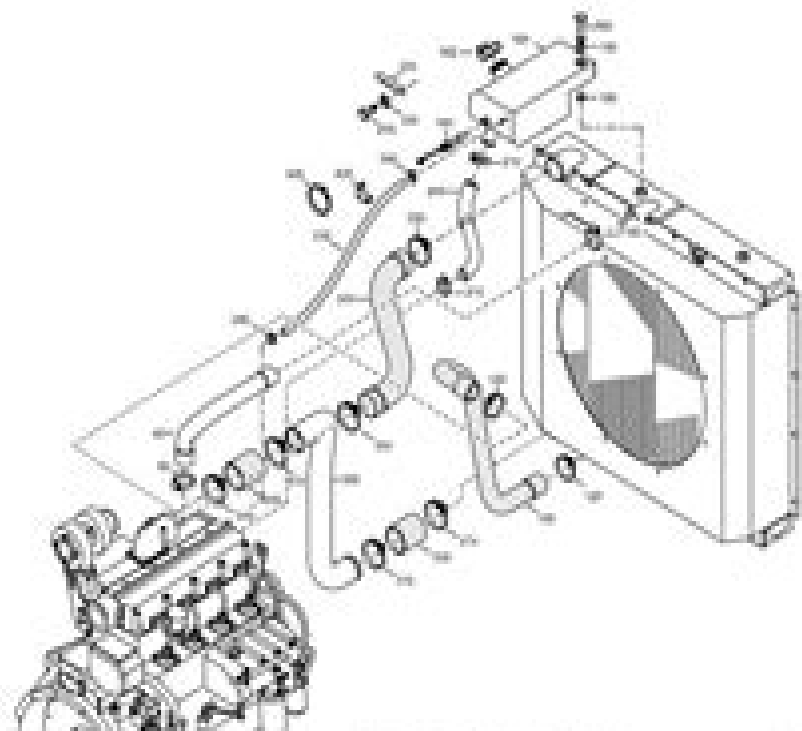


STANDARD

FRONT LOADING



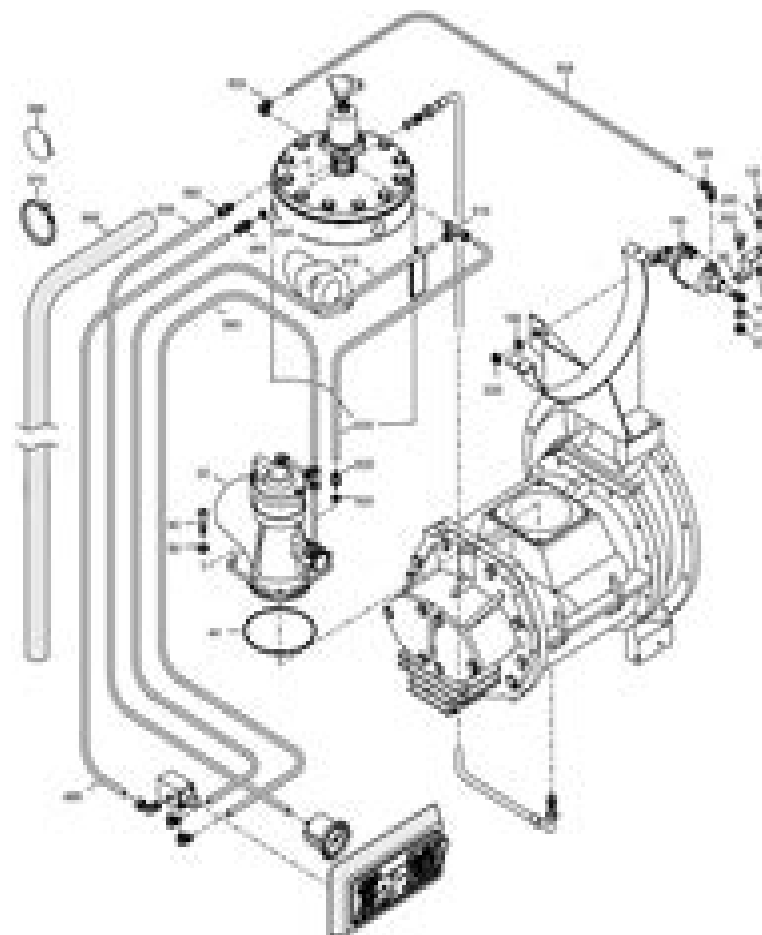
REF.	REF. NUMBER	DESCRIPTION	QTY	REF.	REF. NUMBER	DESCRIPTION	QTY
01	100 0110 01	BOX	1	30	107 010 01	WIRE CLAMP	1
02	107 010 01	WIRE CLAMP	1	31	101 000 01	BRACKET	1
03	100 0114 01	WIRE	1	32	100 100 01	CABLE TIE	1
04	107 010 01	WIRE CLAMP	1				
05	100 0100 01	TOPWALL	1				
06	101 0010 01	Adjustable Feet	4				
07	100 0100 01	LEVEL SWITCH	1				
08	100 1000 01	FLAT WASHER	1				
09	100 0100 01	WATER INLET	1				
10	100 0100 01	BOX	1				
11	107 010 01	WIRE CLAMP	1				
12	107 010 01	WIRE CLAMP	1				
13	107 1010 01	WIRE BRACKET	1				
14	100 1010 01	LOCK TUMBLER	1				
15	100 0010 01	BRACKET	1				
16	071 0010 01	PULB HOSE	1				
17	107 010 01	WIRE CLAMP	1				
18	100 0110 01	WIRE	1				
19	100 0100 01	BOX	1				
20	107 010 01	WIRE CLAMP	1				
21	100 0100 01	WIRE INTERCOOLER	1				

REF. 100 1000 01

10

STANDARD

WASHER DRYER



10

REF. 100 1000 01

Atlas Copco Xas77dd Compressor Parts Manual

Puja Mehta



Atlas Copco Xas77dd Compressor Parts Manual:

Delve into the emotional tapestry woven by Crafted by in Dive into the Emotion of **Atlas Copco Xas77dd Compressor Parts Manual** . This ebook, available for download in a PDF format (PDF Size: *), is more than just words on a page; itis a journey of connection and profound emotion. Immerse yourself in narratives that tug at your heartstrings. Download now to experience the pulse of each page and let your emotions run wild.

<https://recruitmentslovakia.sk/About/book-search/index.jsp/volvo%20penta%20starter%20diagram.pdf>

Table of Contents Atlas Copco Xas77dd Compressor Parts Manual

1. Understanding the eBook Atlas Copco Xas77dd Compressor Parts Manual
 - The Rise of Digital Reading Atlas Copco Xas77dd Compressor Parts Manual
 - Advantages of eBooks Over Traditional Books
2. Identifying Atlas Copco Xas77dd Compressor Parts Manual
 - Exploring Different Genres
 - Considering Fiction vs. Non-Fiction
 - Determining Your Reading Goals
3. Choosing the Right eBook Platform
 - Popular eBook Platforms
 - Features to Look for in an Atlas Copco Xas77dd Compressor Parts Manual
 - User-Friendly Interface
4. Exploring eBook Recommendations from Atlas Copco Xas77dd Compressor Parts Manual
 - Personalized Recommendations
 - Atlas Copco Xas77dd Compressor Parts Manual User Reviews and Ratings
 - Atlas Copco Xas77dd Compressor Parts Manual and Bestseller Lists
5. Accessing Atlas Copco Xas77dd Compressor Parts Manual Free and Paid eBooks
 - Atlas Copco Xas77dd Compressor Parts Manual Public Domain eBooks
 - Atlas Copco Xas77dd Compressor Parts Manual eBook Subscription Services
 - Atlas Copco Xas77dd Compressor Parts Manual Budget-Friendly Options

6. Navigating Atlas Copco Xas77dd Compressor Parts Manual eBook Formats
 - ePub, PDF, MOBI, and More
 - Atlas Copco Xas77dd Compressor Parts Manual Compatibility with Devices
 - Atlas Copco Xas77dd Compressor Parts Manual Enhanced eBook Features
7. Enhancing Your Reading Experience
 - Adjustable Fonts and Text Sizes of Atlas Copco Xas77dd Compressor Parts Manual
 - Highlighting and Note-Taking Atlas Copco Xas77dd Compressor Parts Manual
 - Interactive Elements Atlas Copco Xas77dd Compressor Parts Manual
8. Staying Engaged with Atlas Copco Xas77dd Compressor Parts Manual
 - Joining Online Reading Communities
 - Participating in Virtual Book Clubs
 - Following Authors and Publishers Atlas Copco Xas77dd Compressor Parts Manual
9. Balancing eBooks and Physical Books Atlas Copco Xas77dd Compressor Parts Manual
 - Benefits of a Digital Library
 - Creating a Diverse Reading Collection Atlas Copco Xas77dd Compressor Parts Manual
10. Overcoming Reading Challenges
 - Dealing with Digital Eye Strain
 - Minimizing Distractions
 - Managing Screen Time
11. Cultivating a Reading Routine Atlas Copco Xas77dd Compressor Parts Manual
 - Setting Reading Goals Atlas Copco Xas77dd Compressor Parts Manual
 - Carving Out Dedicated Reading Time
12. Sourcing Reliable Information of Atlas Copco Xas77dd Compressor Parts Manual
 - Fact-Checking eBook Content of Atlas Copco Xas77dd Compressor Parts Manual
 - Distinguishing Credible Sources
13. Promoting Lifelong Learning
 - Utilizing eBooks for Skill Development
 - Exploring Educational eBooks
14. Embracing eBook Trends
 - Integration of Multimedia Elements

- Interactive and Gamified eBooks

Atlas Copco Xas77dd Compressor Parts Manual Introduction

In the digital age, access to information has become easier than ever before. The ability to download Atlas Copco Xas77dd Compressor Parts Manual has revolutionized the way we consume written content. Whether you are a student looking for course material, an avid reader searching for your next favorite book, or a professional seeking research papers, the option to download Atlas Copco Xas77dd Compressor Parts Manual has opened up a world of possibilities. Downloading Atlas Copco Xas77dd Compressor Parts Manual provides numerous advantages over physical copies of books and documents. Firstly, it is incredibly convenient. Gone are the days of carrying around heavy textbooks or bulky folders filled with papers. With the click of a button, you can gain immediate access to valuable resources on any device. This convenience allows for efficient studying, researching, and reading on the go. Moreover, the cost-effective nature of downloading Atlas Copco Xas77dd Compressor Parts Manual has democratized knowledge. Traditional books and academic journals can be expensive, making it difficult for individuals with limited financial resources to access information. By offering free PDF downloads, publishers and authors are enabling a wider audience to benefit from their work. This inclusivity promotes equal opportunities for learning and personal growth. There are numerous websites and platforms where individuals can download Atlas Copco Xas77dd Compressor Parts Manual. These websites range from academic databases offering research papers and journals to online libraries with an expansive collection of books from various genres. Many authors and publishers also upload their work to specific websites, granting readers access to their content without any charge. These platforms not only provide access to existing literature but also serve as an excellent platform for undiscovered authors to share their work with the world. However, it is essential to be cautious while downloading Atlas Copco Xas77dd Compressor Parts Manual. Some websites may offer pirated or illegally obtained copies of copyrighted material. Engaging in such activities not only violates copyright laws but also undermines the efforts of authors, publishers, and researchers. To ensure ethical downloading, it is advisable to utilize reputable websites that prioritize the legal distribution of content. When downloading Atlas Copco Xas77dd Compressor Parts Manual, users should also consider the potential security risks associated with online platforms. Malicious actors may exploit vulnerabilities in unprotected websites to distribute malware or steal personal information. To protect themselves, individuals should ensure their devices have reliable antivirus software installed and validate the legitimacy of the websites they are downloading from. In conclusion, the ability to download Atlas Copco Xas77dd Compressor Parts Manual has transformed the way we access information. With the convenience, cost-effectiveness, and accessibility it offers, free PDF downloads have become a popular choice for students, researchers, and book lovers worldwide. However, it is crucial to engage in ethical downloading practices and prioritize personal security when utilizing online platforms. By doing

so, individuals can make the most of the vast array of free PDF resources available and embark on a journey of continuous learning and intellectual growth.

FAQs About Atlas Copco Xas77dd Compressor Parts Manual Books

What is a Atlas Copco Xas77dd Compressor Parts Manual PDF? A PDF (Portable Document Format) is a file format developed by Adobe that preserves the layout and formatting of a document, regardless of the software, hardware, or operating system used to view or print it. **How do I create a Atlas Copco Xas77dd Compressor Parts Manual PDF?** There are several ways to create a PDF: Use software like Adobe Acrobat, Microsoft Word, or Google Docs, which often have built-in PDF creation tools. Print to PDF: Many applications and operating systems have a "Print to PDF" option that allows you to save a document as a PDF file instead of printing it on paper. Online converters: There are various online tools that can convert different file types to PDF. **How do I edit a Atlas Copco Xas77dd Compressor Parts Manual PDF?** Editing a PDF can be done with software like Adobe Acrobat, which allows direct editing of text, images, and other elements within the PDF. Some free tools, like PDFescape or Smallpdf, also offer basic editing capabilities. **How do I convert a Atlas Copco Xas77dd Compressor Parts Manual PDF to another file format?** There are multiple ways to convert a PDF to another format: Use online converters like Smallpdf, Zamzar, or Adobe Acrobats export feature to convert PDFs to formats like Word, Excel, JPEG, etc. Software like Adobe Acrobat, Microsoft Word, or other PDF editors may have options to export or save PDFs in different formats. **How do I password-protect a Atlas Copco Xas77dd Compressor Parts Manual PDF?** Most PDF editing software allows you to add password protection. In Adobe Acrobat, for instance, you can go to "File" -> "Properties" -> "Security" to set a password to restrict access or editing capabilities. Are there any free alternatives to Adobe Acrobat for working with PDFs? Yes, there are many free alternatives for working with PDFs, such as: LibreOffice: Offers PDF editing features. PDFsam: Allows splitting, merging, and editing PDFs. Foxit Reader: Provides basic PDF viewing and editing capabilities. **How do I compress a PDF file?** You can use online tools like Smallpdf, ILovePDF, or desktop software like Adobe Acrobat to compress PDF files without significant quality loss. Compression reduces the file size, making it easier to share and download. **Can I fill out forms in a PDF file?** Yes, most PDF viewers/editors like Adobe Acrobat, Preview (on Mac), or various online tools allow you to fill out forms in PDF files by selecting text fields and entering information. Are there any restrictions when working with PDFs? Some PDFs might have restrictions set by their creator, such as password protection, editing restrictions, or print restrictions. Breaking these restrictions might require specific software or tools, which may or may not be legal depending on the circumstances and local laws.

Find Atlas Copco Xas77dd Compressor Parts Manual :

[volvo penta starter diagram](#)

earth science guided study workbook answers rocks

the marriage therapist a disciplined wife book english edition

distribution substation single line diagram 11kv 415v

[walther ppk s technical manual](#)

2nd semester chemistry final exam review answers

what does a weather report do

~~n2 diesel mechanic question papers and memoranda~~

1997 sunfire owners manua

suzuki f6a electrical diagram

[how to survive and thrive in the recession of 1991](#)

[356 porsche speedster owner manual](#)

iteration of rational functions x analyt

what does agricultural science paper 1 consist

science revision guide kerboodle

Atlas Copco Xas77dd Compressor Parts Manual :

Spanish 1 Aventura Workbook Answers Pdf Spanish 1 Aventura Workbook Answers Pdf. INTRODUCTION Spanish 1 Aventura Workbook Answers Pdf (Download Only) Aventura 2 Spanish Workbook Answers Teachers Edition Pdf Page 1. Aventura 2 Spanish Workbook Answers Teachers Edition Pdf. INTRODUCTION Aventura 2 Spanish Workbook Answers Teachers Edition Pdf (Download. Only) Aventuras Answer Key book by José Luis Benavides ... Buy a copy of Aventuras Answer Key book by José Luis Benavides, Philip R. Donley, Solivia Marquez. Realidades Practice Workbook 3 - 1st Edition - Solutions ... Our resource for Realidades Practice Workbook 3 includes answers to chapter exercises, as well as detailed information to walk you through the process step by ... Spanish Textbook Solutions & Answers Results 1 - 15 of 204 — Get your Spanish homework done with Quizlet! Browse through thousands of step-by-step solutions to end-of-chapter questions from the ... Autentico Spanish 1 Workbook Answers Autentico Spanish 1 Workbook Answers. Autentico Spanish 1 Workbook Answers Some of the worksheets for this concept are Holt spanish 1 expresate workbook ... Spanish 2 Workbook Answers Spanish 2 Workbook Answers. Spanish 2 Workbook Answers Asi se dice! 2: Workbook and Audio Activities. Find step-by-step

solutions and answers to Prentice ... TRX Going Digital - TRX Training Feb 7, 2022 — This will enable participants to digitally interact with our education manuals, as well making our manuals more portable and easily accessible. TRX - Basic Training Quickstart & Workout Guide. Fitness Anywhere. Make your body your machine. Page 2. DOWNLOAD. PDF. Adobe. Español Italiano. Deutsch Français www.fitnessanywhere. Trying to find exercise guides : r/trx Hey all, I was just gifted a trx system, but am having trouble finding an exercise poster or a good place where I can learn/see proper ... Accessory - Xmount - TRX system www.fitnessanywhere.com/manuals. DOWNLOAD. Español Italiano. Deutsch. PDF. Xmount ... or beam above an 8' x 6' flat exercise surface (as shown). This placement. Assembly and Owner's manuals BowFlex C7 Bike, Assembly & Owner's Manual Service Manual · BowFlex® Blaze Assembly Manual Owner's Manual · BowFlex BodyTower Assembly Manual Owner's Manual. Amazon.com: Trx Book ... Fitness Guide to Training Exercises at Home or Gym (Suspension, Vol 1) · 4.6 ... Italian · Dutch · Portuguese. Condition. New · Used. Availability. Include Out of ... □ powrlink Sensor - Making fitness measurable The revolutionary strength tracker that automatically records your workouts. Makes your fitness measurable and gives unique insights into your workout. Free app ... Zubehör Der Benutzer trägt das Risiko und haftet für die Benutzung dieses Produkts. ! www.fitnessanywhere.com/manuals. DoWnLoAd. Español Italiano. Deutsch. PDF. TRX Quick Start Manual | PDF | Foot | Door sport-specific workout DVDs, and training guides. www.fitnessanywhere.com. 13 ... Italiano · Română · Bahasa Indonesia. Learn more. Copyright © 2023 Scribd Inc. STC Manual | PDF | Physical Fitness | Foot SUSPENSION TRAINING. COURSE GUIDE. Personal Use Only - Do Not Copy. ®. The TRX Foundational Movement Training System is designed to improve how fitness ... portable air conditioner IDYLISR. Lowes.com. 11. Page 12. OPERATING INSTRUCTIONS. AUTO-TIMER: While the Air Conditioner is in OFF/Standby Mode (Auto - On):. 1) Press the Timer button ... IDYLIS 625616 USER MANUAL Pdf Download View and Download Idylis 625616 user manual online. 625616 air conditioner pdf manual download. Idylis 625616 Manuals Manuals and User Guides for Idylis 625616. We have 1 Idylis 625616 manual available for free PDF download: User Manual. IDYLIS 0530393 Portable Air Conditioner with Heater User ... Mar 24, 2021 — This user manual provides comprehensive instructions for the IDYLIS 0530393 Portable Air Conditioner with Heater. IDYLIS Manuals - Manuals+ This user manual provides comprehensive instructions for the IDYLIS 0530393 Portable Air Conditioner with Heater. Learn about the package contents, safety ... Idylis #0530393 Portable Air Conditioner User manual View online or download PDF (2 MB) Idylis #0530393 Portable Air Conditioner User manual • #0530393 Portable Air Conditioner PDF manual download and more ... Idylis Pportable Air Conditioner 416709 Manual in 2023 Idylis 416709 User Manual View and Read online. OPERATING INSTRUCTIONS. AIR CONDITIONING. DRAINING EXCESS WATER. REPLACEMENT PARTS LIST. Idylis 625616 User's Manual Read and download Idylis Air Conditioners 625616 User's Manual online. Download free Idylis user manuals, owners manuals, instructions, warranties and ... Idylis Portable Air Conditioner Manual Idylis Portable Air Conditioner Manual. Idylis Portable Air Conditioner ManualIdylis Air Purifier : Official Info Site. Attach the included hose (4'

11") ...