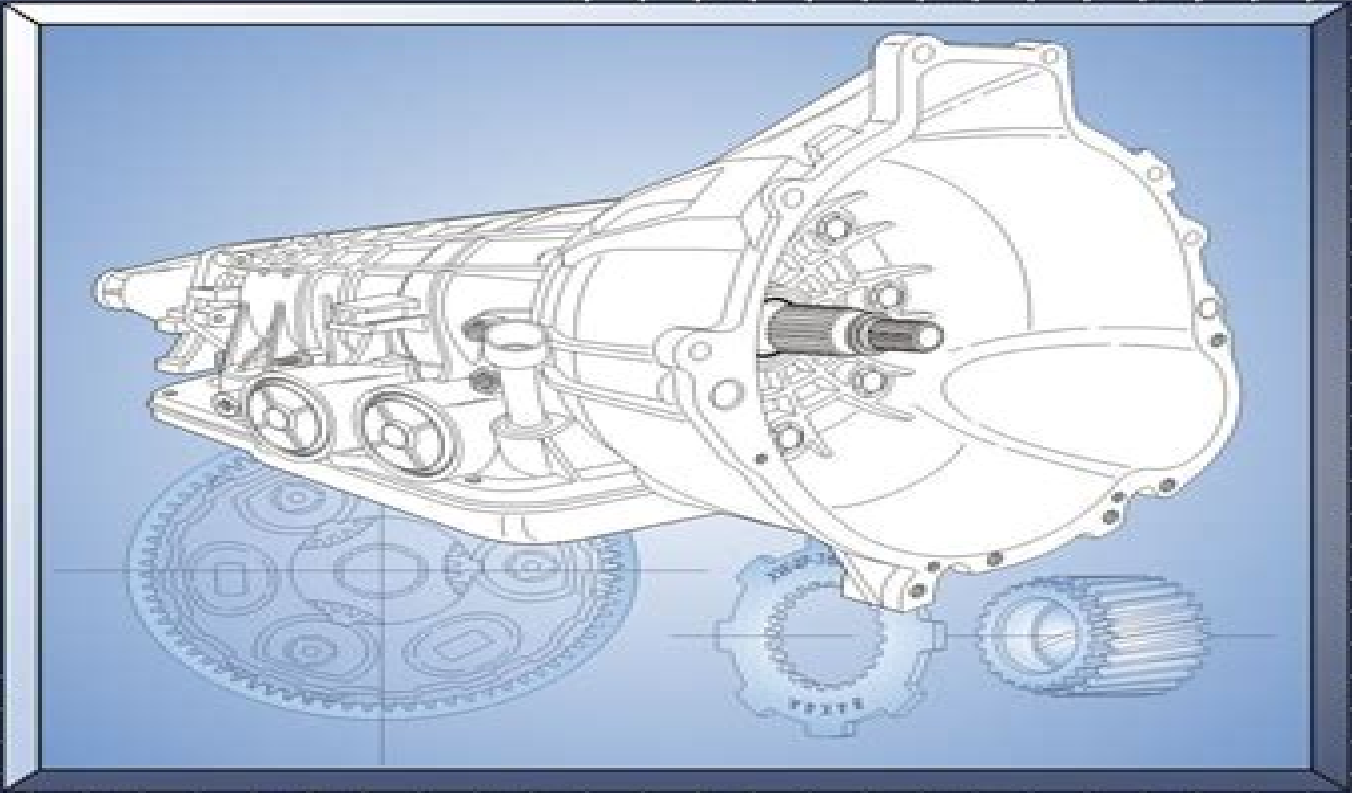




FORD MOTOR CO.
TECHTRAN™ MANUAL

**F
R
A
A
E** | **F
R
S
S
E**



AUTOMATIC TRANSMISSION SERVICE GROUP

Atsg Ford A4ld Techtran Transmission Manual

Wolfgang Guggemos



Atsg Ford A4ld Techtran Transmission Manual:

A4LD Automatic Transmission Reference Manual ,1993 *A4LD Automatic Transmission-- Operation and Diagnosis* Ford Motor Company. Parts and Service Division. Training and Publications Department,1984 [A4LD Automatic Transmission-- Disassembly and Assembly](#) Ford Motor Company. Parts and Service Division. Training and Publications Department,1984 *Ford ATX Techtran Manual* ,1991 **Ford Automatic Transmission Overhaul** John Haynes,2001-10-13 Covers rear wheel drive models C3 C4 C5 C6 and AOD and front wheel drive models ATX FLC and AXOD Included are the fundamentals diagnosis techniques and modifications **Transmission Repair Book Ford 1960 to 2007** Max Ellery,2003-05-01 Automatic AOD BW 35 40 LE85 91 93 95 97 C4 C5 C6 C9 C10 FMX and M51 Manual 3 speed 4 speed and 5 speed single rail Top Loader T5 and M57 Step by step instructions for a pull down and rebuild Includes specifications torque settings problem diagnosis shift speeds plus more information This book is from an Australian publisher and covers both American and Australian applications

Immerse yourself in heartwarming tales of love and emotion with its touching creation, **Atsg Ford A4ld Techtran Transmission Manual** . This emotionally charged ebook, available for download in a PDF format (Download in PDF: *), is a celebration of love in all its forms. Download now and let the warmth of these stories envelop your heart.

https://recruitmentslovakia.sk/results/browse/Documents/x25xe_service_manual.pdf

Table of Contents Atsg Ford A4ld Techtran Transmission Manual

1. Understanding the eBook Atsg Ford A4ld Techtran Transmission Manual
 - The Rise of Digital Reading Atsg Ford A4ld Techtran Transmission Manual
 - Advantages of eBooks Over Traditional Books
2. Identifying Atsg Ford A4ld Techtran Transmission Manual
 - Exploring Different Genres
 - Considering Fiction vs. Non-Fiction
 - Determining Your Reading Goals
3. Choosing the Right eBook Platform
 - Popular eBook Platforms
 - Features to Look for in an Atsg Ford A4ld Techtran Transmission Manual
 - User-Friendly Interface
4. Exploring eBook Recommendations from Atsg Ford A4ld Techtran Transmission Manual
 - Personalized Recommendations
 - Atsg Ford A4ld Techtran Transmission Manual User Reviews and Ratings
 - Atsg Ford A4ld Techtran Transmission Manual and Bestseller Lists
5. Accessing Atsg Ford A4ld Techtran Transmission Manual Free and Paid eBooks
 - Atsg Ford A4ld Techtran Transmission Manual Public Domain eBooks
 - Atsg Ford A4ld Techtran Transmission Manual eBook Subscription Services
 - Atsg Ford A4ld Techtran Transmission Manual Budget-Friendly Options
6. Navigating Atsg Ford A4ld Techtran Transmission Manual eBook Formats

- ePub, PDF, MOBI, and More
 - Atsg Ford A4ld Techtran Transmission Manual Compatibility with Devices
 - Atsg Ford A4ld Techtran Transmission Manual Enhanced eBook Features
7. Enhancing Your Reading Experience
 - Adjustable Fonts and Text Sizes of Atsg Ford A4ld Techtran Transmission Manual
 - Highlighting and Note-Taking Atsg Ford A4ld Techtran Transmission Manual
 - Interactive Elements Atsg Ford A4ld Techtran Transmission Manual
 8. Staying Engaged with Atsg Ford A4ld Techtran Transmission Manual
 - Joining Online Reading Communities
 - Participating in Virtual Book Clubs
 - Following Authors and Publishers Atsg Ford A4ld Techtran Transmission Manual
 9. Balancing eBooks and Physical Books Atsg Ford A4ld Techtran Transmission Manual
 - Benefits of a Digital Library
 - Creating a Diverse Reading Collection Atsg Ford A4ld Techtran Transmission Manual
 10. Overcoming Reading Challenges
 - Dealing with Digital Eye Strain
 - Minimizing Distractions
 - Managing Screen Time
 11. Cultivating a Reading Routine Atsg Ford A4ld Techtran Transmission Manual
 - Setting Reading Goals Atsg Ford A4ld Techtran Transmission Manual
 - Carving Out Dedicated Reading Time
 12. Sourcing Reliable Information of Atsg Ford A4ld Techtran Transmission Manual
 - Fact-Checking eBook Content of Atsg Ford A4ld Techtran Transmission Manual
 - Distinguishing Credible Sources
 13. Promoting Lifelong Learning
 - Utilizing eBooks for Skill Development
 - Exploring Educational eBooks
 14. Embracing eBook Trends
 - Integration of Multimedia Elements
 - Interactive and Gamified eBooks

Atsg Ford A4ld Techtran Transmission Manual Introduction

Atsg Ford A4ld Techtran Transmission Manual Offers over 60,000 free eBooks, including many classics that are in the public domain. Open Library: Provides access to over 1 million free eBooks, including classic literature and contemporary works. Atsg Ford A4ld Techtran Transmission Manual Offers a vast collection of books, some of which are available for free as PDF downloads, particularly older books in the public domain. Atsg Ford A4ld Techtran Transmission Manual : This website hosts a vast collection of scientific articles, books, and textbooks. While it operates in a legal gray area due to copyright issues, its a popular resource for finding various publications. Internet Archive for Atsg Ford A4ld Techtran Transmission Manual : Has an extensive collection of digital content, including books, articles, videos, and more. It has a massive library of free downloadable books. Free-eBooks Atsg Ford A4ld Techtran Transmission Manual Offers a diverse range of free eBooks across various genres. Atsg Ford A4ld Techtran Transmission Manual Focuses mainly on educational books, textbooks, and business books. It offers free PDF downloads for educational purposes. Atsg Ford A4ld Techtran Transmission Manual Provides a large selection of free eBooks in different genres, which are available for download in various formats, including PDF. Finding specific Atsg Ford A4ld Techtran Transmission Manual, especially related to Atsg Ford A4ld Techtran Transmission Manual, might be challenging as theyre often artistic creations rather than practical blueprints. However, you can explore the following steps to search for or create your own Online Searches: Look for websites, forums, or blogs dedicated to Atsg Ford A4ld Techtran Transmission Manual, Sometimes enthusiasts share their designs or concepts in PDF format. Books and Magazines Some Atsg Ford A4ld Techtran Transmission Manual books or magazines might include. Look for these in online stores or libraries. Remember that while Atsg Ford A4ld Techtran Transmission Manual, sharing copyrighted material without permission is not legal. Always ensure youre either creating your own or obtaining them from legitimate sources that allow sharing and downloading. Library Check if your local library offers eBook lending services. Many libraries have digital catalogs where you can borrow Atsg Ford A4ld Techtran Transmission Manual eBooks for free, including popular titles. Online Retailers: Websites like Amazon, Google Books, or Apple Books often sell eBooks. Sometimes, authors or publishers offer promotions or free periods for certain books. Authors Website Occasionally, authors provide excerpts or short stories for free on their websites. While this might not be the Atsg Ford A4ld Techtran Transmission Manual full book , it can give you a taste of the authors writing style. Subscription Services Platforms like Kindle Unlimited or Scribd offer subscription-based access to a wide range of Atsg Ford A4ld Techtran Transmission Manual eBooks, including some popular titles.

FAQs About Atsg Ford A4ld Techtran Transmission Manual Books

How do I know which eBook platform is the best for me? Finding the best eBook platform depends on your reading preferences and device compatibility. Research different platforms, read user reviews, and explore their features before making a choice. Are free eBooks of good quality? Yes, many reputable platforms offer high-quality free eBooks, including classics and public domain works. However, make sure to verify the source to ensure the eBook credibility. Can I read eBooks without an eReader? Absolutely! Most eBook platforms offer web-based readers or mobile apps that allow you to read eBooks on your computer, tablet, or smartphone. How do I avoid digital eye strain while reading eBooks? To prevent digital eye strain, take regular breaks, adjust the font size and background color, and ensure proper lighting while reading eBooks. What the advantage of interactive eBooks? Interactive eBooks incorporate multimedia elements, quizzes, and activities, enhancing the reader engagement and providing a more immersive learning experience. Atsg Ford A4ld Techtran Transmission Manual is one of the best book in our library for free trial. We provide copy of Atsg Ford A4ld Techtran Transmission Manual in digital format, so the resources that you find are reliable. There are also many Ebooks of related with Atsg Ford A4ld Techtran Transmission Manual. Where to download Atsg Ford A4ld Techtran Transmission Manual online for free? Are you looking for Atsg Ford A4ld Techtran Transmission Manual PDF? This is definitely going to save you time and cash in something you should think about.

Find Atsg Ford A4ld Techtran Transmission Manual :

[x25xe service manual](#)

used toyota fj manual transmission

~~key of knowledge the key trilogy 2~~

takeuchi tb1140 hydraulic excavator service repair manual

renault twingo manual user

raise the seats in a sonata

4th grade texas history foldables

~~be my guest by conrad n hilton~~

~~used toyota corolla sale owner~~

2014 results for crct in hall county

x2 premium hd manual

[355 frick service manual](#)

how to survive and prosper a guidebook for christian men
value line report for stocks

fundamentals of accounting application course

Atsg Ford A4ld Techtran Transmission Manual :

das kleine waldhotel band 02 ein winterwunder für mona maus - Aug 15 2023

web das kleine waldhotel band 02 ein winterwunder für mona maus george kallie graegin stephanie viseneber karolin isbn 9783505141515 kostenloser versand für alle bücher mit versand und verkauf duch amazon

das kleine waldhotel band 02 ein winterwunder für mona maus - Jun 13 2023

web endlich hat mona maus ein richtiges zuhause gefunden das kleine waldhotel jetzt im winter beherbergt das hotel viele winterschlaf gäste und auch für das zimmermädchen beginnt die gemütliche jahreszeit doch während immer mehr schnee im farnwald fällt schrumpfen auf mysteriöse weise die futternvorräte wer beklaut das waldhotel

das kleine waldhotel band 02 ein winterwunder für mona maus - Aug 03 2022

web das kleine waldhotel band 02 ein winterwunder für mona maus de george kallie en iberlibro com isbn 10 3505141518 isbn 13 9783505141515 schneiderbuch 2018 tapa dura

das kleine waldhotel band 02 ein winterwunder für mona maus amazon de - Mar 10 2023

web das kleine waldhotel band 02 ein winterwunder für mona maus george kallie graegin stephanie viseneber karolin amazon de books

das kleine waldhotel band 02 ein winterwunder für mona maus - Apr 11 2023

web endlich hat mona maus ein richtiges zuhause gefunden das kleine waldhotel jetzt im winter beherbergt das hotel viele winterschlaf gäste und auch für das zimmermädchen beginnt die gemütliche jahreszeit doch während immer mehr schnee im farnwald fällt schrumpfen auf mysteriöse weise die futternvorräte

ein winterwunder für mona maus das kleine waldhotel 2 - Jan 08 2023

web ein winterwunder für mona maus das kleine waldhotel 2 audible hörbuch ungekürzte ausgabe kallie george autor andreas fröhlich erzähler 1 mehr 180 sternbewertungen kinderbuchtipps alle formate und editionen anzeigen kindle 10 99 lies mit kostenfreien app hörbuch 0 00 gratis im audible probemonat

das kleine waldhotel band 02 gebraucht kaufen rebuy - Feb 26 2022

web startseite bücher kinder und jugendbücher kinderbücher bis 11 jahre das kleine waldhotel band 02 39 das kleine waldhotel band 02 kallie george zustand mehr info preise sind endpreise zzgl versandkosten wie neu derzeit nicht verfügbar sehr gut 7 29 spare 39 gegenüber neuware mehr info schont

das kleine waldhotel band 02 ein winterwunder für mona maus - Apr 30 2022

web sep 6 2018 das kleine waldhotel band 02 ein winterwunder für mona maus von kallie george beschreibung endlich hat mona maus ein richtiges zuhause gefunden das kleine waldhotel jetzt im winter beherbergt das hotel viele winterschlaf gäste und auch für das zimmermädchen beginnt die gemütliche jahreszeit

das kleine waldhotel band 02 von kallie george bücher orell - Nov 06 2022

web jetzt online bestellen heimlieferung oder in filiale das kleine waldhotel band 02 ein winterwunder für mona maus von kallie george orell füssli der buchhändler ihres vertrauens

das kleine waldhotel ein winterwunder für mona maus - Jul 02 2022

web mona die maus hat endlich ein zuhause gefunden das kleine waldhotel in dem sie als zimmermädchen arbeitet und gemeinsam mit eichhörnchen tilda einen gemütlichen raum bewohnt nachdem die meisten gäste nach dem herbstfest das hotel verlassen haben freut sich das personal endlich auf einen ruhigen winter

das kleine waldhotel band 02 ein winterwunder für mona maus - Mar 30 2022

web das kleine waldhotel band 02 ein winterwunder für mona maus german edition ebook george kallie graegin stephanie viseneber karolin amazon es tienda kindle

amazon de kundenrezensionen das kleine waldhotel band 02 ein - Oct 05 2022

web das kleine waldhotel band 02 ein winterwunder für mona maus von kallie george rezeption schreiben so funktionieren kundenrezensionen und bewertungen alle kaufoptionen anzeigen melde dich an um bewertungen zu filtern 186 gesamtbewertungen 18 mit rezeptionen aus deutschland amazon kunde schönes

downloadable free pdfs das kleine waldhotel band 02 ein winterwunder - Dec 27 2021

web aug 26 2023 it is your totally own times to show reviewing habit in the course of guides you could enjoy now is das kleine waldhotel band 02 ein winterwunder fur pdf below the sun sister lucinda riley 2019 10 31 from the frenetic atmosphere of manhattan to the magnificent wide open plains of africa the sun sister is the

das kleine waldhotel band 02 roman schneiderbuch kinder - Sep 04 2022

web endlich hat mona maus ein richtiges zuhause gefunden das kleine waldhotel jetzt im winter beherbergt das hotel viele winterschlaf gäste und auch für das zimmermädchen beginnt die gemütliche jahreszeit doch während immer mehr schnee im farnwald fällt schrumpfen auf mysteriöse weise die futtermittel wer beklaut d

das kleine waldhotel band 02 thalia - Jul 14 2023

web beschreibung endlich hat mona maus ein richtiges zuhause gefunden das kleine waldhotel jetzt im winter beherbergt das hotel viele winterschlaf gäste und auch für das zimmermädchen beginnt die gemütliche jahreszeit doch während immer mehr schnee im farnwald fällt weiterlesen details einband gebundene ausgabe altersempfehlung

das kleine waldhotel band 02 lesehelden ch - Jun 01 2022

web das kleine waldhotel band 02 ein winterwunder für mona maus von george kallie endlich hat mona maus ein richtiges zuhause gefunden das kleine waldhotel jetzt im winter beherbergt das hotel viele winterschlaf gäste und auch für das zimmermädchen beginnt die gemütliche jahreszeit

das kleine waldhotel band 02 ein winterwunder für mona maus - May 12 2023

web das kleine waldhotel band 02 ein winterwunder für mona maus george kallie amazon com tr kitap

das kleine waldhotel band 02 overdrive - Feb 09 2023

web sep 6 2018 endlich hat mona maus ein richtiges zuhause gefunden das kleine waldhotel jetzt im winter beherbergt das hotel viele winterschlaf gäste und auch für das zimmermädchen beginnt die gemütliche jahreszeit doch während immer mehr schnee im farnwald fällt schrumpfen auf mysteriöse weise die futtervorräte wer beklaut das

das kleine waldhotel ein winterwunder für mona maus - Dec 07 2022

web das kleine waldhotel ein winterwunder für mona maus george kallie fröhlich andreas viseneber karolin amazon de bücher bücher kinderbücher belletristik neu bestellen sie jetzt und wir liefern sobald der artikel verfügbar ist

das kleine waldhotel band 01 ein zuhause für mona maus amazon de - Jan 28 2022

web literaturgeschichte kritik 10 99 sofort verfügbar hörbuch 0 00 im probeabo gebundenes buch 12 00 neu 12 00

preisangaben inkl ust abhängig von der lieferadresse kann die ust an der kasse variieren weitere informationen kostenfreie retouren samstag 26 august oder schnellste lieferung freitag 25 august

six not so easy pieces einstein s relativity symmetry - Aug 16 2023

web i enjoyed taking a soft dive into the twelve chapters presented in the 2 short books six easy pieces and six not so easy pieces it gave me some insight and curiosity but also an understanding of the need to look into and get updated on

six not so easy pieces einstein s relativity symmetry and - Jun 14 2023

web mar 22 2011 in six not so easy pieces taken from these famous lectures on physics feynman delves into one of the most revolutionary discoveries in twentieth century physics einstein s theory

six not so easy pieces einstein s relativity symmetry and - May 13 2023

web six not so easy pieces einstein s relativity symmetry and space time kapak değışebilir sands matthew feynman richard leighton robert amazon com tr kitap

six not so easy pieces einstein s relativity symmetry and - Apr 12 2023

web taken from his celebrated caltech lectures six not so easy pieces is more challenging in its content than the previous volume six easy pieces penguin 1998 providing an exhilarating

six not so easy pieces einstein s relativity symmetry and space time - Dec 28 2021

web these six not so easy pieces are drawn from feynman s celebrated introductory course of lectures on physics they delve into the most revolutionary discovery of twentieth century physics einstein s theory of relativity

six not so easy pieces einstein s relativity symmetry and space time - Mar 11 2023

web buy six not so easy pieces einstein s relativity symmetry and space time 4 by sands matthew feynman richard leighton robert isbn 9780465025268 from amazon s book store everyday low prices and free delivery on eligible orders

buy six not so easy pieces einstein s relativity symmetry and - Jun 02 2022

web apr 6 2005 amazon in buy six not so easy pieces einstein s relativity symmetry and space time book online at best prices in india on amazon in read six not so easy pieces einstein s relativity symmetry and space time book reviews author details and more at amazon in free delivery on qualified orders

six not so easy pieces amazon com - Aug 04 2022

web paperback 10 79 36 used from 3 50 23 new from 10 79 learn about einstein s theory of relativity from a physics nobel laureate and one of the greatest minds of the twentieth century new york review of books in six memorable lessons it was richard feynman s outrageous and scintillating method of teaching that earned him legendary status

six not so easy pieces by richard phillips feynman open library - Nov 07 2022

web mar 22 2022 six not so easy pieces einstein s relativity symmetry and space time by richard phillips feynman 3 67 3 ratings 47 want to read 4 currently reading 5 have read

six not so easy pieces einstein s relativity symmetry and - Sep 05 2022

web six not so easy pieces einstein s relativity symmetry and space time richard p feynman robert b leighton matthew sands downloads 8 lists stats technical details support authors if you like this and can afford it consider buying the original or supporting the authors directly

six not so easy pieces einstein s relativity symmetry and space - Jan 09 2023

web six not so easy pieces einstein s relativity symmetry and space time author richard p feynman summary six lectures all regarding the most revolutionary discovery in twentieth century physics einstein s theory of relativity

six not so easy pieces einstein s relativity symmetry - Feb 27 2022

web in six not so easy pieces taken from these famous lectures on physics feynman delves into one of the most revolutionary discoveries in twentieth century einstein s theory of relativity

table of contents six not so easy pieces university of chicago - Jul 03 2022

web six not so easy pieces einstein s relativity symmetry and space time by feynman richard p richard phillips 1918 1988 published 1997 einstein s relativity and beyond new symmetry approaches by hsu j p jong ping published 2000

six not so easy pieces einstein s relativity barnes noble - Mar 31 2022

web mar 22 2011 learn about einstein s theory of relativity from a physics nobel laureate and one of the greatest minds of the twentieth century new york review of books in six memorable lessons it was richard feynman s outrageous and scintillating method of teaching that earned him legendary status among students and professors of physics

six not so easy pieces einstein s relativity symmetry and space time - Oct 06 2022

web six not so easy pieces einstein s relativity symmetry and space time helix books ebook feynman richard p leighton robert b sands matthew amazon co uk kindle store

six not so easy pieces einstein s relativity symmetry and space time - May 01 2022

web in six not so easy pieces taken from these famous lectures feynman delves into one of the most revolutionary discoveries in twentieth century physics einstein s theory of relativity

six not so easy pieces einstein s relativity symmetry and space time - Dec 08 2022

web mar 22 2011 six not so easy pieces einstein s relativity symmetry and space time helix books kindle edition by feynman richard p leighton robert b sands matthew download it once and read it on your kindle device pc phones or tablets

six not so easy pieces einstein s relativity symme - Feb 10 2023

web six not so easy pieces einstein s relativity symme albert einstein s theory of relativity sep 23 2020 understand how einstein came to write the most famous equation in history and see how the world was changed forever broken into 10 bite sized chapters this step by step journey through einstein s mind takes his original manuscripts and

six not so easy pieces google books - Jan 29 2022

web mar 22 2011 richard p feynman robert b leighton matthew sands basic books mar 22 2011 science 184 pages learn about einstein s theory of relativity from a physics nobel laureate and one of

six not so easy pieces einstein s relativity symmetry and space - Jul 15 2023

web six not so easy pieces einstein s relativity symmetry and space time by feynman richard phillips publication date 1997 topics symmetry physics special relativity physics space and time publisher reading mass addison wesley pub

iso 128 technical drawings book cyberlab sutd edu sg - Jan 14 2023

web technical drawings jul 01 2022 iso 128 1 2003 gives general rules for the execution of technical drawings as well as presenting the structure of and an index for the other parts of iso 128 in all iso 128 specifies the graphical representation of objects on technical drawings with the aim of facilitating the international exchange of

international standard 128 1 archive org - Sep 10 2022

web part of iso 128 is applicable to all kinds of technical drawings including for example those used in mechanical engineering and construction architectural civil engineering shipbuilding etc

iso 128 40 2001 en technical drawings general principles of - Dec 01 2021

web iso 128 consists of the following parts under the general title technical drawings general principles of presentation part 1 introduction and index part 20 basic conventions for lines part 21 preparation of lines by cad systems part 22 basic conventions and applications for leader lines and reference lines

iso 128 24 2014 en technical drawings general principles of - Mar 16 2023

web iso 128 50 2001 technical drawings general principles of presentation part 50 basic conventions for representing areas on cuts and sections iso 129 1 technical drawings indication of dimensions and tolerances part 1 general principles iso 1101 2012 geometrical product specifications gps

iso 128 44 2001 en technical drawings general principles of - Jan 02 2022

web iso 128 consists of the following parts under the general title technical drawings general principles of presentation part 20 basic convention for lines part 21 preparation of lines by cad systems part 22 basic conventions and applications for leader lines and reference lines part 23 lines on construction drawings

iso 128 explained - Apr 05 2022

web iso 128 explained iso 128 is an international standard iso about the general principles of presentation in technical drawings specifically the graphical representation of objects on technical drawings overview since 2003 the iso 128 standard contains fifteen parts which were initiated between 1996 and 2003 it starts with a summary of the general

iso 128 wikipedia pdf technical drawing scribd - Jun 07 2022

web iso 128 is an international standard iso about the general principles of presentation in technical drawings specifically the graphical representation of objects on technical drawings 1 overview fsince 2003 the iso 128 standard contains fifteen parts which were initiated between 1996 and 2003 it starts with a summary

iso 128 wikipedia - Jul 20 2023

web iso 128 is an international standard iso about the general principles of presentation in technical drawings specifically the graphical representation of objects on technical drawings 1 overview since 2003 the iso 128 standard contains fifteen parts which were initiated between 1996 and 2003

iso 128 34 2001 en technical drawings general principles of - Feb 03 2022

web iso 128 consists of the following parts under the general title technical drawings general principles of presentation part 1 introduction and index part 20 basic conventions for lines part 21 preparation of lines by cad systems part 22 basic conventions and applications for leader lines and reference lines

iso 128 1 2003 technical drawings general principles of - Oct 23 2023

web iso 128 1 2003 is applicable to all kinds of technical drawings including for example those used in mechanical engineering and construction architectural civil engineering shipbuilding etc it is applicable to both manual and computer

based drawings

iso 128 1 2003 en standard eu - May 06 2022

web in all iso 128 specifies the graphical representation of objects on technical drawings with the aim of facilitating the international exchange of information on drawings and ensuring their uniformity in a comprehensive system relating to several technical functions iso 128 1 2003 is applicable to all kinds of technical drawings including

iso 128 pdf technical drawing architectural communication - Jul 08 2022

web iso 128 uploaded by roma roman iso 128 is an international standard iso about the general principles of presentation in technical drawings it describes basic conventions for lines views cuts and sections and different types of engineering drawings

iso 128 1 2020 technical product documentation tpd - Sep 22 2023

web this document gives general rules for the execution of technical drawings 2d and 3d as well as presenting the structure of the other parts of the iso 128 series this document is applicable to technical drawing in the fields of mechanical engineering construction architecture and shipbuilding

iso dis 128 1 en technical product documentation tpd - Feb 15 2023

web in all iso 128 specifies the graphical representation of objects on technical drawings with the aim of facilitating the international exchange of information on drawings and ensuring their uniformity in a comprehensive system

international iso standard 128 1 - Aug 21 2023

web technical drawings 2d and 3d are a specific type of communication technical drawings follow the rules of iso tc 10 and shall conform with the following principles a unambiguous and clear a technical drawing shows the end condition of the represented object for a specific function

iso 128 34 2001 technical drawings general principles of - Mar 04 2022

web technical drawings general principles of presentation part 34 views on mechanical engineering drawings status withdrawn this standard iso 128 3 2020 abstract this part of iso 128 specifies rules for the presentation of views

technical drawings general principles of presentation ansi - Dec 13 2022

web technical drawings general principles of presentation part 24 lines on mechanical engineering drawings dessins techniques principes généraux de représentation partie 24 traits utilisés pour les dessins industriels international standard iso 128 24 second edition 2014 02 15 reference number iso 128 24 2014 e

iso 128 23 1999 en technical drawings general principles of - Nov 12 2022

web iso 128 consists of the following parts under the general title technical drawings general principles of presentation part 20 basic conventions for lines part 21 preparation of lines by cad systems part 22 basic conventions and applications for

leader lines and reference lines part 23 lines on construction drawings

iso 128 23 1999 technical drawings general principles of - Apr 17 2023

web this part of iso 128 specifies types of lines and their application in construction documentation comprising architectural drawings structural engineering drawings building service engineering drawings civil engineering drawings landscape drawings and town planning drawings

iso 128 1 2020 en technical product documentation tpd - Jun 19 2023

web this document gives general rules for the execution of technical drawings 2d and 3d as well as presenting the structure of the other parts of the iso 128 series this document is applicable to technical drawing in the fields of mechanical engineering construction architecture and shipbuilding

iso 128 wikiwand - Aug 09 2022

web iso 128 is an international standard about the general principles of presentation in technical drawings specifically the graphical representation of objects on technical drawings introduction iso 128 overview composition of iso 128 withdrawn parts other iso standards related to technical drawing see also references iso 128

technical drawings general principles of presentation iteh - Oct 11 2022

web technical drawings general principles of presentation lines on mechanical engineering drawings scope engineering part of iso drawings 128 specifies general rules and basic conventions for the types of lines on mechanical 2 normative references

iso 128 1 2003 en technical drawings general principles of - May 18 2023

web in all iso 128 specifies the graphical representation of objects on technical drawings with the aim of facilitating the international exchange of information on drawings and ensuring their uniformity in a comprehensive system relating to several technical functions