

CYLINDER HEAD

3.22

DISASSEMBLY

PART NUMBER	TOOL NAME
HD-34736-B	VALVE SPRING COMPRESSOR
HD-39786	CYLINDER HEAD HOLDING FIXTURE

1. Before proceeding with the disassembly procedure, determine if valve reconditioning is necessary.
 - a. Raise valve ports of cylinder head to strong light source. If light is visible between valves and seats, the cylinder head and valves require reconditioning.
 - b. Fill ports with solvent. Wait ten full seconds and check for leakage past valve seats. Recondition cylinder heads and valves that leak.
2. See [Figure 3-41](#). Secure cylinder head for service.
 - a. Thread 12 mm end of CYLINDER HEAD HOLDING FIXTURE (Part No. HD-39786) (1) into cylinder head (2) spark plug hole.
 - b. Clamp tool in vise at a 45 degree angle or one that offers a comfortable working position.

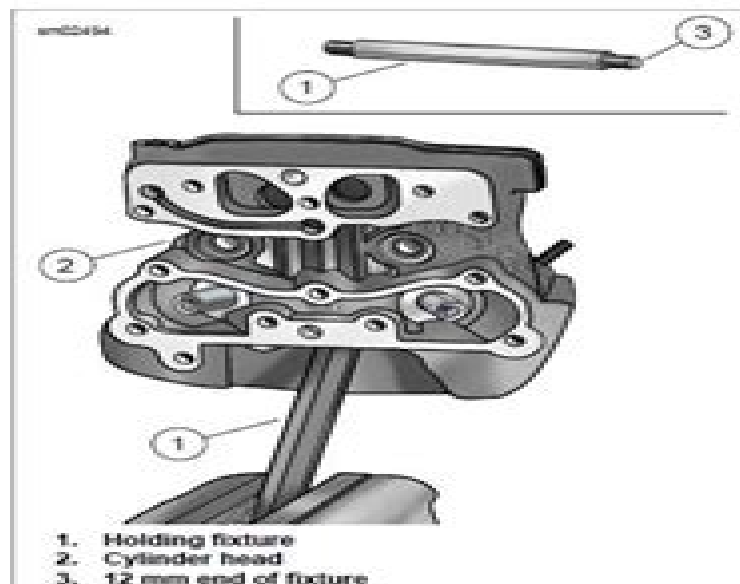


Figure 3-41. Cylinder Head Holding Fixture

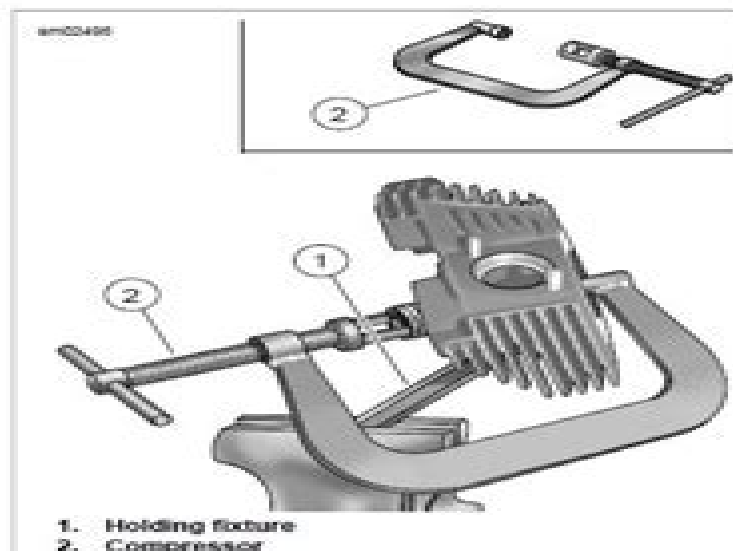


Figure 3-42. Valve Spring Compressor

3. See [Figure 3-42](#). Release valve spring compression.
 - a. Place VALVE SPRING COMPRESSOR (Part No. HD-34736-B) (2) over cylinder head. Center blunt end on the valve head. Seat adapter at end of forcing screw on the valve spring retainer.
 - b. Rotate forcing screw to compress valve spring.
 - c. See [Figure 3-43](#). If spring retainer (2) is not free of tapered keepers (1), give head of tool a sharp tap with a soft mallet. Using magnetic rod or small screwdriver, remove the keepers (1) from the valve stem (11) groove.
 - d. Rotate forcing screw to release the valve spring compression.
4. Remove the spring retainer (2) and valve spring (3).
5. Slide the valve (11) from the valve guide (5).
6. Remove valve seal assembly.
7. Mark the valve head F(ront) or R(ear) for identification. Also, separate and tag tapered keepers, valve spring and spring retainer so that they are installed on the same valve at time of assembly.
8. Remove the remaining valve and components.
9. Remove fixture tool from spark plug hole.

2013 Road Glide Shop Manual

Peipei Pang



2013 Road Glide Shop Manual:

Unveiling the Magic of Words: A Report on "2013 Road Glide Shop Manual"

In a global defined by information and interconnectivity, the enchanting power of words has acquired unparalleled significance. Their power to kindle emotions, provoke contemplation, and ignite transformative change is actually awe-inspiring. Enter the realm of "**2013 Road Glide Shop Manual**," a mesmerizing literary masterpiece penned by a distinguished author, guiding readers on a profound journey to unravel the secrets and potential hidden within every word. In this critique, we shall delve into the book's central themes, examine its distinctive writing style, and assess its profound affect on the souls of its readers.

https://recruitmentslovakia.sk/About/uploaded-files/Documents/2001_Holiday_Rambler_Manual.pdf

Table of Contents 2013 Road Glide Shop Manual

1. Understanding the eBook 2013 Road Glide Shop Manual
 - The Rise of Digital Reading 2013 Road Glide Shop Manual
 - Advantages of eBooks Over Traditional Books
2. Identifying 2013 Road Glide Shop Manual
 - Exploring Different Genres
 - Considering Fiction vs. Non-Fiction
 - Determining Your Reading Goals
3. Choosing the Right eBook Platform
 - Popular eBook Platforms
 - Features to Look for in a 2013 Road Glide Shop Manual
 - User-Friendly Interface
4. Exploring eBook Recommendations from 2013 Road Glide Shop Manual
 - Personalized Recommendations
 - 2013 Road Glide Shop Manual User Reviews and Ratings
 - 2013 Road Glide Shop Manual and Bestseller Lists

5. Accessing 2013 Road Glide Shop Manual Free and Paid eBooks
 - 2013 Road Glide Shop Manual Public Domain eBooks
 - 2013 Road Glide Shop Manual eBook Subscription Services
 - 2013 Road Glide Shop Manual Budget-Friendly Options
6. Navigating 2013 Road Glide Shop Manual eBook Formats
 - ePub, PDF, MOBI, and More
 - 2013 Road Glide Shop Manual Compatibility with Devices
 - 2013 Road Glide Shop Manual Enhanced eBook Features
7. Enhancing Your Reading Experience
 - Adjustable Fonts and Text Sizes of 2013 Road Glide Shop Manual
 - Highlighting and Note-Taking 2013 Road Glide Shop Manual
 - Interactive Elements 2013 Road Glide Shop Manual
8. Staying Engaged with 2013 Road Glide Shop Manual
 - Joining Online Reading Communities
 - Participating in Virtual Book Clubs
 - Following Authors and Publishers 2013 Road Glide Shop Manual
9. Balancing eBooks and Physical Books 2013 Road Glide Shop Manual
 - Benefits of a Digital Library
 - Creating a Diverse Reading Collection 2013 Road Glide Shop Manual
10. Overcoming Reading Challenges
 - Dealing with Digital Eye Strain
 - Minimizing Distractions
 - Managing Screen Time
11. Cultivating a Reading Routine 2013 Road Glide Shop Manual
 - Setting Reading Goals 2013 Road Glide Shop Manual
 - Carving Out Dedicated Reading Time
12. Sourcing Reliable Information of 2013 Road Glide Shop Manual
 - Fact-Checking eBook Content of 2013 Road Glide Shop Manual
 - Distinguishing Credible Sources
13. Promoting Lifelong Learning

- Utilizing eBooks for Skill Development
 - Exploring Educational eBooks
14. Embracing eBook Trends
- Integration of Multimedia Elements
 - Interactive and Gamified eBooks

2013 Road Glide Shop Manual Introduction

In today's digital age, the availability of 2013 Road Glide Shop Manual books and manuals for download has revolutionized the way we access information. Gone are the days of physically flipping through pages and carrying heavy textbooks or manuals. With just a few clicks, we can now access a wealth of knowledge from the comfort of our own homes or on the go. This article will explore the advantages of 2013 Road Glide Shop Manual books and manuals for download, along with some popular platforms that offer these resources. One of the significant advantages of 2013 Road Glide Shop Manual books and manuals for download is the cost-saving aspect. Traditional books and manuals can be costly, especially if you need to purchase several of them for educational or professional purposes. By accessing 2013 Road Glide Shop Manual versions, you eliminate the need to spend money on physical copies. This not only saves you money but also reduces the environmental impact associated with book production and transportation. Furthermore, 2013 Road Glide Shop Manual books and manuals for download are incredibly convenient. With just a computer or smartphone and an internet connection, you can access a vast library of resources on any subject imaginable. Whether you're a student looking for textbooks, a professional seeking industry-specific manuals, or someone interested in self-improvement, these digital resources provide an efficient and accessible means of acquiring knowledge. Moreover, PDF books and manuals offer a range of benefits compared to other digital formats. PDF files are designed to retain their formatting regardless of the device used to open them. This ensures that the content appears exactly as intended by the author, with no loss of formatting or missing graphics. Additionally, PDF files can be easily annotated, bookmarked, and searched for specific terms, making them highly practical for studying or referencing. When it comes to accessing 2013 Road Glide Shop Manual books and manuals, several platforms offer an extensive collection of resources. One such platform is Project Gutenberg, a nonprofit organization that provides over 60,000 free eBooks. These books are primarily in the public domain, meaning they can be freely distributed and downloaded. Project Gutenberg offers a wide range of classic literature, making it an excellent resource for literature enthusiasts. Another popular platform for 2013 Road Glide Shop Manual books and manuals is Open Library. Open Library is an initiative of the Internet Archive, a non-profit organization dedicated to digitizing cultural artifacts and making them accessible to the public. Open Library hosts millions of books, including both public domain works and contemporary titles. It also allows users to

borrow digital copies of certain books for a limited period, similar to a library lending system. Additionally, many universities and educational institutions have their own digital libraries that provide free access to PDF books and manuals. These libraries often offer academic texts, research papers, and technical manuals, making them invaluable resources for students and researchers. Some notable examples include MIT OpenCourseWare, which offers free access to course materials from the Massachusetts Institute of Technology, and the Digital Public Library of America, which provides a vast collection of digitized books and historical documents. In conclusion, 2013 Road Glide Shop Manual books and manuals for download have transformed the way we access information. They provide a cost-effective and convenient means of acquiring knowledge, offering the ability to access a vast library of resources at our fingertips. With platforms like Project Gutenberg, Open Library, and various digital libraries offered by educational institutions, we have access to an ever-expanding collection of books and manuals. Whether for educational, professional, or personal purposes, these digital resources serve as valuable tools for continuous learning and self-improvement. So why not take advantage of the vast world of 2013 Road Glide Shop Manual books and manuals for download and embark on your journey of knowledge?

FAQs About 2013 Road Glide Shop Manual Books

1. Where can I buy 2013 Road Glide Shop Manual books? Bookstores: Physical bookstores like Barnes & Noble, Waterstones, and independent local stores. Online Retailers: Amazon, Book Depository, and various online bookstores offer a wide range of books in physical and digital formats.
2. What are the different book formats available? Hardcover: Sturdy and durable, usually more expensive. Paperback: Cheaper, lighter, and more portable than hardcovers. E-books: Digital books available for e-readers like Kindle or software like Apple Books, Kindle, and Google Play Books.
3. How do I choose a 2013 Road Glide Shop Manual book to read? Genres: Consider the genre you enjoy (fiction, non-fiction, mystery, sci-fi, etc.). Recommendations: Ask friends, join book clubs, or explore online reviews and recommendations. Author: If you like a particular author, you might enjoy more of their work.
4. How do I take care of 2013 Road Glide Shop Manual books? Storage: Keep them away from direct sunlight and in a dry environment. Handling: Avoid folding pages, use bookmarks, and handle them with clean hands. Cleaning: Gently dust the covers and pages occasionally.
5. Can I borrow books without buying them? Public Libraries: Local libraries offer a wide range of books for borrowing. Book Swaps: Community book exchanges or online platforms where people exchange books.

6. How can I track my reading progress or manage my book collection? Book Tracking Apps: Goodreads, LibraryThing, and Book Catalogue are popular apps for tracking your reading progress and managing book collections. Spreadsheets: You can create your own spreadsheet to track books read, ratings, and other details.
7. What are 2013 Road Glide Shop Manual audiobooks, and where can I find them? Audiobooks: Audio recordings of books, perfect for listening while commuting or multitasking. Platforms: Audible, LibriVox, and Google Play Books offer a wide selection of audiobooks.
8. How do I support authors or the book industry? Buy Books: Purchase books from authors or independent bookstores. Reviews: Leave reviews on platforms like Goodreads or Amazon. Promotion: Share your favorite books on social media or recommend them to friends.
9. Are there book clubs or reading communities I can join? Local Clubs: Check for local book clubs in libraries or community centers. Online Communities: Platforms like Goodreads have virtual book clubs and discussion groups.
10. Can I read 2013 Road Glide Shop Manual books for free? Public Domain Books: Many classic books are available for free as they're in the public domain. Free E-books: Some websites offer free e-books legally, like Project Gutenberg or Open Library.

Find 2013 Road Glide Shop Manual :

[2001 holiday rambler manual](#)

[352 v8 engine manual](#)

[ags world history teachers edition workbook](#)

lodish molecular cell biology solutions manual

instructors resource kit principles of accounting

elasticity of dem guided answers

aprilair thermostat 8363 user s manual

manual da hp12c platinum

n2 building science previous question papers

[where can i do community service](#)

[porsche 911 carrera 1993 1998 service repair workshop manual](#)

[00-02-gsxr-750 manual](#)

n2 diesel trade theory previous question papers in sa

zenith xbv410 manual
manuale di istruzioni fiat qubo

2013 Road Glide Shop Manual :

reincarnazione wikipedia - Jul 02 2022

web reincarnazione l'atto dell'anima che dopo la morte torna a vivere in un altro corpo si tratta di una credenza largamente diffusa anche presso i popoli di interesse etnologico

la reincarnazione come realtà le mie vite precedenti by - Jan 28 2022

web la reincarnazione e realtà le mie vite precedenti may 8th 2020 la reincarnazione e realtà le mie vite precedenti è un libro scritto da stephan von jankovich pubblicato da

la reincarnazione come realtà le mie vite precede pdf - Nov 06 2022

web al confine citazioni sulla reincarnazione vita oltre la vita 3 modi per ricordare le tue vite passate wikihow la reincarnazione e realtà le mie vite precedenti vite passate il

la reincarnazione come realtà le mie vite precedenti by - Nov 25 2021

web reincarnazione intervista la reincarnazione e realtà le mie vite precedenti reincarnazione e rinascita nel buddhismo sentieri dello vite parallele e se le

la reincarnazione come realtà le mie vite precede - Apr 11 2023

web un'esperienza che permette di scaricare le tensioni e i conflitti di risolvere le paure soprattutto quella della morte per affrontare la vita e le difficoltà con una visione più

la reincarnazione come realtà le mie vite precedenti by - Dec 27 2021

web e la reincarnazione cosa succede dopo la morte la reincarnazione e realtà le mie vite precedenti la reincarnazione e realtà libro di stefan von jankovich tutti i libri per l

la reincarnazione come realtà le mie vite precedenti by - Mar 30 2022

web ricorda le tue vite passate 1 parte la reincarnazione e realtà le mie vite precedenti reincarnazione e rinascita nel buddhismo sentieri dello testimonianze di grandi

la reincarnazione come realtà le mie vite precedenti by - Feb 26 2022

web perché la reincarnazione fa paura i sentieri dell'cosa mi è accaduto vite precedenti la reincarnazione e realtà le mie vite precedenti il mondo è un'ostrica la reincarnazione

la reincarnazione come realtà le mie vite precede 2023 - Dec 07 2022

web jul 8 2023 to look guide la reincarnazione come realtà le mie vite precede as you such as by searching the title

publisher or authors of guide you in fact want you can

reincarnazione e vite precedenti perché non - Jul 14 2023

web la reincarnazione come realta le mie vite precede costumes traditions and songs of savoy dec 26 2020 in una scatola tengo le mie vite feb 20 2023 la poesia di marco

la reincarnazione come realtà le mie vite precedenti by - Sep 04 2022

web la reincarnazione come realta le mie vite precede pdf la reincarnazione come realta le mie vite precede pdf book review unveiling the magic of language in a

la reincarnazione come realta le mie vite precede pdf - Jun 13 2023

web la reincarnazione come realta le mie vite precede la reincarnazione come realta le mie vite precede 2 downloaded from old restorativejustice org on 2021 11 24 by guest

la reincarnazione come realtà le mie vite precedenti by - Oct 05 2022

web poteri psichici libri di reincarnazione e vite passate un esperienza straordinaria reincarnazione domande esistenziali esiste la reincarnazione project nelle mie vite

la reincarnazione come realtà le mie vite precedenti by - Oct 25 2021

web mi sono reincarnato e ricordo le mie la reincarnazione e realtà le mie vite precedenti poteri psichici libri di reincarnazione e vite passate nelle mie vite precedenti ero una

la reincarnazione come realtà le mie vite precedenti by - Sep 23 2021

la reincarnazione come realtà le mie vite precedenti by - Feb 09 2023

web la reincarnazione come realta le mie vite precede paranormale e pranoterapia la saggezza del mistero azzurrincantesimi e magie rosa una via alla consapevolezza

reincarnazione in sinonimi e contrari treccani - Apr 30 2022

web jul 23 2023 astrologia 3 pdf online la reincarnazione e realtà le mie vite precedenti un esperienza straordinaria reincarnazione nelle mie vite precedenti ero una strega

la reincarnazione come realtà le mie vite precedenti by - Aug 15 2023

web april 28th 2020 la reincarnazione e realtà le mie vite precedenti è un libro di stephan von jankovich pubblicato da edizioni mediterranee nella collana esoterismo medianità

la reincarnazione come realta le mie vite precede download - Jan 08 2023

web pages of la reincarnazione come realta le mie vite precede a mesmerizing literary creation penned by way of a celebrated wordsmith readers set about an enlightening

la reincarnazione come realta le mie vite precede pdf pdf - Aug 03 2022

web rappresentazione della reincarnazione secondo l induismo la reincarnazione è il concetto religioso di rinascita dell anima o dello spirito di un individuo in un altro corpo

reincarnazione nell enciclopedia treccani - Jun 01 2022

web reincarnazione reincarnazione meno com reincarnazione s f der di r e incarnare il passaggio dell anima o dello spirito vitale dopo la morte dell individuo in cui erano

la reincarnazione come realta le mie vite precede pdf pdf - Mar 10 2023

web aug 15 2023 intervista ricordare vite precedenti la reincarnazione dall ipnosi la reincarnazione e realtà libro di stefan von jankovich poteri psichici libri di

la reincarnazione come realta le mie vite precede gail fine - May 12 2023

web mostrano come la regressione sia un esperienza che permette di scaricare le tensioni e i conflitti di risolvere le paure soprattutto quella della morte per affrontare la vita e le

good morning holy spirit hinn benny free download - Jan 12 2023

good morning holy spirit hinn benny free download borrow and streaming internet archive

good morning holy spirit benny hinn google books - Feb 13 2023

apr 23 1997 in this revised and expanded edition of good morning holy spirit benny hinn shares the insights and the truths that god has taught him through the years good morning holy spirit provides

good morning holy spirit by benny hinn waterstones - Apr 03 2022

feb 5 2004 synopsis 20th anniversary of this classic with more than one million copies sold revised and updated with bonus study guide included one cold winter night in toronto the holy spirit entered benny hinn s life in such a dramatic way that he was changed forever the same thing can happen to you

good morning holy spirit by benny hinn open library - Oct 29 2021

sep 29 2021 good morning holy spirit by benny hinn 5 00 1 rating 27 want to read 2 currently reading 0 have read this edition doesn t have a description yet can you

power of the holy spirit benny hinn ministries - Dec 31 2021

home good morning holy spirit power of the holy spirit today s key scripture all references nkjv unless otherwise noted and when they had prayed the place where they were assembled together was shaken and they were all filled with the holy spirit and they spoke the word of god with boldness acts 4 31

good morning holy spirit benny hinn google books - Aug 07 2022

good morning holy spirit benny hinn google books

[good morning holy spirit by benny hinn ebook scribd](#) - Mar 02 2022

in this revised and expanded edition of good morning holy spirit benny hinn shares the insights and the truths that god has taught him through the years good morning holy spirit provides the principles needed to gain a better understanding of the godhead while you discover good morning holy spirit also is available in spanish buenos

[good morning holy spirit by benny hinn audiobook audible com](#) - Oct 09 2022

benny hinn s best selling good morning holy spirit introduced millions of christians to the holy spirit as a personal guide and friend now in the companion book welcome holy spirit hinn reveals the transforming energizing power of the holy spirit as he works in hinn s life and tells how you too can experience this tremendous power

[good morning holy spirit by benny hinn goodreads](#) - Nov 10 2022

feb 28 1990 the story of benny hinn s personal encounter with the holy spirit and how that experience dramatically changed his life is a story god has used hundreds of thousands of times around the world to touch the lives of others

good morning holy spirit by benny hinn archive org - Nov 29 2021

oct 31 2016 good morning holy spirit by benny hinn topics christian audio books benny hinn audio book good morning holy spirit by benny hinn addeddate 2016 10 31 06 03 17 external metadata update 2019 03 31t03 41 33z identifier

[good morning holy spirit benny hinn 9780785261261 christianbook com](#) - Apr 15 2023

good morning holy spirit learn to recognize the voice of the spirit by benny hinn thomas nelson 2004 paperback 4 5 out of 5 stars for good morning holy spirit learn to recognize the voice of the spirit 26 reviews write a review buy 36 or more for 14 24 each in stock stock no ww61265

[good morning holy spirit benny hinn pdf document](#) - Sep 20 2023

may 27 2015 good morning holy spirit benny hinn of 205 upload redimido por cristo post on 27 may 2015 2 666 views category spiritual 432 download tags holy spirit benny hinn holy spirit welcome good morning chris hinn sammy hinn spiritual life publication data hinn misty toronto morning embed size px

books by benny hinn author of good morning holy spirit goodreads - Feb 01 2022

clear rating 1 of 5 stars 2 of 5 stars 3 of 5 stars 4 of 5 stars 5 of 5 stars welcome holy spirit how you can experience the dynamic work of the holy spirit in your life by benny hinn 4 32 avg rating 760 ratings published 1994 23 editions want to read

[good morning holy spirit kindle edition by hinn benny](#) - Jul 06 2022

apr 23 1997 audiobook 0 00 free with your audible trial 20th anniversary of this classic with more than one million copies sold revised and updated with bonus study guide included one cold winter night in toronto the holy spirit entered benny hinn s life in such a dramatic way that he was changed forever the same thing can happen to you

[good morning holy spirit wikipedia](#) - Jun 17 2023

good morning holy spirit is a best selling book by benny hinn the book is about benny hinn s childhood and how an encounter with the holy spirit changed his life summary the book describes the following facts about hinn s childhood hinn was born israel

god s voice the holy spirit benny hinn ministries - Jun 05 2022

a prayer for today lord help me to be aware of your voice in everything i do today no matter what trials or victories i experience help me to know that you are always near and aware of what is going on around me help me to run my race today with endurance knowing that your voice will be with me every step of the way

good morning holy spirit learn to recognize the voice of the spirit - Dec 11 2022

mar 2 2004 one cold winter night in toronto the holy spirit entered benny hinn s life in such a dramatic way that he was changed forever the same thing can happen to you join the millions of others who have read good morning holy spirit and discover if you are ready to meet the holy spirit intimately and personally willing to listen to his voice and

good morning holy spirit hinn benny free download - May 16 2023

good morning holy spirit by hinn benny publication date 1990 topics hinn benny pentecostal churches evangelists holy spirit publisher nashville t nelson publishers

good morning holy spirit archives benny hinn ministries - Sep 08 2022

our need for the holy spirit s intercession benny hinn ministries 2023 09 20t11 24 07 05 00 categories good morning holy spirit

good morning holy spirit hinn benny free download borrow - May 04 2022

good morning holy spirit hinn benny free download borrow and streaming internet archive

good morning holy spirit amazon com - Mar 14 2023

10 1799 give as gift see clubs not in a club learn more good morning holy spirit audible audiobook unabridged benny hinn author william crockett narrator 1 more 4 9 4 119 ratings see all formats and editions this is the 20th anniversary edition of this spiritual classic with more than one million physical book copies sold

good morning holy spirit benny hinn ministries - Aug 19 2023

oct 16 2023 good day holy spirit daily devotional has been painstakingly created from works of the good morning holy spirit book by pastor benny hinn sign up today to start receiving these daily inspirational devotions

good morning holy spirit learn to recognize the voice of the spirit - Jul 18 2023

mar 2 2004 in this revised and expanded edition of good morning holy spirit benny hinn shares the insights and the truths that god has taught him through the years good morning holy spirit provides the principles needed to gain a

buku perencanaan transportasi pdf scribd - Feb 14 2023

web perencanaan transportasi pengantar teknik dan perencanaan transportasi edward k morlok ups foundation profesor transportation civil and urban engineering departement university of penalsyvania penerbit erlangga 1995 jln baping raya no 100 ciracas jakarta tata guna tanah dalam perencanaan pedesaan perkotaan

pdf perencanaan transportasi azmi nofal academia edu - Sep 09 2022

web menurut bowser 1981 dapat disebut sebagai permintaan transportasi adalah perpindahan turunan derived demand yang barang atau penumpang dari timbul akibat adanya permintaan suatu tempat ketempat lain akan komoditas atau jasa lainnya dimana produk dipindahkan ke dengan demikian permintaan akan tempat tujuan dibutuhkan

pengantar perencanaan transportasi perpustakaan ut - Sep 21 2023

web pengantar perencanaan transportasi modul 1 pengantar perencanaan transportasi ir sakti adji adisasmita m si m eng sc ph d pendahuluan

bab 2 pendekatan perencanaan transportasi - Nov 11 2022

web tujuan dasar perencanaan transportasi adalah untuk memperkirakan jumlah dan lokasi kebutuhan akan transportasi jumlah perjalanan baik untuk angkutan umum ataupun angkutan pribadi pada masa yang akan datang tahun rencana untuk kepentingan kebijaksanaan investasi perencanaan transportasi umur perencanaan

bab iii landasan teori a konsep perencanaan transportasi - Jun 18 2023

web secara konsepsi perencanaan transportasi empat tahap ini dapat digambarkan seperti gambar 3 1 di bawah ini aksesibilitas acceessbility bangkitan perjalanan trip generation sebaran pergerakan trip distribution pemilihan moda mode selection pemilihan rute trip assignment arus pada jaringan transportasi

perencanaan transportasi penunjang perkembangan suatu - Jan 13 2023

web dec 15 2021 perencanaan transportasi merupakan salah satu perencanaan yang memiliki tingkat keberagaman yang cukup tinggi dengan cakupan yang cukup luas sehingga dalam pelaksanaannya membutuhkan atau melibatkan banyak aspek yang terlibat di dalamnya kajian transportasi ditandai oleh beberapa hal yaitu multimoda multidisiplin

mata kuliah pengantar perencanaan transportasi ugm - Jul 19 2023

web aug 29 2017 n a tujuan spesifik mata kuliah tujuan mahasiswa diharapkan mampu memahami proses perencanaan transportasi melalui sebuah tahapan pemodelan khususnya untuk transportasi jalan raya capaian pembelajaran kemampuan untuk merancang dan melakukan eksperimen serta menganalisis dan menginterpretasi data

perencana transportasi informasi profesi tren gaji - Apr 16 2023

web pelaut ahli teknik transportasi manajer transportasi apa itu perencana transportasi seorang perencana transportasi umumnya mempersiapkan studi untuk proyek proyek transportasi yang diusulkan

pengembangan metodologi perencanaan transportasi barang regional - Jul 07 2022

web dec 1 2011 model perencanaan transportasi yang dipromosikan oleh southworth 2002 holguin veras dan thorson 2000 dan holguin veras et al 2001 memberikan perhatian yang lebih

perencanaan transportasi unesa ac id - Dec 12 2022

web perencanaan transportasi perencanaan transportasi suatu proses yang tujuannya mengembangkan sistem transportasi yang memungkinkan manusia dan barang bergerak atau berpindah tempat dengan aman murah cepat dan nyaman adisasmita r dan

perencanaan transportasi wikipedia bahasa indonesia - Oct 22 2023

web perencanaan transportasi adalah suatu perencanaan kebutuhan prasarana transportasi seperti jalan terminal pelabuhan pengaturan serta sarana untuk mendukung sistem transportasi yang efisien aman dan lancar serta berwawasan lingkungan proses perencanaan transportasi proses perencanaan transportasi

pengantar sistem dan perencanaan transportasi google books - Mar 15 2023

web jun 26 2018 pengantar sistem dan perencanaan transportasi rudi azis dan asrul deepublish jun 26 2018 286 pages buku ini sebetulnya bertujuan untuk memberi pengantar pemahaman kearah sistem transportasi

aplikasi model perencanaan transportasi 4 tahap - Jun 06 2022

web 4 kesimpulan tulisan ini menjelaskan secara global model perencanaan transportasi 4 tahap yang mengkaitkan interaksi antara sistem kegiatan tata guna tanah dengan sistem jaringan transportasi dan sistem pergerakan lalu lintas yang dapat dianalisa dengan biaya yang cukup rendah murah dan dengan waktu proses yang cukup singkat cepat

konsep perencanaan infrastruktur transportasi smart integrated - Mar 03 2022

web aug 31 2022 pengembangan infrastruktur transportasi di wilayah ikn harus menjaga kelestarian fungsi ekosistem dan kualitas lingkungan yang baik dan konsep perencanaan infrastruktur transportasi smart

pdf sistem transportasi researchgate - May 17 2023

web jan 6 2022 perencanaan transportasi meliputi perencanaan kebutuhan infrastruktur transportasi seperti jalan pelabuhan lokasi dan fasilitas untuk mendukung sistem transportasi yang efisien aman

makalah perencanaan transportasi dan permodelan transportasi - Aug 08 2022

web perencanaan transportasi itu sendiri dapat didefinisikan sebagai suatu proses yang tujuannya mengembangkan sistem transportasi yang memungkinkan manusia dan barang bergerak atau berpindah tempat dengan aman dan murah pignataro 1973 selain itu sebenarnya masih ada unsur cepat jadi selain aman dan murah transportasi juga

konsep perencanaan transportasi transport engineer - Oct 10 2022

web apr 14 2016 konsep perencanaan transportasi konsep perencanaan transportasi yang paling populer adalah model perencanaan transportasi empat tahap four stages transport model yang terdiri dari bangkitan dan tarikan pergerakan trip

generation distribusi pergerakan lalu lintas trip distribution

manajemen perencanaan transportasi - May 05 2022

web perencanaan transportasi yaitu merencanakan secara menyeluruh mengenai sistem transportasi terpadu yang merupakan intermode transportation systems perencanaan menyangkut angkutan jalan raya angkutan laut dan angkutan udara dan berbagai moda transportasi yang ada pada urban area pinggiran kota berikut adalah langkah

pwkl4103 perencanaan transportasi edisi 3 perpustakaan - Aug 20 2023

web bmp buku materi pokok mata kuliah perencanaan transportasi pwkl41 03 ini memberikan dasar pemahaman tentang teori teori dan berbagai pendekatan dalam perencanaan transportasi yang digunakan untuk menganalisis isu dan permasalahan di sektor transportasi seperti penambahan jumlah kendaraan moda transportasi yang

doc perencanaan transportasi perkotaan academia edu - Apr 04 2022

web perencanaan dan pemodelan transportasi jfp ipw download free pdf view pdf