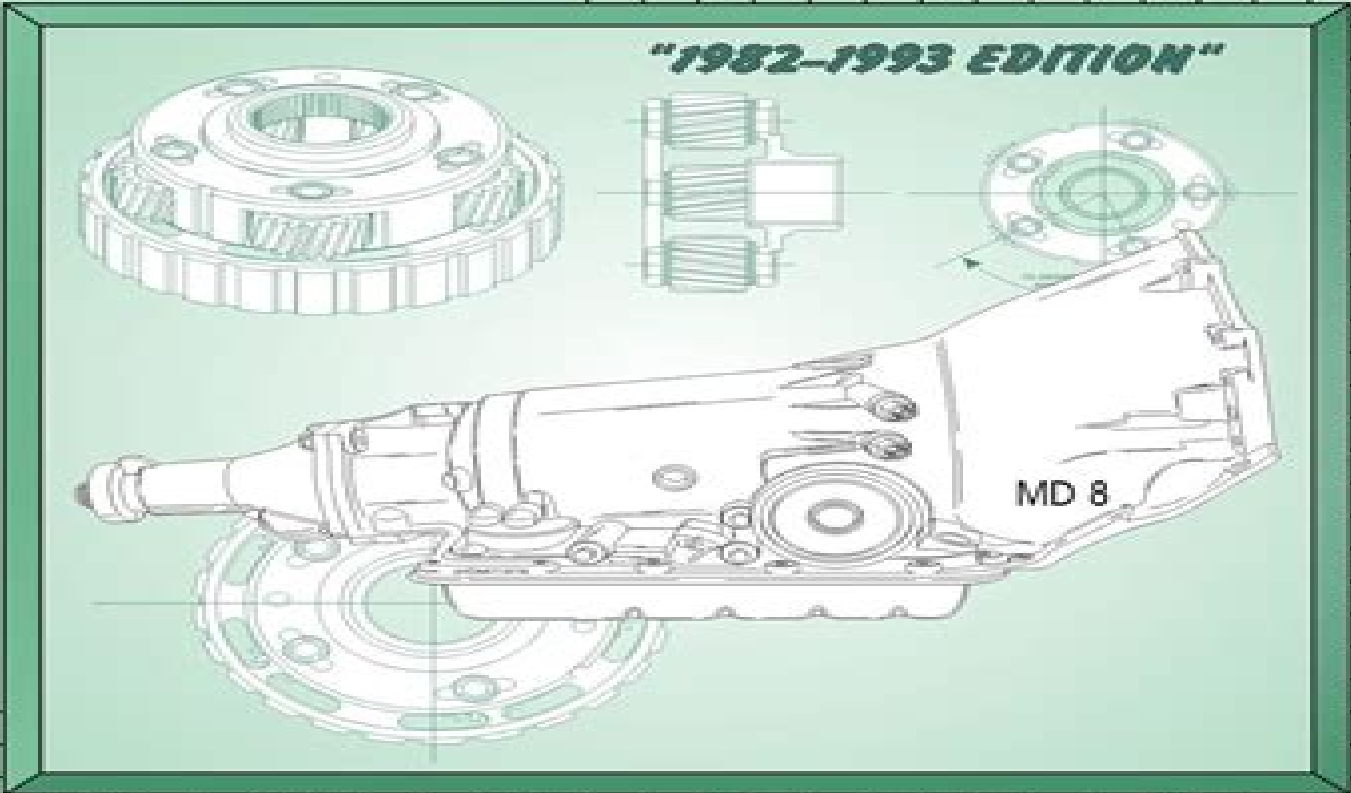




**UPDATE
HANDBOOK
TECHTRAN™ MANUAL**

**7
0
0
-
R
4
|
4
L
6
0**



**NEW UPDATES
AND CHANGES
INCLUDED**

AUTOMATIC TRANSMISSION SERVICE GROUP

Atsg Manual

WJ Hussar



Atsg Manual:

Automotive Automatic Transmission and Transaxles Keith Santini, Kirk Vangelder, 2017-05-18 Automotive Automatic Transmission and Transaxles published as part of the CDX Master Automotive Technician Series provides students with an in depth introduction to diagnosing repairing and rebuilding transmissions of all types Utilizing a strategy based diagnostics approach this book helps students master technical trouble shooting in order to address the problem correctly on the first attempt Outcome focused with clear objectives assessments and seamless coordination with task sheets Introduces transmission design and operation electronic controls torque converters gears and shafts reaction and friction units and manufacturer types Equips students with tried and true techniques for use with complex shop problems Combines the latest technology for computer controlled transmissions with traditional skills for hydraulic transmissions Filled with pictures and illustrations that aid comprehension as well as real world examples that put theory into practice Offers instructors an intuitive methodical course structure and helpful support tools With complete coverage of this specialized topic this book prepares students for MAST certification and the full range of transmission problems they will encounter afterward as a technician About CDX Master Automotive Technician Series Organized around the principles of outcome based education CDX offers a uniquely flexible and in depth program which aligns learning and assessments into one cohesive and adaptable learning system Used in conjunction with CDX MAST Online CDX prepares students for professional success with media rich integrated solutions The CDX Automotive MAST Series will cover all eight areas of ASE certification

Soldier's Manual, MOS 71E United States. Department of the Army, 1981

[Air Force Manual](#) United States. Department of the Air Force, 1973

[Equipment Improvement Report and Maintenance Digest Test, Measurement and Diagnostic Equipment \(TMDE\), \(second Quarter, CY 1984\).](#), 1984

Truck and Trailer Systems (PB) Mike Thomas, 2013-10-22 The most complete visual guide to servicing medium and heavy duty truck systems Written by an expert with decades of experience as an automotive and diesel technician and instructor Truck and Trailer Systems offers comprehensive information on medium and heavy duty truck service The book begins by discussing the trucking industry professional certifications safety tools and measuring equipment Then each system is thoroughly covered from electrical and lighting to brakes and transmissions Factory procedures from the most common manufacturers for diagnosis and repair are presented along with annotated photos and diagrams This practical authoritative resource is essential for those starting out in the field as well as experienced professionals in need of a detailed on the job reference Chapters include Objectives Notes Cautions Service tips Photos and diagrams Chapter reviews Truck and Trailer Systems covers Industry safety Basic electrical Magnetism Batteries Starting system Charging system Lighting and wiring Computer systems Mobile heating ventilation and air conditioning systems Tires wheels and wheel end systems Frames and suspensions Steering systems Trailers and fifth wheels Hydraulic brake systems Air brake foundation brakes Air brake air systems Antilock brake systems Drive lines Clutches Drive axles

Single and twin countershaft manual transmissions Automated manual transmissions Automatic transmissions Allison transmission overhaul PMI Auxiliary power units **Truck and Trailer Systems Lab Manual** Mike Thomas,2014-03-08 A practical medium and heavy duty truck systems Featuring more than 100 in depth lab exercises this hands on guide provides the practice you need to succeed as a medium and heavy duty truck service technician The labs meet and exceed NATEF standards Every system is thoroughly covered from electrical and lighting to brakes and transmissions Each lab includes Objective of the lab Safety precautions Tools needed to complete the lab Challenging review questions help to reinforce the topics covered and are patterned after the typical questions found on the ASE Medium Heavy Duty Truck Certification tests T3 through T8 Written by an expert with decades of experience as an automotive and diesel technician and instructor this lab manual is the perfect companion to the comprehensive text Truck and Trailer Systems Truck and Trailer Systems Lab Manual covers Vehicle identification numbers Engine transmission and drive axle ID tag numbers Safety Tools and measuring equipment Basic electrical Magnetism Batteries Starting system Charging system Lighting and wiring Computer systems Mobile heating ventilation and air conditioning systems Tires wheels and wheel end systems Frames and suspensions Steering systems Trailers and fifth wheels Hydraulic brake systems Air brake foundation brakes Air brake air system Anti lock brake systems Drive lines Clutches Drive axles Single and twin countershaft manual transmissions Automated manual transmissions Automatic transmissions Allison automatic transmissions PMI Auxiliary power units Administrative Specialist United States. Department of the Army,1981 **Interlibrary Loan Services Manual** ,1991 **User's Manual for EPA Scientific Applications Software** United States. Environmental Protection Agency,1975 Personnel Administration Specialist United States. Department of the Army,1981 **The Minnesota Legislative Manual** , Personnel Actions Specialist United States. Department of the Army,1983 **Separate Company/battalion Level** United States. Department of the Army,1981 **Personnel Management Specialist** United States. Department of the Army,1981 Acquisition Process in the Department of Defense United States. Congress. Senate. Committee on Governmental Affairs,1982 *Manual De Compliance* Christian K De Lamboy (coordenador),2019-10-05 Mais do que nunca as empresas precisam se proteger de fraudes como corrup o roubo e outras n o conformidades Ao mesmo tempo a regulamenta o e fiscaliza o em v rias reas se tornam cada vez mais amplas e r gidas A necessidade de ter um processo estruturado de compliance est crescendo mas informa es detalhadas das pr ticas sobre o tema ainda s o escassas Este livro aborda de forma pr tica e com uma linguagem de f cil entendimento uma vis o hol stica de uma estrutura de compliance tend ncias e desenvolvimentos atuais Outro ponto que destacamos a import ncia do Fator Humano no aspecto de Compliance e como aplicar no ambiente de governan a das corpora es O livro conta com a colabora o de mais de 50 especialistas com longa experi ncia de diferentes setores e de re conhecimento internacional **The American Legion** ,1987 **Moody's Public Utility Manual** ,1932 Computer/machine Operator United States. Department of the Army,1981 **Government**

Reports Announcements & Index ,1995

Discover tales of courage and bravery in Explore Bravery with its empowering ebook, **Atsg Manual** . In a downloadable PDF format (*), this collection inspires and motivates. Download now to witness the indomitable spirit of those who dared to be brave.

https://recruitmentslovakia.sk/public/detail/default.aspx/4024_Math_D_Paper_2013.pdf

Table of Contents Atsg Manual

1. Understanding the eBook Atsg Manual
 - The Rise of Digital Reading Atsg Manual
 - Advantages of eBooks Over Traditional Books
2. Identifying Atsg Manual
 - Exploring Different Genres
 - Considering Fiction vs. Non-Fiction
 - Determining Your Reading Goals
3. Choosing the Right eBook Platform
 - Popular eBook Platforms
 - Features to Look for in an Atsg Manual
 - User-Friendly Interface
4. Exploring eBook Recommendations from Atsg Manual
 - Personalized Recommendations
 - Atsg Manual User Reviews and Ratings
 - Atsg Manual and Bestseller Lists
5. Accessing Atsg Manual Free and Paid eBooks
 - Atsg Manual Public Domain eBooks
 - Atsg Manual eBook Subscription Services
 - Atsg Manual Budget-Friendly Options
6. Navigating Atsg Manual eBook Formats

- ePub, PDF, MOBI, and More
- Atsg Manual Compatibility with Devices
- Atsg Manual Enhanced eBook Features
- 7. Enhancing Your Reading Experience
 - Adjustable Fonts and Text Sizes of Atsg Manual
 - Highlighting and Note-Taking Atsg Manual
 - Interactive Elements Atsg Manual
- 8. Staying Engaged with Atsg Manual
 - Joining Online Reading Communities
 - Participating in Virtual Book Clubs
 - Following Authors and Publishers Atsg Manual
- 9. Balancing eBooks and Physical Books Atsg Manual
 - Benefits of a Digital Library
 - Creating a Diverse Reading Collection Atsg Manual
- 10. Overcoming Reading Challenges
 - Dealing with Digital Eye Strain
 - Minimizing Distractions
 - Managing Screen Time
- 11. Cultivating a Reading Routine Atsg Manual
 - Setting Reading Goals Atsg Manual
 - Carving Out Dedicated Reading Time
- 12. Sourcing Reliable Information of Atsg Manual
 - Fact-Checking eBook Content of Atsg Manual
 - Distinguishing Credible Sources
- 13. Promoting Lifelong Learning
 - Utilizing eBooks for Skill Development
 - Exploring Educational eBooks
- 14. Embracing eBook Trends
 - Integration of Multimedia Elements
 - Interactive and Gamified eBooks

Atsg Manual Introduction

Free PDF Books and Manuals for Download: Unlocking Knowledge at Your Fingertips In today's fast-paced digital age, obtaining valuable knowledge has become easier than ever. Thanks to the internet, a vast array of books and manuals are now available for free download in PDF format. Whether you are a student, professional, or simply an avid reader, this treasure trove of downloadable resources offers a wealth of information, conveniently accessible anytime, anywhere. The advent of online libraries and platforms dedicated to sharing knowledge has revolutionized the way we consume information. No longer confined to physical libraries or bookstores, readers can now access an extensive collection of digital books and manuals with just a few clicks. These resources, available in PDF, Microsoft Word, and PowerPoint formats, cater to a wide range of interests, including literature, technology, science, history, and much more. One notable platform where you can explore and download free Atsg Manual PDF books and manuals is the internet's largest free library. Hosted online, this catalog compiles a vast assortment of documents, making it a veritable goldmine of knowledge. With its easy-to-use website interface and customizable PDF generator, this platform offers a user-friendly experience, allowing individuals to effortlessly navigate and access the information they seek. The availability of free PDF books and manuals on this platform demonstrates its commitment to democratizing education and empowering individuals with the tools needed to succeed in their chosen fields. It allows anyone, regardless of their background or financial limitations, to expand their horizons and gain insights from experts in various disciplines. One of the most significant advantages of downloading PDF books and manuals lies in their portability. Unlike physical copies, digital books can be stored and carried on a single device, such as a tablet or smartphone, saving valuable space and weight. This convenience makes it possible for readers to have their entire library at their fingertips, whether they are commuting, traveling, or simply enjoying a lazy afternoon at home. Additionally, digital files are easily searchable, enabling readers to locate specific information within seconds. With a few keystrokes, users can search for keywords, topics, or phrases, making research and finding relevant information a breeze. This efficiency saves time and effort, streamlining the learning process and allowing individuals to focus on extracting the information they need. Furthermore, the availability of free PDF books and manuals fosters a culture of continuous learning. By removing financial barriers, more people can access educational resources and pursue lifelong learning, contributing to personal growth and professional development. This democratization of knowledge promotes intellectual curiosity and empowers individuals to become lifelong learners, promoting progress and innovation in various fields. It is worth noting that while accessing free Atsg Manual PDF books and manuals is convenient and cost-effective, it is vital to respect copyright laws and intellectual property rights. Platforms offering free downloads often operate within legal boundaries, ensuring that the materials they provide are either in the public domain or authorized for distribution. By adhering to copyright laws, users can enjoy the benefits of free access to knowledge while supporting the authors and publishers who make these resources available. In

conclusion, the availability of Atsg Manual free PDF books and manuals for download has revolutionized the way we access and consume knowledge. With just a few clicks, individuals can explore a vast collection of resources across different disciplines, all free of charge. This accessibility empowers individuals to become lifelong learners, contributing to personal growth, professional development, and the advancement of society as a whole. So why not unlock a world of knowledge today? Start exploring the vast sea of free PDF books and manuals waiting to be discovered right at your fingertips.

FAQs About Atsg Manual Books

How do I know which eBook platform is the best for me? Finding the best eBook platform depends on your reading preferences and device compatibility. Research different platforms, read user reviews, and explore their features before making a choice. Are free eBooks of good quality? Yes, many reputable platforms offer high-quality free eBooks, including classics and public domain works. However, make sure to verify the source to ensure the eBook credibility. Can I read eBooks without an eReader? Absolutely! Most eBook platforms offer web-based readers or mobile apps that allow you to read eBooks on your computer, tablet, or smartphone. How do I avoid digital eye strain while reading eBooks? To prevent digital eye strain, take regular breaks, adjust the font size and background color, and ensure proper lighting while reading eBooks. What the advantage of interactive eBooks? Interactive eBooks incorporate multimedia elements, quizzes, and activities, enhancing the reader engagement and providing a more immersive learning experience. Atsg Manual is one of the best book in our library for free trial. We provide copy of Atsg Manual in digital format, so the resources that you find are reliable. There are also many Ebooks of related with Atsg Manual. Where to download Atsg Manual online for free? Are you looking for Atsg Manual PDF? This is definitely going to save you time and cash in something you should think about.

Find Atsg Manual :

[4024 math d paper 2013](#)

[2008 ap biology multiple choice](#)

[active 1 guide anderson](#)

[2003 dodge caravan town country diesel complete worksh](#)

[bosch ahr 150pressure washer manual](#)

[might and magic 2 manual](#)

[takeuchi tb108 compact excavator parts manual s n 10820001](#)

non rolled oats recipe

4024 mathematics papers xtremepapers

2014 regional convention

firm of the future

Owners maual for 2006 nissan quest owners manual

question paper 1 for economics fo grade 11learners essay

electronic flash kw-12

les crimes de lamour volume eacutedition annoteacuttee

Atsg Manual :

ebook berita acara penyumpahan saksi - Feb 10 2023

web berita acara penyumpahan saksi penegakan hukum lingkungan melalui ketentuan ketentuan hukum pidana jun 03 2020
enforcement of environmental law through provisions in criminal law hukum dan ketahanan nasional dec 10 2020 konsolidasi
undang undang jabatan notaris nov 08 2020

penyumpahan saksi pembuatan bap tahap penyidikan icw - Feb 27 2022

web apr 29 2005 aktivitas penyumpahan saksi pembuatan bap tahap penyidikan friday 29 april 2005 00 00 hak untuk secara
bebas memberikan keterangan adalah salah satu hak yang paling penting dan mutlak harus dimiliki oleh seorang baik
sebagai seorang tersangka terdakwa ataupun saksi

berita acara penyumpahan saksi - Nov 07 2022

web berita acara penyumpahan saksi hukum pembuktian dalam beracara pidana perdata dan korupsi di indonesia tindak
pidana penipuan berbasis transaksi elektronik hukum dan ketahanan nasional keadilan dan pemberantasan tindak pidana
korupsi perspektif kejaksaan kejahatan berbahasa language crime negeriku menuai

berita acara penyumpahan saksi - Oct 06 2022

web berita acara penyumpahan saksi chipin de pembuatan berita acara pemeriksaan tersangka dan saksi berita acara
pemeriksaan tersangka jejak nirwana 7 contoh berita acara serah terima rapat kegiatan lengkap administrasi penyidikan
kamus polisi berita acara penyumpahan saksi athnet de

doc berita acara kehilangan bak academia edu - May 13 2023

web berita acara kehilangan bak yang bertanda tangan dibawah ini nama henrikus wasa jabatan oprt tc 25 dept er ga pada
hari sabtu tanggal 02 juni 2018 sekitar pukul 07 00 wita menerima laporan dari operator tc 25 bahwa telah terjadi
kehilangan aki sebanyak 2 pcs dengan ukuran 12 amper di area zero talang lama

berita acara sumpah saksi pdf scribd - Jun 14 2023

web berita acara pengambilan sumpah janji pada hari ini senin tanggal 23 bulan januari tahun dua ribu tujuh belas 2017 pukul

berita acara penyumpahan saksi - Jun 02 2022

web berita acara penyumpahan saksi modul ajar plkh litigasi dan non litigasi etika kedokteran dan hukum kesehatan ed 4 sumpah cor pejabat pembuat akta tanah pedoman komunikasi antar instansi terkait pembinaan penghayat kepercayaan terhadap tuhan yang maha esa penerapan teori hukum dalam sistem peradilan

berita acara penyumpahan saksi secure4 khronos - Sep 05 2022

web jun 5 2023 berita acara penyumpahan saksi berita acara penyumpahan saksi bap saksi ahli siti umaiyah academia edu my blog contoh bap berita acara pemeriksaan sumpah saksi ahli pada penyidikan tindak pidana berita acara penyumpahan saksi stufey de yofika pratiwi contoh berita acara pemeriksaan pembuatan berita

berita acara penyumpahan saksi - Jul 03 2022

web h k m acara peradilan pajak dharmasena rakyat menggugat dr muchtar pakpahan s h m a penegakan hukum di negara pancasila cakrawala hukum acara peradilan tata usaha negara kejahatan berbahasa language crime mimbar kekaryaannya abri berita acara penyumpahan saksi downloaded from vod transcode uat mediacp net by guest

catat begini bunyi sumpah saksi di pengadilan hukumonline - Mar 31 2022

web jul 7 2022 adapun teks sumpah saksi di pengadilan disesuaikan dengan cara agama masing masing yaitu hal 237 238 saksi yang beragama islam mengucapkan sumpah dengan cara berdiri dan mengucapkan lafaz sumpah agama islam di

berita acara penyumpahan saksi georgianmining com - Dec 28 2021

web berita acara penyumpahan saksi 1 berita acara penyumpahan saksi kejahatan berbahasa language crime quo vadis demokrasi hak asasi manusia penegakan hukum indonesia sebuah catatan kritis periode 2017 2019 mimbar kekaryaannya abri penegakan hukum di perairan indonesia sumpah cor

17 contoh berita acara lengkap berbagai keperluan terbaru - Jul 15 2023

web aug 30 2023 17 contoh berita acara lengkap berbagai keperluan terbaru salah satu dokumentasi yang wajib ada di dalam sebuah acara resmi organisasi adalah berita acara sederhananya berita acara ini biasanya mempunyai fungsi sebagai bukti legal suatu kejadian atau transaksi tertentu

doc bap saksi ahli siti umaiyah academia edu - Jan 29 2022

web yang diperiksa saksi ahli dr m hari setyawan demikian berita acara pemeriksaan ini selesai dibuat dengan sebenarnya atas kekuatan sumpah jabatan selanjutnya ditutup dan ditandatangani di malang tanggal 20

berita acara penyumpahan saksi 178 128 217 59 - Aug 04 2022

web april 16th 2019 dalam keadaan baik jasmani maupun rohani dan bersedia untuk diperiksa serta memberikan keterangan yang sebenarnya pada hari sabtu tanggal 14 april 2008 sekitar jam 13.00 wib telah menipu beberapa remaja putri di desa nyalembeng pulosari semarang dengan dalih mencari bintang tersangka menyamar menjadi salah satu

berita acara pengambilan sumpah saksi ahli - Dec 08 2022

web berita acara pengambilan sumpah saksi ahli dalam dokumen himpunan peraturan pertanahan kotak hitam halaman 44 66 pada hari ini tanggal bulan tahun pukul wib wita wit saya nip penyidik ppns penataan ruang pada kantor berdasarkan 1 **sumpah saksi di pengadilan begini aturannya hukumonline** - Apr 12 2023

web jul 14 2022 sumpah saksi di pengadilan begini aturannya renata christha auli s h si pokrol bacaan 9 menit pertanyaan apakah sumpah saksi di pengadilan menjadi syarat sah atas keterangan yang dia berikan intisari jawaban ulasan lengkap **20 draf berita acara kehilangan barang milik perusahaan issue** - Jan 09 2023

web jan 9 2018 read 20 draf berita acara kehilangan barang milik perusahaan by arif edison lawyer on issue and browse thousands of other publications on our platf

15 contoh surat berita acara kegiatan kejadian kehilangan - Mar 11 2023

web feb 9 2023 contoh surat berita acara apakah anda pernah membuat surat berita acara mungkin sangat jarang dan bahkan tidak pernah membuatnya berita acara disusun setelah seseorang melakukan atau mengerjakan suatu aktivitas kegiatan tertentu sebelum menyusun berita acara sebaiknya anda perlu tahu dulu pengertiannya berita acara

contoh berita acara pengambilan sumpah indra - May 01 2022

web oct 7 2020 selanjutnya berita acara pengambilan sumpah ini di tanda tangani oleh saksi yang di sumpah dan petugas yang menyumpah yang menyatakan sumpah demikian berita acara pengambilan sumpah ini di buat dengan sebenar benarnya dengan mengingat sumpah dan jabatan kemudian di tutup dan di tanda tangani di muara

pembuatan berita acara pemeriksaan saksi klinik hukumonline - Aug 16 2023

web jan 6 2017 terhadap saksi yang diduga cukup alasan tidak dapat hadir dalam persidangan di pengadilan dapat dilakukan penyumpahan atau pengucapan janji sebelum pemeriksaan dilaksanakan dan dibuat berita acara 11

free lien waiver form pdf word legal templates - Jul 18 2023

web sep 26 2023 create document updated september 26 2023 reviewed by brooke davis a lien waiver form is a legal agreement that waives claimant rights to file a lien on goods or property in dispute

get the free notarized lien waiver template form pdf filler - Aug 07 2022

web a notarized lien waiver template is a legal document that is used to formally release a property owner's claim to a contractor's lien rights this waiver confirms that the property owner has paid the contractor in full for the work or services provided and that the contractor no longer has a legal right to place a lien on the property for non

[unconditional lien waiver definition law insider](#) - Mar 02 2022

web unconditional lien waiver means a lien waiver from the applicable party originally signed by that party in a form that has been approved by l3harris but which waives all rights of the signatory to any claim for any mechanics materialmen or other lien or any other title retention claim for that party or for any party who may claim such right

[unconditional lien waiver template](#) - Feb 13 2023

web instantly download unconditional lien waiver template in microsoft word doc google docs format available in us sizes quickly customize easily editable printable

[unconditional lien waiver form pdf pdffiller](#) - Mar 14 2023

web unconditional lien waiver form pdf fill edit and download unconditional lien waiver form pdf with pdffiller simply browse the library of construction forms online

unconditional lien waiver template notarized download only - Apr 03 2022

web unconditional lien waiver template notarized code of federal regulations title 22 foreign relations pt 1 299 revised as of april 1 2011 may 17 2022 the code of federal regulations is a codification of the general and permanent rules published in the federal register by the executive departments and

unconditional lien waiver fill out sign online dochub - Nov 10 2022

web 01 edit your unconditional lien waiver form pdf online type text add images blackout confidential details add comments highlights and more 02 sign it in a few clicks draw your signature type it upload its image or use your mobile device as a signature pad 03 share your form with others

[printable lien waiver pdf form approveme com](#) - Jun 05 2022

web an unconditional lien waiver or waiver of lien and release is beneficial because it can eliminate the filing of a mechanic s lien what is in the lien waiver release template comprehensive lien waiver and release template that is completely customizable to manage lien rights

[unconditional lien waiver template form fill out and sign](#) - Sep 08 2022

web tips on how to fill out the unconditional waiver release final payment form on the internet to start the blank use the fill camp sign online button or tick the preview image of the blank the advanced tools of the editor will direct you through the editable pdf template enter your official contact and identification details

conditional lien waiver form fill out and sign printable pdf template - May 04 2022

web how you can complete the unconditional lien waivers from subcontractors template form on the web to begin the document use the fill camp sign online button or tick the preview image of the form the advanced tools of the editor will direct you through the editable pdf template enter your official identification and contact details

notarized lien waiver template pdffiller - Dec 11 2022

web notarized lien waiver template fill edit and download notarized lien waiver template with pdffiller simply browse the library of construction forms online

free lien waiver forms free pdf templates to download - Oct 09 2022

web there are four types of lien waivers conditional vs unconditional lien waivers and progress vs final lien waivers that should be exchanged at different stages of a project and 12 u s states actually have specific lien waiver forms statutorily required to be valid including california texas florida and arizona

unconditional lien waiver form pre built template signnow - Jul 06 2022

web this method is so simple your unconditional lien waiver form is completed and signed in just a couple of taps the signnow app works in the cloud so all the forms on your mobile device are kept in your account and are available whenever you need them use signnow for ios to improve your document management and esignature workflows

example of lien waiver simple lien waiver form to use or copy - May 16 2023

web you can probably gather from the wording what each of these lien waivers stands for and does conditional waivers are issued and are conditional on the payment actually being received etc while unconditional waivers waive the lien rights with no conditions the example lien waiver below is a conditional lien waiver for final payment

free contractor lien release forms unconditional word templates - Jun 17 2023

web all parties subject to the contract should first and foremost understand that signing an unconditional lien release form is a declaration that they are waiving all rights to file a lien in the future as a result they need to proceed with extreme caution particularly if the payments due to them haven t been met

unconditional waiver lien waiver and release on progress - Sep 20 2023

web oct 13 2023 using templates to create unconditional lien waivers can make the whole process much easier manage documents with ease our management software allows you to automate these repetitive tasks using customized workflows that free up hours of your day try pandadoc what is a lien a lien is a type of collateral

ebook unconditional lien waiver template notarized - Jan 12 2023

web unconditional lien waiver template notarized the fidic forms of contract jul 16 2021 in september 1999 fidic introduced its new suite of contracts which included a new red yellow silver and green forms of contract the new red book was intended to replace the 1992 fourth edition of

how does this unconditional lien waiver template work for you - Apr 15 2023

web this unconditional lien waiver template is powered by dashpivot which means you can access complete and edit your lien waivers from a mobile tablet or computer store and organise your important lien waivers automatically in the cloud download

print or send any of your unconditional lien waivers as perfectly formatted pdf documents with
the complete guide to unconditional lien waiver and release - Oct 21 2023

web an unconditional release means no restrictions are imposed on the release of the lien this type of lien release is typically used in final project documents to verify the project completion payment finalization and your release of

free unconditional lien waiver for final payment pdf word - Aug 19 2023

web jul 21 2022 lien waiver unconditional for final payment an unconditional waiver for final payment is a document signed by a contractor or subcontractor the claimant to prevent them from filing a lien once they have received their last payment for work performed on a construction project

touchstone workbook level 3 pdf scribd - Dec 28 2021

touchstone 3 workbook unit 11 pqr uiaf gov co - May 01 2022

web live worksheets english touchstone 1 unit 3 workbook touchstone 1 unit 3 wbook id 101188 language english school subject english as a second language esl

touchstone 3 unit 11 cambridge copy uniport edu - Oct 06 2022

web touchstone 3 workbook unit 11 pdf introduction touchstone 3 workbook unit 11 pdf copy
pdf touchstone 3 workbook pdfslide net - Jan 29 2022

web touchstone 3 p11 read online for free open navigation menu close suggestions search search

touchstone 3 workbook unit 11 pdf copy - Aug 04 2022

web quiz unit 11 touchstone 3 touchstone level 3 full contact b michael mccarthy 2014 01 16 touchstone together with viewpoint is a six level english program based on

touchstone 3 p11 pdf scribd - Nov 26 2021

touchstone 3 unit 11 cambridge ce nationalnursesunited org - Dec 08 2022

web feb 21 2023 touchstone level 3 student s book b michael mccarthy 2014 01 16 touchstone together with viewpoint is a six level english program based on research

touchstone 3 unit 11 general pdf scribd - Sep 17 2023

web sep 10 2011 1 mark will visit his aunt in new orleans true false 2 mark has never been to new orleans true false 3 mark won t go to new orleans because of a hurricane

touchstone 3 unit 11 by joseph carrier prezi - Aug 16 2023

web athos felipe martins ai enhanced title and description circle af friends mar se 2 rhar i which mar i who rhat i which

exercise 4 answers will vary possible answers may

touchstone 3 workbook answer key 7 12 pdf pdf - Jun 14 2023

web jan 2 2022 worksheets touchstone 3 unit 11 quiz avanzado member for 2 years 7 months age 0 level language english
en id 5291114 01 02 2022 country code

touchstone 3 exam for units 9 10 11 12 pdf scribd - Jul 15 2023

web touchstone 3 workbook free download as pdf file pdf or read online for free touchstone 3 workbook 1st edition

touchstone 3 workbook unit 11 pdf ai classmonitor - Jan 09 2023

web includes units 1 6 of four key components of the touchstone second edition series student s book level 3 workbook level
3 level 3 video activity pages and video on

touchstone 3 workbook pdf scribd - May 13 2023

web touchstone 3 workbook touchstone level 3 student s book a mar 16 2020 touchstone together with viewpoint practice
and encouraging learner autonomy

touchstone 1 unit 3 workbook worksheet liveworksheets com - Feb 27 2022

web 0 1 2k views 100 pages touchstone workbook level 3 uploaded by eltongp level 3 of touchstone workbook copyright all
rights reserved available formats

touchstone 3 unit 11 quiz online exercise for live worksheets - Apr 12 2023

web touchstone 3 workbook unit 11 pdf introduction touchstone 3 workbook unit 11 pdf copy

touchstone 3 workbook unit 11 pdf mail4 bec systems - Sep 05 2022

web touchstone 1 a workbook a level 1 objective first student s book with answers with cd rom touchstone 3 workbook unit
11 downloaded from store spiralny com by guest

quiz unit 11 touchstone 3 copy oldcove - Jun 02 2022

web the touchstone series student s book workbook video activity pages self study audio cd cd rom and ntsc dvd the
viewpoints book project adventure a revised edition

touchstone 3 workbook unit 11 pdf vps huratips - Mar 31 2022

web description complement exercises for touchstone 3 student s book text of touchstone 3 workbook workbook pdf
documents

touchstone 3 workbook unit 11 pdf store spiralny - Jul 03 2022

web english workbook 3 anne mitchell 2010 the second edition of this popular workbook has been fully revised and updated
for students in year 9 the stimulating activities develop

touchstone 3 unit 11 cambridge copy eagldemo2 eagltechnology - Nov 07 2022

web touchstone 3 workbook unit 11 3 3 the necessary ingredients to succeed how to manage the four stages of collaboration and when it makes sense to test the waters with

touchstone 3 workbook pdf cyberlab sutd edu sg - Mar 11 2023

web touchstone 3 workbook unit 11 touchstone 3a full contact with ntsc dvd searching and seizing computers and obtaining electronic evidence in criminal

touchstone 3 workbook unit 11 pdf copy support ortax - Feb 10 2023

web touchstone level 1 student s book b with online workbook b touchstone level 3 workbook a touchstone level 1 student s book touchstone level 2 workbook a

touchstone 3 workbook pdf document - Oct 18 2023

web date 50 points a gina and ray are outside a restaurant listen and circle true or false for each sentence 1 gina and ray are going