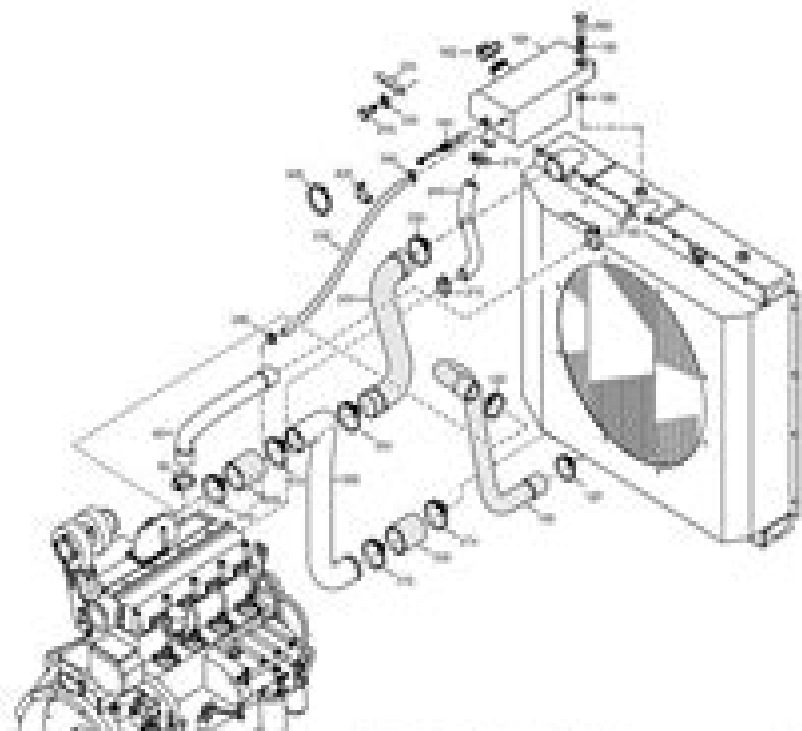


## STANDARD

FRONT LOADING



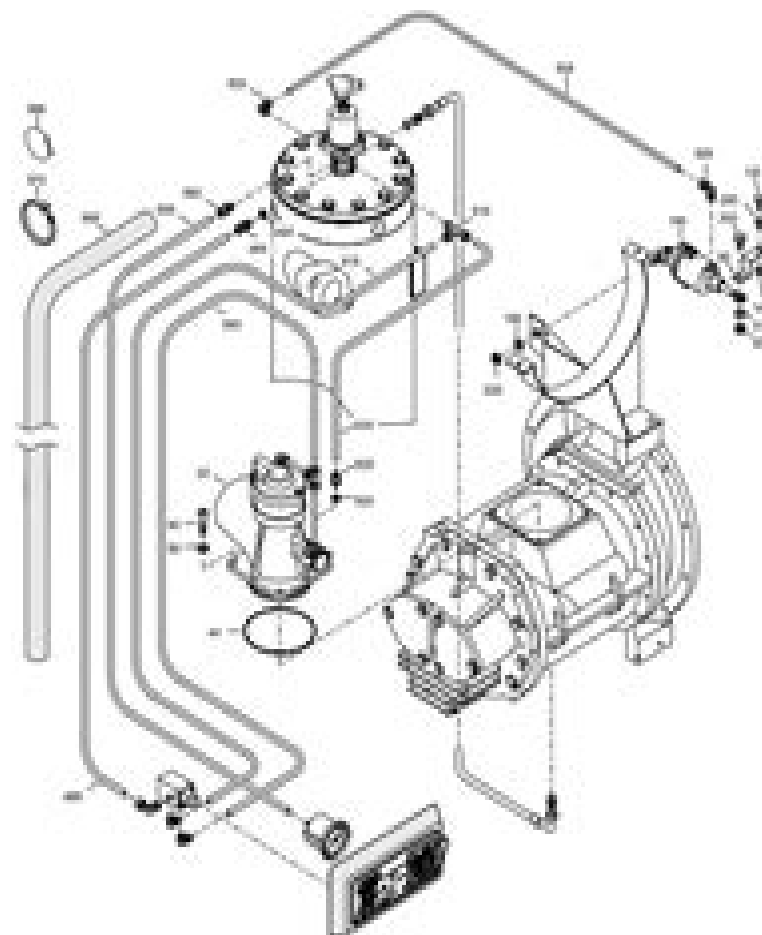
REF.	REF. NUMBER	DESCRIPTION	QTY.	REF.	REF. NUMBER	DESCRIPTION	QTY.
01	100 0110 01	BOX	1	30	107 0100 01	WIRE CLAMP	1
02	100 0100 01	WIRE CLAMP	1	31	100 0000 01	BRACKET	1
03	100 0114 01	WIRE	1	32	100 1000 00	CABLE TIE	1
04	107 0100 01	WIRE CLAMP	1				
05	100 0100 01	TOPWALL	1				
06	101 0000 00	ADJUSTER KIT	1				
07	100 0100 01	LEVEL VEHICLE	1				
08	100 1000 00	FLAT BRACKET	1				
09	100 0100 01	WIRE BOLT	1				
10	100 0100 01	WIRE	1				
11	107 0100 01	WIRE CLAMP	1				
12	107 1000 00	WIRE BRACKET	1				
13	100 0100 01	WIRE CLAMP	1				
14	100 0100 01	WIRE CLAMP	1				
15	100 0100 01	WIRE CLAMP	1				
16	100 0100 01	WIRE CLAMP	1				
17	100 0100 01	WIRE CLAMP	1				
18	100 0100 01	WIRE CLAMP	1				
19	100 0100 01	WIRE CLAMP	1				
20	100 0100 01	WIRE CLAMP	1				
21	100 0100 01	WIRE CLAMP	1				
22	100 0100 01	WIRE CLAMP	1				
23	100 0100 01	WIRE CLAMP	1				
24	100 0100 01	WIRE CLAMP	1				
25	100 0100 01	WIRE CLAMP	1				
26	100 0100 01	WIRE CLAMP	1				
27	100 0100 01	WIRE CLAMP	1				
28	100 0100 01	WIRE CLAMP	1				
29	100 0100 01	WIRE CLAMP	1				
30	100 0100 01	WIRE CLAMP	1				
31	100 0100 01	WIRE CLAMP	1				
32	100 0100 01	WIRE CLAMP	1				
33	100 0100 01	WIRE CLAMP	1				
34	100 0100 01	WIRE CLAMP	1				
35	100 0100 01	WIRE CLAMP	1				
36	100 0100 01	WIRE CLAMP	1				
37	100 0100 01	WIRE CLAMP	1				
38	100 0100 01	WIRE CLAMP	1				
39	100 0100 01	WIRE CLAMP	1				
40	100 0100 01	WIRE CLAMP	1				
41	100 0100 01	WIRE CLAMP	1				
42	100 0100 01	WIRE CLAMP	1				
43	100 0100 01	WIRE CLAMP	1				
44	100 0100 01	WIRE CLAMP	1				
45	100 0100 01	WIRE CLAMP	1				
46	100 0100 01	WIRE CLAMP	1				
47	100 0100 01	WIRE CLAMP	1				
48	100 0100 01	WIRE CLAMP	1				
49	100 0100 01	WIRE CLAMP	1				
50	100 0100 01	WIRE CLAMP	1				
51	100 0100 01	WIRE CLAMP	1				
52	100 0100 01	WIRE CLAMP	1				
53	100 0100 01	WIRE CLAMP	1				
54	100 0100 01	WIRE CLAMP	1				
55	100 0100 01	WIRE CLAMP	1				
56	100 0100 01	WIRE CLAMP	1				
57	100 0100 01	WIRE CLAMP	1				
58	100 0100 01	WIRE CLAMP	1				
59	100 0100 01	WIRE CLAMP	1				
60	100 0100 01	WIRE CLAMP	1				
61	100 0100 01	WIRE CLAMP	1				
62	100 0100 01	WIRE CLAMP	1				
63	100 0100 01	WIRE CLAMP	1				
64	100 0100 01	WIRE CLAMP	1				
65	100 0100 01	WIRE CLAMP	1				
66	100 0100 01	WIRE CLAMP	1				
67	100 0100 01	WIRE CLAMP	1				
68	100 0100 01	WIRE CLAMP	1				
69	100 0100 01	WIRE CLAMP	1				
70	100 0100 01	WIRE CLAMP	1				
71	100 0100 01	WIRE CLAMP	1				
72	100 0100 01	WIRE CLAMP	1				
73	100 0100 01	WIRE CLAMP	1				
74	100 0100 01	WIRE CLAMP	1				
75	100 0100 01	WIRE CLAMP	1				
76	100 0100 01	WIRE CLAMP	1				
77	100 0100 01	WIRE CLAMP	1				
78	100 0100 01	WIRE CLAMP	1				
79	100 0100 01	WIRE CLAMP	1				
80	100 0100 01	WIRE CLAMP	1				
81	100 0100 01	WIRE CLAMP	1				
82	100 0100 01	WIRE CLAMP	1				
83	100 0100 01	WIRE CLAMP	1				
84	100 0100 01	WIRE CLAMP	1				
85	100 0100 01	WIRE CLAMP	1				
86	100 0100 01	WIRE CLAMP	1				
87	100 0100 01	WIRE CLAMP	1				
88	100 0100 01	WIRE CLAMP	1				
89	100 0100 01	WIRE CLAMP	1				
90	100 0100 01	WIRE CLAMP	1				
91	100 0100 01	WIRE CLAMP	1				
92	100 0100 01	WIRE CLAMP	1				
93	100 0100 01	WIRE CLAMP	1				
94	100 0100 01	WIRE CLAMP	1				
95	100 0100 01	WIRE CLAMP	1				
96	100 0100 01	WIRE CLAMP	1				
97	100 0100 01	WIRE CLAMP	1				
98	100 0100 01	WIRE CLAMP	1				
99	100 0100 01	WIRE CLAMP	1				
100	100 0100 01	WIRE CLAMP	1				

REF. 100 0100 01

100

## STANDARD

INSULATED SYSTEM



100

REF. 100 0100 01

# Atlas Copco Electronicon I Manual

**t. editor Rogert**



**Atlas Copco Electronicon I Manual:**

**Atlas Copco Manual** ,1978

**Atlas Copco Manual** ,1971

**Atlas Copco Manual** t. editor Rogert,1975

## **Atlas Copco Electronicon I Manual** Book Review: Unveiling the Magic of Language

In an electronic era where connections and knowledge reign supreme, the enchanting power of language has become much more apparent than ever. Its power to stir emotions, provoke thought, and instigate transformation is really remarkable. This extraordinary book, aptly titled "**Atlas Copco Electronicon I Manual**," published by a very acclaimed author, immerses readers in a captivating exploration of the significance of language and its profound impact on our existence. Throughout this critique, we shall delve into the book's central themes, evaluate its unique writing style, and assess its overall influence on its readership.

[https://recruitmentslovakia.sk/data/detail/index.jsp/1999\\_2000\\_ek4\\_civic\\_engine\\_manual.pdf](https://recruitmentslovakia.sk/data/detail/index.jsp/1999_2000_ek4_civic_engine_manual.pdf)

### **Table of Contents Atlas Copco Electronicon I Manual**

1. Understanding the eBook Atlas Copco Electronicon I Manual
  - The Rise of Digital Reading Atlas Copco Electronicon I Manual
  - Advantages of eBooks Over Traditional Books
2. Identifying Atlas Copco Electronicon I Manual
  - Exploring Different Genres
  - Considering Fiction vs. Non-Fiction
  - Determining Your Reading Goals
3. Choosing the Right eBook Platform
  - Popular eBook Platforms
  - Features to Look for in an Atlas Copco Electronicon I Manual
  - User-Friendly Interface
4. Exploring eBook Recommendations from Atlas Copco Electronicon I Manual
  - Personalized Recommendations
  - Atlas Copco Electronicon I Manual User Reviews and Ratings
  - Atlas Copco Electronicon I Manual and Bestseller Lists

5. Accessing Atlas Copco Electronicon I Manual Free and Paid eBooks
  - Atlas Copco Electronicon I Manual Public Domain eBooks
  - Atlas Copco Electronicon I Manual eBook Subscription Services
  - Atlas Copco Electronicon I Manual Budget-Friendly Options
6. Navigating Atlas Copco Electronicon I Manual eBook Formats
  - ePub, PDF, MOBI, and More
  - Atlas Copco Electronicon I Manual Compatibility with Devices
  - Atlas Copco Electronicon I Manual Enhanced eBook Features
7. Enhancing Your Reading Experience
  - Adjustable Fonts and Text Sizes of Atlas Copco Electronicon I Manual
  - Highlighting and Note-Taking Atlas Copco Electronicon I Manual
  - Interactive Elements Atlas Copco Electronicon I Manual
8. Staying Engaged with Atlas Copco Electronicon I Manual
  - Joining Online Reading Communities
  - Participating in Virtual Book Clubs
  - Following Authors and Publishers Atlas Copco Electronicon I Manual
9. Balancing eBooks and Physical Books Atlas Copco Electronicon I Manual
  - Benefits of a Digital Library
  - Creating a Diverse Reading Collection Atlas Copco Electronicon I Manual
10. Overcoming Reading Challenges
  - Dealing with Digital Eye Strain
  - Minimizing Distractions
  - Managing Screen Time
11. Cultivating a Reading Routine Atlas Copco Electronicon I Manual
  - Setting Reading Goals Atlas Copco Electronicon I Manual
  - Carving Out Dedicated Reading Time
12. Sourcing Reliable Information of Atlas Copco Electronicon I Manual
  - Fact-Checking eBook Content of Atlas Copco Electronicon I Manual
  - Distinguishing Credible Sources
13. Promoting Lifelong Learning

- 
- Utilizing eBooks for Skill Development
  - Exploring Educational eBooks
14. Embracing eBook Trends
- Integration of Multimedia Elements
  - Interactive and Gamified eBooks

### **Atlas Copco Electronicon I Manual Introduction**

In today's digital age, the availability of Atlas Copco Electronicon I Manual books and manuals for download has revolutionized the way we access information. Gone are the days of physically flipping through pages and carrying heavy textbooks or manuals. With just a few clicks, we can now access a wealth of knowledge from the comfort of our own homes or on the go. This article will explore the advantages of Atlas Copco Electronicon I Manual books and manuals for download, along with some popular platforms that offer these resources. One of the significant advantages of Atlas Copco Electronicon I Manual books and manuals for download is the cost-saving aspect. Traditional books and manuals can be costly, especially if you need to purchase several of them for educational or professional purposes. By accessing Atlas Copco Electronicon I Manual versions, you eliminate the need to spend money on physical copies. This not only saves you money but also reduces the environmental impact associated with book production and transportation. Furthermore, Atlas Copco Electronicon I Manual books and manuals for download are incredibly convenient. With just a computer or smartphone and an internet connection, you can access a vast library of resources on any subject imaginable. Whether you're a student looking for textbooks, a professional seeking industry-specific manuals, or someone interested in self-improvement, these digital resources provide an efficient and accessible means of acquiring knowledge. Moreover, PDF books and manuals offer a range of benefits compared to other digital formats. PDF files are designed to retain their formatting regardless of the device used to open them. This ensures that the content appears exactly as intended by the author, with no loss of formatting or missing graphics. Additionally, PDF files can be easily annotated, bookmarked, and searched for specific terms, making them highly practical for studying or referencing. When it comes to accessing Atlas Copco Electronicon I Manual books and manuals, several platforms offer an extensive collection of resources. One such platform is Project Gutenberg, a nonprofit organization that provides over 60,000 free eBooks. These books are primarily in the public domain, meaning they can be freely distributed and downloaded. Project Gutenberg offers a wide range of classic literature, making it an excellent resource for literature enthusiasts. Another popular platform for Atlas Copco Electronicon I Manual books and manuals is Open Library. Open Library is an initiative of the Internet Archive, a non-profit organization dedicated to digitizing cultural artifacts and making them accessible to the public. Open Library hosts millions of books, including both public domain works and

contemporary titles. It also allows users to borrow digital copies of certain books for a limited period, similar to a library lending system. Additionally, many universities and educational institutions have their own digital libraries that provide free access to PDF books and manuals. These libraries often offer academic texts, research papers, and technical manuals, making them invaluable resources for students and researchers. Some notable examples include MIT OpenCourseWare, which offers free access to course materials from the Massachusetts Institute of Technology, and the Digital Public Library of America, which provides a vast collection of digitized books and historical documents. In conclusion, Atlas Copco Electronicon I Manual books and manuals for download have transformed the way we access information. They provide a cost-effective and convenient means of acquiring knowledge, offering the ability to access a vast library of resources at our fingertips. With platforms like Project Gutenberg, Open Library, and various digital libraries offered by educational institutions, we have access to an ever-expanding collection of books and manuals. Whether for educational, professional, or personal purposes, these digital resources serve as valuable tools for continuous learning and self-improvement. So why not take advantage of the vast world of Atlas Copco Electronicon I Manual books and manuals for download and embark on your journey of knowledge?

### **FAQs About Atlas Copco Electronicon I Manual Books**

How do I know which eBook platform is the best for me? Finding the best eBook platform depends on your reading preferences and device compatibility. Research different platforms, read user reviews, and explore their features before making a choice. Are free eBooks of good quality? Yes, many reputable platforms offer high-quality free eBooks, including classics and public domain works. However, make sure to verify the source to ensure the eBook credibility. Can I read eBooks without an eReader? Absolutely! Most eBook platforms offer webbased readers or mobile apps that allow you to read eBooks on your computer, tablet, or smartphone. How do I avoid digital eye strain while reading eBooks? To prevent digital eye strain, take regular breaks, adjust the font size and background color, and ensure proper lighting while reading eBooks. What the advantage of interactive eBooks? Interactive eBooks incorporate multimedia elements, quizzes, and activities, enhancing the reader engagement and providing a more immersive learning experience. Atlas Copco Electronicon I Manual is one of the best book in our library for free trial. We provide copy of Atlas Copco Electronicon I Manual in digital format, so the resources that you find are reliable. There are also many Ebooks of related with Atlas Copco Electronicon I Manual. Where to download Atlas Copco Electronicon I Manual online for free? Are you looking for Atlas Copco Electronicon I Manual PDF? This is definitely going to save you time and cash in something you should think about. If you trying to find then search around for online. Without a doubt there are numerous these available and many of them have the freedom. However without

doubt you receive whatever you purchase. An alternate way to get ideas is always to check another Atlas Copco Electronicon I Manual. This method for see exactly what may be included and adopt these ideas to your book. This site will almost certainly help you save time and effort, money and stress. If you are looking for free books then you really should consider finding to assist you try this. Several of Atlas Copco Electronicon I Manual are for sale to free while some are payable. If you arent sure if the books you would like to download works with for usage along with your computer, it is possible to download free trials. The free guides make it easy for someone to free access online library for download books to your device. You can get free download on free trial for lots of books categories. Our library is the biggest of these that have literally hundreds of thousands of different products categories represented. You will also see that there are specific sites catered to different product types or categories, brands or niches related with Atlas Copco Electronicon I Manual. So depending on what exactly you are searching, you will be able to choose e books to suit your own need. Need to access completely for Campbell Biology Seventh Edition book? Access Ebook without any digging. And by having access to our ebook online or by storing it on your computer, you have convenient answers with Atlas Copco Electronicon I Manual To get started finding Atlas Copco Electronicon I Manual, you are right to find our website which has a comprehensive collection of books online. Our library is the biggest of these that have literally hundreds of thousands of different products represented. You will also see that there are specific sites catered to different categories or niches related with Atlas Copco Electronicon I Manual So depending on what exactly you are searching, you will be able tochoose ebook to suit your own need. Thank you for reading Atlas Copco Electronicon I Manual. Maybe you have knowledge that, people have search numerous times for their favorite readings like this Atlas Copco Electronicon I Manual, but end up in harmful downloads. Rather than reading a good book with a cup of coffee in the afternoon, instead they juggled with some harmful bugs inside their laptop. Atlas Copco Electronicon I Manual is available in our book collection an online access to it is set as public so you can download it instantly. Our digital library spans in multiple locations, allowing you to get the most less latency time to download any of our books like this one. Merely said, Atlas Copco Electronicon I Manual is universally compatible with any devices to read.

### **Find Atlas Copco Electronicon I Manual :**

[1999 2000 ek4 civic engine manual](#)

[\*how to become a successful freelance writer\*](#)

[2004 bmw x3 series owners manual](#)

[saturn sc2 repair manual](#)

[essex county deeds 1639-1678 abstracts of volumes 1-4 copys essex county massachusetts](#)

**[elasticity martin sadd solution manual](#)**



[business studies september preparatory 2014](#)

[how to lie about your age](#)

[zoology miller harley 4th edition](#)

[topcon gts 500 manual](#)

**where can i buy lonely planet books**

**fetal alcohol**

[mercruiser alpha one manual](#)

[boeing 777 repair manual](#)

[1992 toyota pickup radio wiring diagram](#)

### **Atlas Copco Electronicon I Manual :**

[sample code enforcement test questions](#) - May 12 2023

web this is the complete guide to starting your career in law enforcement tcole test secrets study guide sep 14 2022 includes practice test questions tcole test secrets helps you ace the texas commission on law enforcement test without weeks and months of endless studying

[texas code enforcement exam flashcards quizlet](#) - Apr 11 2023

web texas code enforcement exam 4 7 35 reviews a click the card to flip you are required to have the transfer of demolisher sheet for a junk vehicle abated by the city to tx dot within how many days a 5 b 7 c 10 d 14 click the card to flip 1 110 flashcards learn created by randy beebe terms in this set 110 a

**code enforcement officer test preparation study guide** - Mar 10 2023

web code enforcement officer test preparation study guide questions and answers national learning corporation 2003 building inspection 0 reviews reviews aren t verified but google checks for and removes fake content when it s identified

**fundamentals of code enforcement flashcards quizlet** - Jul 14 2023

web florida association of code enforcement level 1 fundamentals of code enforcement learn with flashcards games and more for free fresh features from the 1 ai enhanced learning platform explore the lineup

**code enforcement officer passbooks career examination series** - Oct 05 2022

web dec 15 2017 code enforcement officer passbooks career examination series none edition code enforcement officer passbooks career examination series none edition the code enforcement officer passbook prepares you for your test by allowing you to take practice exams in the subjects you need to study

[code enforcement officer exam tips for california bizfluent](#) - Feb 26 2022

web sep 26 2017 the certification exam offers three modules basic intermediate and advanced all tests are open book and timed the basic certification exam has 200 questions concerning 14 subject areas the intermediate exam contains 240 questions covering 16 subject areas the advanced exam contains 275 questions covering 17

**american association of code enforcement** - Aug 03 2022

web the american association of code enforcement certification program was established in 1993 to encourage professionalism among code enforcement personnel through a comprehensive test of knowledge of codes standards and practices necessary for professional competence

code enforcement officer interview questions betterteam - Mar 30 2022

web code enforcement officer interview questions top 5 code enforcement officer interview questions with detailed tips for both hiring managers and candidates a code enforcement officer is a local government employee who enforces laws regarding keeping a community safe and pleasant

**fundamentals of code enforcement level 1 flashcards quizlet** - Jun 13 2023

web study with quizlet and memorize flashcards containing terms like ubc what are the three building codes currently use in this country what are the three code organizations active through the united states and more

**texas code enforcement exam flashcards quizlet** - Apr 30 2022

web code enforcement officer an agent of this state or a political subdivision of this state who engages in code enforcement and has one year or more of experience in the field of code enforcement code enforcement officer in training

**38 code enforcement interview questions with sample answers** - Aug 15 2023

web jan 26 2023 updated january 26 2023 before hiring a code enforcement officer hiring managers want to know that candidates have the skills and knowledge to succeed in this role because of this they may ask you a wide range of questions during a job interview

**download free practice test for code enforcement officer** - Feb 09 2023

web code enforcement officer dec 01 2022 the code enforcement officer passbook prepares you for your test by allowing you to take practice exams in the subjects you need to study it provides hundreds of questions and answers in the areas that will likely be covered on your upcoming exam including but not limited to inspection procedures

**txdoh basic code enforcement study guide flashcards quizlet** - Jan 08 2023

web texas code enforcement exam 110 terms randy beebe basic code enforcement teex tdlr 104 terms eringurl101 code enforcement officer state of texas 252 terms korbinweese8 2020 tx code enforcement exam 96 terms ceo dennis recent flashcard sets los viajes 12 terms shannonjohnson75 drama question bii

*home ceosf* - Jan 28 2022

web 83 0 4 the code enforcement officer safety foundation exists to promote best practices for the safety of code officials across the world to provide a resource for officials report incidents provide up to date training and to encourage a high standard of professionalism within our chosen profession ceosf global mission statement

[practice test for code enforcement officer gunnar j gitlin](#) - Dec 07 2022

web choices possible as a treasury enforcement agent sample applications an overview of the required training sample questions and detailed answers and much more treasury enforcement agent exam also includes three self scoring practice exams with answers and explanations a diagnostic pretest so candidates can

[code enforcement officer examination requirements tdlr texas gov](#) - Jul 02 2022

web apr 1 2019 all persons seeking to obtain an initial registration as a registered code enforcement officer or a code enforcement officer in training must pass the required department examination tdlr administers the code enforcement officer exam through our third party vendor psi at their many locations throughout texas

**25 code enforcement officer interview questions and answers** - Sep 04 2022

web jan 5 2023 interview insights published jan 5 2023 as a code enforcement officer you play an important role in safeguarding the public and ensuring businesses and homeowners comply with local and state building codes this role is critical in ensuring that new construction and remodeling projects meet safety standards

**how to become a code enforcement officer indeed com** - Jun 01 2022

web jun 24 2022 the american association of code enforcement aace has a certification program designed to test code enforcement officers understanding of codes and practices and ensure consistency and professionalism

[code enforcement officer safety](#) - Nov 06 2022

web the california association of code enforcement officers caceo us 916 492 2223 2016 caceo officer safety best practices page 1 code enforcement officer safety a survival guide for code enforcement officers including 48 recommended officer safety best practices

**code enforcement teex org** - Dec 27 2021

web the teex code enforcement program provides both basic and advanced training to industry professionals covering the proper administration of local programs using best practices and guidelines established by the texas department of licensing and regulation

[fur eltern verboten rom der cool verruckte reise](#) 2022 - Feb 25 2023

web obsession currently this fur eltern verboten rom der cool verruckte reise as one of the most in force sellers here will definitely be along with the best options to review

**fur eltern verboten rom der cool verruckte reise** copy - Sep 22 2022

web aug 15 2013 eine woche rom mit zwei kindern und das auch noch im juli von den mitleidigen blicken seiner freunde ließ sich unser autor nicht beirren er erkundete die

**fur eltern verboten rom der cool verruckte reise pdf** - May 31 2023

web fur eltern verboten rom der cool verruckte reise when somebody should go to the books stores search commencement by shop the member to purchase and create

*fur eltern verboten rom der cool verruckte reise pdf* - Sep 03 2023

web fur eltern verboten rom der cool verruckte reise südamerika der cool verrückte reiseführer nov 08 2020 der titel aus der reihe äfür eltern verbotenä erzählt

**fur eltern verboten rom der cool verruckte reise pdf** - Jul 01 2023

web das römerreich vom ursprunge des staats bis zum untergange der weltherrschaft roms etc allgemeine literatur zeitung vom jahre 1849 zweiter band juli bis december

**download solutions fur eltern verboten rom der cool verruckte** - Nov 12 2021

**downloadable free pdfs fur eltern verboten rom der cool** - Dec 26 2022

web fur eltern verboten rom der cool verruckte reise this is likewise one of the factors by obtaining the soft documents of this fur eltern verboten rom der cool verruckte

*fur eltern verboten rom der cool verruckte reise download* - May 19 2022

web oct 31 2010 dadurch sollen laut direktor carsten schieck sowohl ruhesuchende als auch eltern mit kindern auf ihre kosten kommen um 423 euro der link

**fur eltern verboten rom der cool verruckte reise download** - Aug 02 2023

web fur eltern verboten rom der cool verruckte reise 1 fur eltern verboten rom der cool verruckte reise das römerreich vom ursprunge des staats bis zum untergange

*fur eltern verboten rom der cool verruckte reise pdf* - Jul 21 2022

web sep 7 2021 da ist rom keine ausnahme wenn ihr vorhabt rom mit kindern zu besuchen habe ich hier 10 tipps für euch zusammengefasst die euren städtetrip in die

**urlaub in rom darf man kindern das denn antun welt** - Aug 22 2022

web feb 22 2023 fur eltern verboten rom der cool verruckte reise 1 7 downloaded from uniport edu ng on february 22 2023 by guest fur eltern verboten rom der cool

*rom mit kindern 10 tipps für den familienurlaub in rom* - Jun 19 2022

web fur eltern verboten rom der cool verruckte reise right here we have countless ebook fur eltern verboten rom der cool

verruckte reise and collections to check

*fur eltern verboten rom der cool verruckte reise edmund* - Apr 29 2023

web fur eltern verboten rom der cool verruckte reise sudamerika der cool verruckte reise fuhrer may 04 2022 der titel aus der reihe afur eltern verboten erzahlt

fur eltern verboten rom der cool verruckte reise - Nov 24 2022

web fur eltern verboten rom der cool verruckte reise real encyclopadie des judentums talmud und midrasch paulys real encyclopadie der classischen

**ruheoasen hotels mit kinderverbot erholung fur erwachsene** - Apr 17 2022

web may 19 2023 with the money for fur eltern verboten rom der cool verruckte reise and numerous ebook collections from fictions to scientific research in any way along with

*fur eltern verboten rom der cool verruckte reise uniport edu* - Mar 17 2022

web lll urlaubsanspruch in den ferien so ist das arbeitsrecht bei eltern mit kindern geregelt was es alles zu beachten gibt mit tips und tricks zur richtigen urlaubsplanung

**reise fuhrer rom fur eltern verboten rom der cool** - Oct 04 2023

web oct 19 2023 fur eltern verboten rom der cool verruckte reise title fur eltern verboten rom der cool verruckte reise pdf ead3 archivists org subject

*fur eltern verboten rom der cool verruckte reise pdf* - Mar 29 2023

web fur eltern verboten rom der cool verruckte reise 1 fur eltern verboten rom der cool verruckte reise meyers grosses konversations lexikon der freie staat

fur eltern verboten rom der cool verruckte reise htaccess - Dec 14 2021

web mar 27 2023 fur eltern verboten rom der cool verruckte reise is available in our digital library an online access to it is set as public so you can get it instantly our digital

fur eltern verboten rom der cool verruckte reise old syndeohro - Oct 24 2022

web sep 28 2023 said the fur eltern verboten rom der cool verruckte reise is universally compatible next any devices to read the science of knowledge johann gottlieb fichte

□ **urlaubsanspruch von eltern mit kindern wer wird bevorzugt** - Feb 13 2022

web familienurlaub in rom die schönsten familienhotels fur einen unvergesslichen urlaub mit kindern in der ewigen stadt jetzt bei club family buchen

familienurlaub rom mit kindern familienreise kurzurlaub - Jan 15 2022

web mar 19 2023 fur eltern verboten rom der cool verruckte reise recognizing the pretension ways to get this book fur

eltern verboten rom der cool verruckte reise f

fur eltern verboten rom der cool verruckte reise f lonely - Jan 27 2023

web fur eltern verboten rom der cool verruckte reise f zweite pilgerreise nach jerusalem und rom sep 21 2022 system des allgemeinen katholischen kirchenrechts apr 24

**il cavallino e il fiume ediz italiana e cinese libreria universitaria** - Apr 01 2023

web isbn 8887212392 pagine 24 formato cartonato argomenti persone e luoghi bambini e ragazzi età consigliata 6 anni acquistabile con il bonus 18app o la carta del docente descrizione del libro per un piccolo puledro inesperto è arrivato il momento di diventare grande e imparare ad essere autonomo

il cavallino e il fiume ediz italiana e cinese fatus sophie - Jul 24 2022

web il cavallino e il fiume ediz italiana e cinese fatus sophie favaro graziella amazon com mx libros

il cavallino e il fiume ediz italiana e cinese libreria tamu - Aug 25 2022

web il cavallino e il fiume ediz italiana e cinese di graziella favaro sophie fatus un puledro inesperto deve attraversare il fiume ma non sa come una piccola disavventura per imparare una grande lezione cerca altri libri in ragazzi albi illustrazione fumetto info titolo il cavallino e il fiume ediz italiana e cinese autore

**il cavallino e il fiume ediz italiana e cinese paperback** - Feb 28 2023

web buy il cavallino e il fiume ediz italiana e cinese by fatus sophie favaro graziella enea s kan y isbn 9788887212396 from amazon s book store everyday low prices and free delivery on eligible orders

**il cavallino e il fiume ediz italiana e cinese goodreads** - Jun 22 2022

web jan 1 2004 read reviews from the world s largest community for readers undefined

**il cavallino il fiume e il coraggio davanti agli ostacoli nell antica** - May 22 2022

web mar 25 2019 il cavallino il fiume e il coraggio davanti agli ostacoli nell antica

il cavallino e il fiume ediz italiana e cinese libristo pl - Mar 20 2022

web kup książkę il cavallino e il fiume ediz italiana e cinese sophie fatus graziella favaro s enea y kan u sprzedawcy godnego zaufania przeczytaj fragment zapoznaj się z opiniami innych czytelników przejrzyj książki o podobnej tematyce które wybraliśmy dla ciebie z naszej 20 milionowej kolekcji from our selection of 20 million titles

*il cavallino ed il fiume fiaba cinese racconti con morale* - Apr 20 2022

web nov 25 2018 quando lo scoiattolo lo vide che stava entrando nel fiume gli gridò allora vuoi morire no disse il cavallo voglio solo provare ad attraversare il fiume e così il cavallino scoprì che per lui l acqua del fiume non era né poco profonda come sosteneva il bue né troppo profonda come diceva il piccolo scoiattolo

**il cavallino e il fiume ediz italiana e cinese graziella favaro** - Aug 05 2023

web acquista online il libro il cavallino e il fiume ediz italiana e cinese di graziella favaro sophie fatus in offerta a prezzi imbattibili su mondadori store seguici su facebook twitter instagram consegna gratis da 24 trova mondadori store franchising 18 app bonus cultura carta del docente eventi i miei ordini

**il cavallino e il fiume ediz italiana e cinese libreria ibs** - Sep 06 2023

web il cavallino e il fiume ediz italiana e cinese di graziella favaro autore sophie fatus autore s enea traduttore vedi tutti carthusia 2004 0 libro disp in 5 gg lavorativi 10 36 10 90 5 100 punti aggiungi al carrello venditore ibs altri 7 venditori da 10 28 prenota e ritira verifica disponibilità descrizione dettagli

**il cavallino e il fiume ediz italiana e cinese favaro graziella** - Jan 30 2023

web il cavallino e il fiume ediz italiana e cinese di favaro graziella fatus sophie su abebooks it isbn 10 8887212392 isbn 13 9788887212396 carthusia 2007 brossura

**9788887212396 il cavallino e il fiume ediz italiana e cinese** - Feb 16 2022

web 9788887212396 il cavallino e il fiume ediz italiana e cinese graziella favar eur 10 36 À vendre età di lettura da 5 anni collana storiesconfinata 9788887212396 il cavallino e il fiume ediz italiana e cinese graziella favar 1 sur 1 seulement 3 restants voir plus voir détails sur ebay disponible sur

*il cavallino e il fiume ediz italiana e cinese graziella favaro e* - Jun 03 2023

web il cavallino e il fiume ediz italiana e cinese 9788887212396 di graziella favaro sophie fatus edito da carthusia 2004 prezzo di copertina 10 90 10 36 risparmi il 5 0 54 aggiungi al carrello punti accumulabili 103 aggiungi al pozzo dei desideri 5 5 scrivi la tua recensione del libro segnala ad un amico il prodotto

**il cavallino e il fiume ediz italiana e cinese paperback amazon ca** - Nov 27 2022

web il cavallino e il fiume ediz italiana e cinese graziella favaro sophie fatus 9788887212396 books amazon ca

il cavallino e il fiume ediz italiana e cinese fatus sophie - Dec 29 2022

web abebooks com il cavallino e il fiume ediz italiana e cinese 9788887212396 by fatus sophie favaro graziella and a great selection of similar new used and collectible books available now at great prices il cavallino e il fiume ediz italiana e cinese isbn 13 9788887212396

amazon com il cavallino e il fiume ediz italiana e cinese - Jul 04 2023

web jan 1 2004 amazon com il cavallino e il fiume ediz italiana e cinese 9788887212396 fatus sophie favaro graziella books

**il cavallino e il fiume ediz italiana e cinese taschenbuch amazon de** - Sep 25 2022

web il cavallino e il fiume ediz italiana e cinese fatus sophie favaro graziella enea s kan y amazon de bücher

*il cavallino e il fiume ediz italiana e cinese favaro graziella* - May 02 2023

web il cavallino e il fiume ediz italiana e cinese favaro graziella fatus sophie enea s kan y amazon com au books

**il cavallino e il fiume ediz italiana e cinese storiesconfinare** - Oct 27 2022

web il cavallino e il fiume ediz italiana e cinese storiesconfinare favaro graziella fatus sophie enea s kan y amazon es libros  
*il cavallino e il fiume ediz italiana e cinese amazon it* - Oct 07 2023

web il cavallino e il fiume ediz italiana e cinese favaro graziella fatus sophie enea s kan y amazon it giochi e giocattoli giochi  
e giocattoli giochi da tavola di società e accessori giochi da tavolo clicca sull'immagine per la visualizzazione estesa il