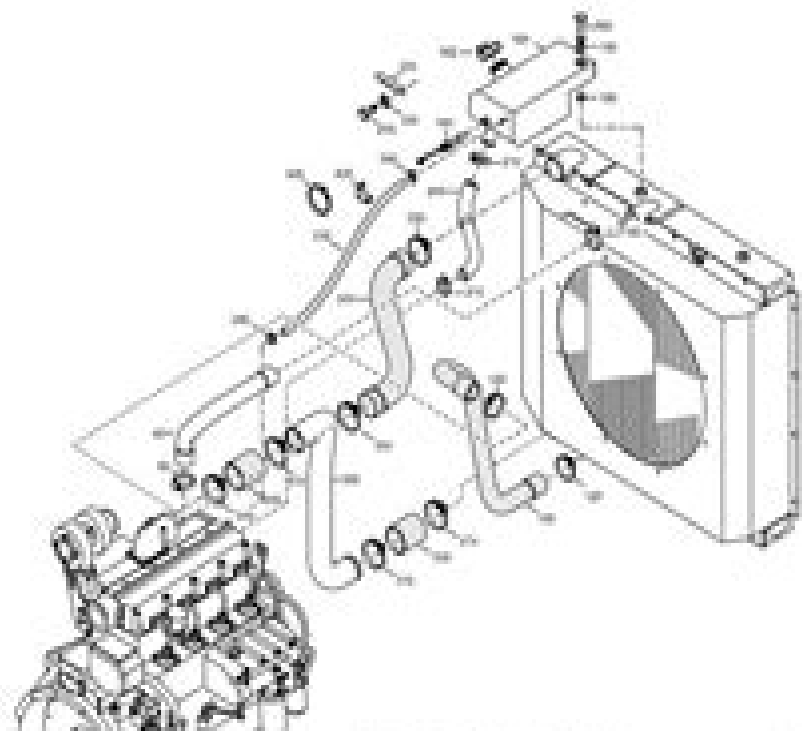


STANDARD

FRONT LOADING



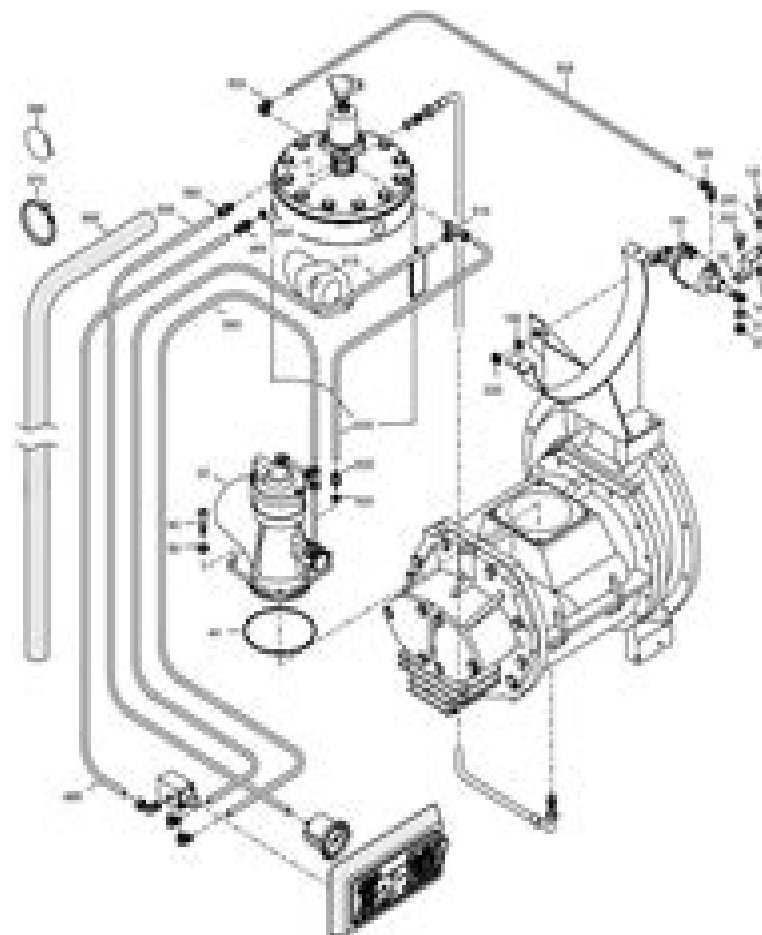
REF.	REF. NUMBER	DESCRIPTION	QTY.	REF.	REF. NUMBER	DESCRIPTION	QTY.
01	100 0110 01	BOX	1	30	107 010 01	WIRE CLAMP	1
02	107 010 01	WIRE CLAMP	1	31	101 000 01	BRACKET	1
03	100 0114 01	WIRE	1	32	100 100 01	CABLE TIE	1
04	107 010 01	WIRE CLAMP	1				
05	100 0100 01	TOPWALL	1				
06	101 0010 01	Adjustable Feet	4				
07	100 0100 01	LEVEL VENTIL	1				
08	100 1000 01	FLAT WASHER	1				
09	100 0100 01	WATER INLET	1				
10	100 0100 01	BOX	1				
11	107 010 01	WIRE CLAMP	1				
12	107 010 01	WIRE CLAMP	1				
13	107 1010 01	WIRE BRACKET	1				
14	100 1010 01	LOCK TUMBLER	1				
15	100 0010 01	BRACKET	1				
16	075 0010 01	FIXED HOSE	1				
17	107 010 01	WIRE CLAMP	1				
18	100 0110 01	WIRE	1				
19	107 010 01	WIRE CLAMP	1				
20	100 0100 01	BOX	1				
21	107 010 01	WIRE CLAMP	1				
22	100 0100 01	WIRE INTERCOOLER	1				

REV. 01/04/2017

1/1

STANDARD

WASHER DRYER SYSTEM



1/1

REV. 01/04/2017

Atlas Copco Compressor Manual

JE Gale



Atlas Copco Compressor Manual:

Compressed Air Manual Atlas Copco Compressor AB,1998 **Atlas Copco Manual** Atlas Copco AB.,1993 Air and Gas Drilling Manual William C. Lyons,2009-01-15 The third edition of Air and Gas Drilling Manual describes the basic simulation models for drilling deep wells with air or gas drilling fluids gasified two phase drilling fluids and stable foam drilling fluids The models are the basis for the development of a systematic method for planning under balanced deep well drilling operations and for monitoring the drilling operation as well as construction project advances Air and Gas Drilling Manual discusses both oil and natural gas industry applications and geotechnical water well environmental mining industry applications Important well construction and completion issues are discussed for all applications The engineering analyses techniques are used to develop pre operations planning methods troubleshooting operations monitoring techniques and overall operations risk analysis The essential objective of the book is drilling and well construction cost management control The book is in both SI and British Imperial units Master the air and gas drilling techniques in construction and development of water wells monitoring wells geotechnical boreholes mining operations boreholes and more 30% of all wells drilled use gas and air according to the U S Department of Energy estimates Contains basic simulation equations with examples for direct and reverse circulation drilling models and examples for air and gas gasified fluids and stable foam drilling models Atlas Copco Air Compressor - Blg 16 Operation Manual J. B. Hopkinson,1962 **Air Force Manual** United States. Department of the Air Force,1966 Compressor Installation Manual ,1967 Fish Rearing Manual ,1981 Technical Manual United States. War Department,1943 Operator, Organizational, Direct and General Support, and Depot Maintenance Manual ,1973 **Compressed Air Manual** ,1998 Diesel Engine Maintenance Training Manual Bureau of Ships,2015-01-15 Very complete and comprehensive manual for the service and repair of all large Marine Diesel Engines Reprint of the original book from 1946 **Western Industry and Western Industrial Guide** ,1959 The Compressor Plant Atlas Copco (Stockholm),1953 Diesel Engine Maintenance Training Manual, U.S. Navy. February, 1946 United States. Navy Department. Bureau of Ships,1946 Monthly Catalogue, United States Public Documents ,1990 **Poor's Manual of Railroads** ,1887 **Organizational Maintenance Manual** ,1971 **Drilling and Blasting of Rocks** FranciscoJavier AyalaCarcedo,2017-11-22 Rock breakage with explosives has existed since the seventeenth century when black powder came into use in mining Since then it has progressed from the invention of dynamite to the use of heavy ANFO During the past two decades there have been numerous technical contributions which have brought a better understanding of rock fragmentation with explosives an improvement in drilling equipment and a noticeable evolution in the development of new explosives and blasting accessories The Geomining Technological Institute of Spain ITCE aware of this progress and of the importance which the breakage process has acquired in mining and civil engineering projects has ordered the publication of Drilling and Blasting of Rocks The purpose of this Handbook is to give basic knowledge of the drilling systems the types of available

explosives and the accessories and the parameters that intervene in blast designing whether controllable or not at the same time the objectives and contents contribute to improved safety in mining The Handbook is meant for all professionals who are involved with explosives in mining operations and civil engineering projects as well as for students of technical schools

Machinery and Production Engineering ,1967 Mining and Rock Construction Technology Desk Reference Agne Rustan,Claude Cunningham,William Fourney,Alex Spathis,K.R.Y. Simha,2010-11-10 A comprehensive and illustrated desk reference with terms definitions explanations abbreviations trade names quantifications units and symbols used in rock mechanics drilling and blasting Now including rock mechanics as well this updated edition presents 5127 terms 637 symbols 507 references 236 acronyms 108 formulas 68 figures 47 ta

As recognized, adventure as competently as experience virtually lesson, amusement, as well as conformity can be gotten by just checking out a book **Atlas Copco Compressor Manual** afterward it is not directly done, you could undertake even more something like this life, not far off from the world.

We come up with the money for you this proper as skillfully as simple quirk to acquire those all. We allow Atlas Copco Compressor Manual and numerous ebook collections from fictions to scientific research in any way. in the midst of them is this Atlas Copco Compressor Manual that can be your partner.

https://recruitmentslovakia.sk/About/scholarship/default.aspx/Grade12_September_2013_Memo.pdf

Table of Contents Atlas Copco Compressor Manual

1. Understanding the eBook Atlas Copco Compressor Manual
 - The Rise of Digital Reading Atlas Copco Compressor Manual
 - Advantages of eBooks Over Traditional Books
2. Identifying Atlas Copco Compressor Manual
 - Exploring Different Genres
 - Considering Fiction vs. Non-Fiction
 - Determining Your Reading Goals
3. Choosing the Right eBook Platform
 - Popular eBook Platforms
 - Features to Look for in an Atlas Copco Compressor Manual
 - User-Friendly Interface
4. Exploring eBook Recommendations from Atlas Copco Compressor Manual
 - Personalized Recommendations
 - Atlas Copco Compressor Manual User Reviews and Ratings
 - Atlas Copco Compressor Manual and Bestseller Lists
5. Accessing Atlas Copco Compressor Manual Free and Paid eBooks

- Atlas Copco Compressor Manual Public Domain eBooks
 - Atlas Copco Compressor Manual eBook Subscription Services
 - Atlas Copco Compressor Manual Budget-Friendly Options
6. Navigating Atlas Copco Compressor Manual eBook Formats
 - ePub, PDF, MOBI, and More
 - Atlas Copco Compressor Manual Compatibility with Devices
 - Atlas Copco Compressor Manual Enhanced eBook Features
 7. Enhancing Your Reading Experience
 - Adjustable Fonts and Text Sizes of Atlas Copco Compressor Manual
 - Highlighting and Note-Taking Atlas Copco Compressor Manual
 - Interactive Elements Atlas Copco Compressor Manual
 8. Staying Engaged with Atlas Copco Compressor Manual
 - Joining Online Reading Communities
 - Participating in Virtual Book Clubs
 - Following Authors and Publishers Atlas Copco Compressor Manual
 9. Balancing eBooks and Physical Books Atlas Copco Compressor Manual
 - Benefits of a Digital Library
 - Creating a Diverse Reading Collection Atlas Copco Compressor Manual
 10. Overcoming Reading Challenges
 - Dealing with Digital Eye Strain
 - Minimizing Distractions
 - Managing Screen Time
 11. Cultivating a Reading Routine Atlas Copco Compressor Manual
 - Setting Reading Goals Atlas Copco Compressor Manual
 - Carving Out Dedicated Reading Time
 12. Sourcing Reliable Information of Atlas Copco Compressor Manual
 - Fact-Checking eBook Content of Atlas Copco Compressor Manual
 - Distinguishing Credible Sources
 13. Promoting Lifelong Learning
 - Utilizing eBooks for Skill Development

- Exploring Educational eBooks
- 14. Embracing eBook Trends
 - Integration of Multimedia Elements
 - Interactive and Gamified eBooks

Atlas Copco Compressor Manual Introduction

In the digital age, access to information has become easier than ever before. The ability to download Atlas Copco Compressor Manual has revolutionized the way we consume written content. Whether you are a student looking for course material, an avid reader searching for your next favorite book, or a professional seeking research papers, the option to download Atlas Copco Compressor Manual has opened up a world of possibilities. Downloading Atlas Copco Compressor Manual provides numerous advantages over physical copies of books and documents. Firstly, it is incredibly convenient. Gone are the days of carrying around heavy textbooks or bulky folders filled with papers. With the click of a button, you can gain immediate access to valuable resources on any device. This convenience allows for efficient studying, researching, and reading on the go. Moreover, the cost-effective nature of downloading Atlas Copco Compressor Manual has democratized knowledge. Traditional books and academic journals can be expensive, making it difficult for individuals with limited financial resources to access information. By offering free PDF downloads, publishers and authors are enabling a wider audience to benefit from their work. This inclusivity promotes equal opportunities for learning and personal growth. There are numerous websites and platforms where individuals can download Atlas Copco Compressor Manual. These websites range from academic databases offering research papers and journals to online libraries with an expansive collection of books from various genres. Many authors and publishers also upload their work to specific websites, granting readers access to their content without any charge. These platforms not only provide access to existing literature but also serve as an excellent platform for undiscovered authors to share their work with the world. However, it is essential to be cautious while downloading Atlas Copco Compressor Manual. Some websites may offer pirated or illegally obtained copies of copyrighted material. Engaging in such activities not only violates copyright laws but also undermines the efforts of authors, publishers, and researchers. To ensure ethical downloading, it is advisable to utilize reputable websites that prioritize the legal distribution of content. When downloading Atlas Copco Compressor Manual, users should also consider the potential security risks associated with online platforms. Malicious actors may exploit vulnerabilities in unprotected websites to distribute malware or steal personal information. To protect themselves, individuals should ensure their devices have reliable antivirus software installed and validate the legitimacy of the websites they are downloading from. In conclusion, the ability to download Atlas Copco Compressor Manual has transformed the way we access information. With the convenience, cost-effectiveness, and

accessibility it offers, free PDF downloads have become a popular choice for students, researchers, and book lovers worldwide. However, it is crucial to engage in ethical downloading practices and prioritize personal security when utilizing online platforms. By doing so, individuals can make the most of the vast array of free PDF resources available and embark on a journey of continuous learning and intellectual growth.

FAQs About Atlas Copco Compressor Manual Books

How do I know which eBook platform is the best for me? Finding the best eBook platform depends on your reading preferences and device compatibility. Research different platforms, read user reviews, and explore their features before making a choice. Are free eBooks of good quality? Yes, many reputable platforms offer high-quality free eBooks, including classics and public domain works. However, make sure to verify the source to ensure the eBook credibility. Can I read eBooks without an eReader? Absolutely! Most eBook platforms offer webbased readers or mobile apps that allow you to read eBooks on your computer, tablet, or smartphone. How do I avoid digital eye strain while reading eBooks? To prevent digital eye strain, take regular breaks, adjust the font size and background color, and ensure proper lighting while reading eBooks. What the advantage of interactive eBooks? Interactive eBooks incorporate multimedia elements, quizzes, and activities, enhancing the reader engagement and providing a more immersive learning experience. Atlas Copco Compressor Manual is one of the best book in our library for free trial. We provide copy of Atlas Copco Compressor Manual in digital format, so the resources that you find are reliable. There are also many Ebooks of related with Atlas Copco Compressor Manual. Where to download Atlas Copco Compressor Manual online for free? Are you looking for Atlas Copco Compressor Manual PDF? This is definitely going to save you time and cash in something you should think about. If you trying to find then search around for online. Without a doubt there are numerous these available and many of them have the freedom. However without doubt you receive whatever you purchase. An alternate way to get ideas is always to check another Atlas Copco Compressor Manual. This method for see exactly what may be included and adopt these ideas to your book. This site will almost certainly help you save time and effort, money and stress. If you are looking for free books then you really should consider finding to assist you try this. Several of Atlas Copco Compressor Manual are for sale to free while some are payable. If you arent sure if the books you would like to download works with for usage along with your computer, it is possible to download free trials. The free guides make it easy for someone to free access online library for download books to your device. You can get free download on free trial for lots of books categories. Our library is the biggest of these that have literally hundreds of thousands of different products categories represented. You will also see that there are specific sites catered to different product types or categories, brands or niches related with Atlas Copco Compressor Manual. So depending on what exactly you are searching,

you will be able to choose e books to suit your own need. Need to access completely for Campbell Biology Seventh Edition book? Access Ebook without any digging. And by having access to our ebook online or by storing it on your computer, you have convenient answers with Atlas Copco Compressor Manual To get started finding Atlas Copco Compressor Manual, you are right to find our website which has a comprehensive collection of books online. Our library is the biggest of these that have literally hundreds of thousands of different products represented. You will also see that there are specific sites catered to different categories or niches related with Atlas Copco Compressor Manual So depending on what exactly you are searching, you will be able to choose ebook to suit your own need. Thank you for reading Atlas Copco Compressor Manual. Maybe you have knowledge that, people have search numerous times for their favorite readings like this Atlas Copco Compressor Manual, but end up in harmful downloads. Rather than reading a good book with a cup of coffee in the afternoon, instead they juggled with some harmful bugs inside their laptop. Atlas Copco Compressor Manual is available in our book collection an online access to it is set as public so you can download it instantly. Our digital library spans in multiple locations, allowing you to get the most less latency time to download any of our books like this one. Merely said, Atlas Copco Compressor Manual is universally compatible with any devices to read.

Find Atlas Copco Compressor Manual :

grade12 september 2013 memo

[grade11 essay about outsourcing](#)

grd11 life orientation november 2013

[gradpoint answers biology](#)

graphs for median mode mean context problems

[grade9 ems final examination](#)

grd12 mathematics p1 june2015

greenville high school scope 2014 term4

[gymnastics rhyming poems](#)

[harcourt math practice workbook grade 6 answer key](#)

harcourt hsp science grade 6 tests

grade11 economics paper2 november2013

grade9 maths november question paper

harcourt social studies 4th grade georgia

[grand cherokee gearbox diagram](#)

Atlas Copco Compressor Manual :

chemistry the central science textbook solutions chegg com - Mar 09 2023

web 36 rows guided textbook solutions created by chegg experts learn from step by step solutions for over 34 000 isbn in math science engineering business and more

chemistry the central science solution manual chegg com - Jun 12 2023

web get instant access to our step by step chemistry the central science solutions manual our solution manuals are written by chegg experts so you can be assured of the

masteringchemistry for chemistry the central science 10th - Sep 22 2021

web home study science chemistry general chemistry general chemistry solutions manuals masteringchemistry for chemistry the central science 10th edition we

chemistry the central science 10th edition solution manual - Oct 24 2021

web chemistry the central science 10th edition solution manual by sony ajb 13 apr 4 249 views top portable media device types mp3 player manuals chemistry

[chemistry the central science 10th edition solution manual](#) - Apr 29 2022

web mar 28 2023 chemistry the central science 10th edition solutions manual pdf our collection article ebook chemistry the central science 10th

solutions to exercises for chemistry the central science 13th - Nov 05 2022

web vi 753 pages 28 cm this manual was written to enhance the end of chapter exercises by providing documented solutions the manual assists the instructor by saving time spent

solutions manual for chemistry the central science 13th edition by - May 31 2022

web may 30 2018 2 1 the atomic theory of matter 2 2 the discovery of atomic structure 2 3 the modern view of atomic structure 2 4 atomic weights 2 5 the periodic table 2 6

chemistry the central science activebook 10th edition - Jul 13 2023

web unlike static pdf chemistry the central science activebook 10th edition solution manuals or printed answer keys our experts show you how to solve each problem step

bookmark file chemistry the central science 10th - Nov 24 2021

web sep 8 2023 bookmark file chemistry the central science 10th edition lab manual pdf free download pdf heritage bafta org author eel pie publishing

chemistry the central science 10th edition umb edu - Jan 07 2023

web chemistry the central science 10th edition theodore l brown h eugene lemay jr and bruce e bursten chapter 1
introduction matter and measurement matter anything

solutions to red exercises chemistry the central science tenth - May 11 2023

web solutions to red exercises chemistry the central science tenth edition brown lemay bursten by wilson roxy publication
date 2006 topics chemistry problems

chemistry the central science ap edition 10th edition - Aug 22 2021

web find step by step solutions and answers to chemistry the central science ap edition 9780131937192 as well as thousands
of textbooks so you can move forward with

chemistry 10th edition student solutions manual by raymond - Jan 27 2022

web chemistry 10th edition student solutions manual ebook can be used to learn atom molecule ion chemical reaction gas
thermochemistry quantum theory chemical

solution manual for chemistry the central science 14th edition - Aug 02 2022

web may 30 2018 solution manual for chemistry the central science 14th edition brown lemay bursten murphy woodwa full
file at

solutions manual to exercises for chemistry the central science - Dec 06 2022

web solutions manual to exercises for chemistry the central science brown theodore e lemay h eugene bursten bruce e
murphy catherine woodward patrick stoltzfus

chemistry the central science 15th edition pearson - Feb 08 2023

web feb 28 2022 isbn 13 9780137542970 chemistry the central science published 2022 need help get in touch

chemistry the central science 10th edition solutions manual - Dec 26 2021

web apr 3 2011 chemistry the central science 10th edition solutions manual brenda s 09 aug user manuals jan 27 2014 01
14 2023 seat tarraco owner s manual

chemistry the central science 10th edition yumpu - Jul 01 2022

web jan 2 2022 quite a few e book writers promote only a certain amount of every single plr e book so as to not flood the
market together with the very same product or service and

chemistry the central science 10th ed with solutions - Apr 10 2023

web jan 1 2005 chemistry the central science 10th ed with solutions manual and media pak brown lemay bursten on amazon
com free shipping on qualifying offers

chemistry the central science 10th edition solutions and - Aug 14 2023

web find step by step solutions and answers to chemistry the central science 9780131096868 as well as thousands of

textbooks so you can move forward with

chemistry the central science 10th edition solution manual free - Feb 25 2022

web manuals library search is available after installation update your firefox search engine to yahoo optional try yahoo search with our addon by continuing you acknowledge

the central science brown et al chemistry libretxts - Oct 04 2022

web chemistry the central science by brown lemay bursten murphy and woodward this textmap is designed for the two semester general chemistry course and has been

solutions to exercises chemistry the central science - Sep 03 2022

web solutions to exercises chemistry the central science solutions manual only 11th edition paperback 3 7 3 7 out of 5 stars 4 ratings see all formats and editions

chemistry the central science 10th edition solutions manual - Mar 29 2022

web apr 17 2023 why is chegg study better than downloaded chemistry 10th edition pdf solution manuals it s easier to figure out tough problems faster using chegg study

heat transfer specific heat and calorimetry physics libretxts - Sep 20 2021

how to calculate the change in temperature sciencing - Dec 04 2022

web $q = m c \Delta t$ heat in thermodynamics what contains more heat a cup of coffee or a glass of iced tea in chemistry class that would be a trick question sorry in

how to calculate the amount of heat released sciencing - Feb 06 2023

web vocabulary and formulas for calculating heat required for phase change sensible heat sensible heat is heat that changes the temperature of a system latent heat latent

heat capacity video thermodynamics khan academy - May 29 2022

web an object s heat capacity symbol c is defined as the ratio of the amount of heat energy transferred to an object to the resulting increase in temperature of the object $c = q / \Delta t$

how to calculate change in heat energy from temperature change - Oct 02 2022

web calculating heat of reaction from heat of formation an application of hess s law allows us to use standard heats of formation to indirectly calculate the heat of reaction for any

5 7 quantifying heat transfers temperature changes - Sep 13 2023

convection also known as convective heat transfer is heat moved by the movement of gasses or liquids two types exist i e forced and natural convection natural convection is when see more

13 2 specific heat physics libretexts - Apr 27 2022

web jun 5 2023 the three types of heat transfer are conduction convection and radiation conduction is the transfer of energy from one molecule to another by direct contact

11 2 heat specific heat and heat transfer openstax - Apr 08 2023

web calculate final temperature after heat transfer between two objects one of the major effects of heat transfer is temperature change heating increases the temperature while cooling

12 3 heat capacity enthalpy and calorimetry - Jul 11 2023

convection and thermal radiation will often happen at the same time and it can be troublesome to separate the two when doing the heat see more

calculating heat required for phase change study com - Mar 07 2023

web the specific heat is the amount of heat necessary to change the temperature of 1 00 kg of mass by 1 00 °c the specific heat c is a property of the substance its si unit is $\text{j kg}^{-1} \text{°C}^{-1}$

specific heat calculator - Jan 25 2022

web nov 8 2023 the godfather of climate science turns up the heat nov 8 2023 ibrahim rayintakath by david wallace wells opinion writer it is james hansen says worse

weight loss drug Wegovy can cut heart attack risk for some - Nov 22 2021

web aug 8 2022 calculating heat of reaction from heat of formation an application of Hess's law allows us to use standard heats of formation to indirectly calculate the heat of

7 3 heats of reactions and calorimetry chemistry libretexts - Feb 23 2022

web aug 17 2023 this specific heat calculator is a tool that determines the heat capacity of a heated or a cooled sample specific heat is the amount of thermal energy you need to

temperature change and heat capacity physics - Jan 05 2023

web feb 12 2020 tl dr too long didn't read to calculate the amount of heat released in a chemical reaction use the equation $q = mc \Delta t$ where q is the heat energy transferred

14 2 temperature change and heat capacity physics libretexts - Jun 10 2023

two surfaces with different temperatures placed opposite of each other will exchange heat to each other by thermal radiation the heat radiated from the hot surface will be higher see more

4 14 calculating heat of reaction from heat of formation - Sep 01 2022

web if it takes an amount q of heat to cause a temperature change Δt in a given mass of copper it will take 10 8 times that amount of heat to cause

1 5 heat transfer specific heat and calorimetry - Aug 12 2023

convection is not the only heat flow from a surface as thermal radiation will radiate energy as electromagnetic waves at the speed of light the percentage of the entire heat flow due to thermal radiation increases with see more

[heat and temperature article khan academy](#) - Nov 03 2022

web steps for calculating change in heat energy from temperature change step 1 identify the mass and the specific heat capacity of the substance step 2 identify the change in

heat capacity temperature change to heat calculator $q = c\Delta t$ - Jun 29 2022

web heat capacity is the amount of heat required to change the temperature of a given amount of matter by 1 c the heat capacity of 1 gram of a substance is called its specific heat

17 17 calculating heat of reaction from heat of formation - Oct 22 2021

web the specific heat is numerically equal to the amount of heat necessary to change the temperature of 1 00 kg of mass by 1 00 oc the si unit for specific heat is j kg

[calculating changes in temperature formula](#) - May 09 2023

web in order to quantify the heat transfer q that is associated with changing the temperature of a substance the mass m and specific heat c of that substance must be multiplied by

14 2 temperature change and heat capacity openstax - Jul 31 2022

web use this calculator to determine the heat transferred to or from a substance $q = c\Delta t$ in joules j kilojoules kj british thermal units btu iso calories cal or kilocalories kcal

[the engineering handbook heat transfer](#) - Oct 14 2023

conduction also known as thermal conduction is the transfer of internal energy within a material the energy is transferred by collision of molecules atoms and electrons inside the material the heat flow will occur in solid liquid and plasma phases and the energy will always flow from hot to cold joseph see more

[heat transfer calculator](#) - Mar 27 2022

web if the reaction releases heat $q_{rxn} < 0$ then heat is absorbed by the calorimeter $q_{calorimeter} > 0$ and its temperature increases conversely if the reaction absorbs heat

[opinion the godfather of climate science turns up the heat](#) - Dec 24 2021

web published nov 11 2023 updated nov 12 2023 12 20 a m et a pivotal new study suggests that the weight loss drug Wegovy cut the risk of heart attack stroke or death

britain s two world wars against germany myth memory and - Jun 12 2023

web oct 27 2014 britain s two world wars against germany myth memory and the distortions of hindsight cambridge

military histories paperback britain s role and

britain s two world wars against germany cambridge - Mar 09 2023

web we unlock the potential of millions of people worldwide our assessments publications and research spread knowledge spark enquiry and aid understanding around the world

britain s two world wars against germany myth memory and the - Jul 01 2022

web leading military historian brian bond here challenges the popular view of the first world war as catastrophic and futile in contrast to the second world war as a well conducted

britains two world wars against germany myth memory and - Aug 14 2023

web britain s role and performance in the two world wars continues to generate considerable debate but the wars are rarely considered together leading military historian brian bond

britain s two world wars against germany myth memory and - May 31 2022

web in britain s two world wars author brian bond attempts to impose some necessary perspective on our understanding of the british role in the two world wars of the 20th

britain s two world wars against germany myth memory and - Oct 04 2022

web britain s two world wars against germany myth memory and the distortions of hindsight britain s two world wars against germany myth memory and the

britain s two world wars against germany myth memory and - Aug 02 2022

web oct 23 2014 introduction 1 the creation of myths after 1945 2 british policy and strategy in the two world wars 3 british generalship in the two world wars 4 at the

cambridge britain s two world wars against germany myth - Feb 25 2022

web britain s two world wars against germany myth memory and the distortions of hindsight cambridge military histories hardcover ebook bond brian

britain s two world wars against germany myth memory and the - Jan 07 2023

web includes bibliographical references pages 179 183 and index the creation of myths after 1945 british policy and strategy british generalship in the two world wars at the

britain s two world wars against germany myth memory and the - Mar 29 2022

web cambridge britain s two world wars against germany myth memory and the distortions of hindsight book paperback 23 october 2014 brian bond on

world war two and germany 1939 1945 aqa test questions - Nov 24 2021

web britain s two world wars against germany myth memory and the distortions of hindsight bond brian on amazon com au

free shipping on eligible orders

britain s two world wars against germany myth memory and - Oct 24 2021

britain s two world wars against germany myth memory and - May 11 2023

web buy britain s two world wars against germany myth memory and the distortions of hindsight cambridge military histories paperback by bond brian isbn

brian bond britain s two world wars against germany myth - Jul 13 2023

web jun 5 2015 in the decade after the defeat of nazi germany patriotic war films the revelation at nuremberg of nazi and collaborationist war crimes and a fuller

amazon com britain s two world wars against - Apr 29 2022

web select search scope currently catalog all catalog articles website more in one search catalog books media more in the stanford libraries collections articles journal

britain s two world wars against germany cambridge - Nov 05 2022

web author brian bond king s college london date published october 2014 availability available format hardback isbn 9781107004719

britain s two world wars against germany myth memory and - Jan 27 2022

web nov 8 2009 the battle of britain in world war ii was between britain s royal air force raf and the luftwaffe nazi germany s air force and was the first battle in history

britain s two world wars against germany myth memory and the - Apr 10 2023

web sep 15 2019 separated by only 21 years the world wars hold polarizing myths within popular memory british memory characterizes t britain s two world wars against

britain s two world wars against germany myth memory and the - Feb 08 2023

web britain s two world wars against germany myth memory and the distortions of hindsight 1 reviews author brian bond summary britain s role and performance in the

britain s two world wars against germany cambridge - Dec 06 2022

web myth memory and the distortions of hindsight search within full text get access cited by 3 brian bond king s college london publisher cambridge university press online

battle of britain world war ii movie date history - Dec 26 2021

web learn about and revise world war two and germany between 1939 and 1945 with this bbc bitesize history aqa study guide

the creation of myths after 1945 chapter 1 britain s two world - Sep 03 2022

web one of the contributors neatly summarised the contrasting myths of the two world wars the first world war was not really about anything or not about anything important the