

## 6.11 Fitting the percussion mechanism in hammer box

- Stand hammer box (Fig. 60/1) upright.
- Replace any defective damping elements (Fig. 60/2), guide plates (Fig. 60/3) (see Chapter 5).
- Fit plastic elements and fix in position using double-sided adhesive tape; if wear is detected, insert shims. (Service openings must remain accessible).
- Lift up MB 1700 percussion mechanism using a crane/hoist and lower into hammer box.
- For hydraulic hammer with DustProtector: snap the base of the stripper in the inner support groove of the lower wear bush.
- Lower the percussion mechanism into hammer box using a crane/hoist.



**DANGER!**

Never use your hands to locate or check the position of the plastic elements or the shims when fitting the MB 1700 percussion mechanism in the hammer box.

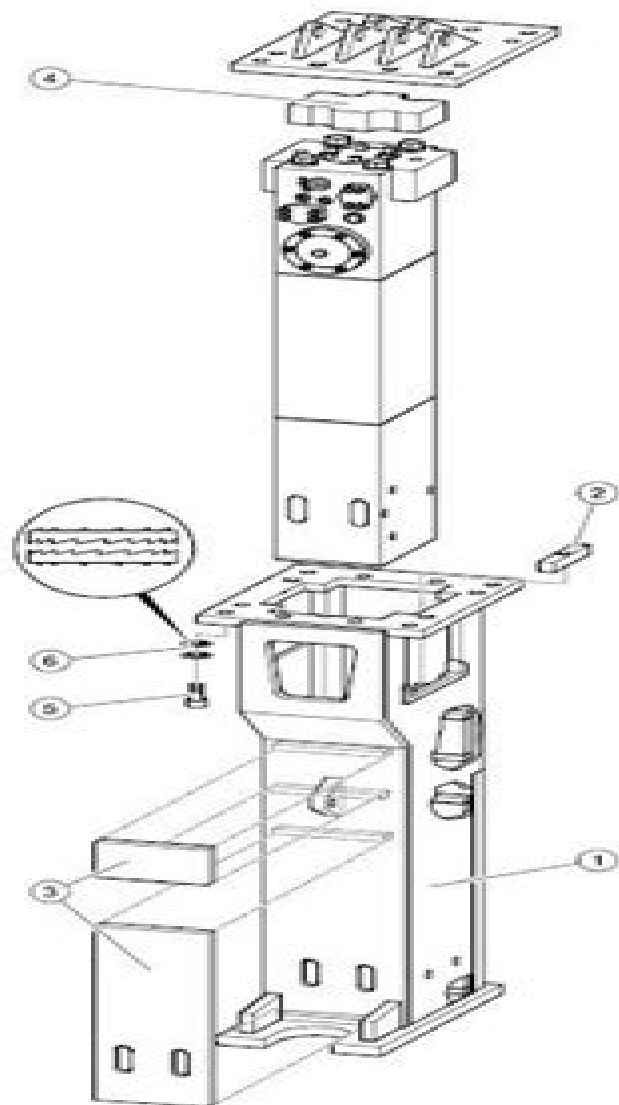
- Screw the two eye bolts (M 24) out of the cylinder cover.
- Fit elastic pad (Fig. 60/4).
- Using crane/hoist, place adapter on hammer box and fasten using the 12 available allen screws (Fig. 60/5) (part no. 121), and the locking washers (Fig. 60/6) (part no. 123) using size 22 allen key.



**DANGER!**

Only use the original allen screws to fasten the adapter.

- The allen screws must be tightened to the required torque. (Tightening torque, see Chapter 6.1).



**Fig. 60**  
Fitting the MB 1700 percussion mechanism in the hammer box.

# Atlas Copco Mb1700 Parts Manual

**Ensheng Dong**



**Atlas Copco Mb1700 Parts Manual:**

Eventually, you will completely discover a further experience and capability by spending more cash. still when? realize you consent that you require to get those every needs with having significantly cash? Why dont you attempt to get something basic in the beginning? Thats something that will guide you to understand even more approximately the globe, experience, some places, behind history, amusement, and a lot more?

It is your unquestionably own era to fake reviewing habit. in the course of guides you could enjoy now is **Atlas Copco Mb1700 Parts Manual** below.

<https://recruitmentslovakia.sk/public/book-search/default.aspx/1998%20Honda%20Fourtrax%20300%204x4%20Service%20Manual.pdf>

## **Table of Contents Atlas Copco Mb1700 Parts Manual**

1. Understanding the eBook Atlas Copco Mb1700 Parts Manual
  - The Rise of Digital Reading Atlas Copco Mb1700 Parts Manual
  - Advantages of eBooks Over Traditional Books
2. Identifying Atlas Copco Mb1700 Parts Manual
  - Exploring Different Genres
  - Considering Fiction vs. Non-Fiction
  - Determining Your Reading Goals
3. Choosing the Right eBook Platform
  - Popular eBook Platforms
  - Features to Look for in an Atlas Copco Mb1700 Parts Manual
  - User-Friendly Interface
4. Exploring eBook Recommendations from Atlas Copco Mb1700 Parts Manual
  - Personalized Recommendations
  - Atlas Copco Mb1700 Parts Manual User Reviews and Ratings
  - Atlas Copco Mb1700 Parts Manual and Bestseller Lists

5. Accessing Atlas Copco Mb1700 Parts Manual Free and Paid eBooks
  - Atlas Copco Mb1700 Parts Manual Public Domain eBooks
  - Atlas Copco Mb1700 Parts Manual eBook Subscription Services
  - Atlas Copco Mb1700 Parts Manual Budget-Friendly Options
6. Navigating Atlas Copco Mb1700 Parts Manual eBook Formats
  - ePub, PDF, MOBI, and More
  - Atlas Copco Mb1700 Parts Manual Compatibility with Devices
  - Atlas Copco Mb1700 Parts Manual Enhanced eBook Features
7. Enhancing Your Reading Experience
  - Adjustable Fonts and Text Sizes of Atlas Copco Mb1700 Parts Manual
  - Highlighting and Note-Taking Atlas Copco Mb1700 Parts Manual
  - Interactive Elements Atlas Copco Mb1700 Parts Manual
8. Staying Engaged with Atlas Copco Mb1700 Parts Manual
  - Joining Online Reading Communities
  - Participating in Virtual Book Clubs
  - Following Authors and Publishers Atlas Copco Mb1700 Parts Manual
9. Balancing eBooks and Physical Books Atlas Copco Mb1700 Parts Manual
  - Benefits of a Digital Library
  - Creating a Diverse Reading Collection Atlas Copco Mb1700 Parts Manual
10. Overcoming Reading Challenges
  - Dealing with Digital Eye Strain
  - Minimizing Distractions
  - Managing Screen Time
11. Cultivating a Reading Routine Atlas Copco Mb1700 Parts Manual
  - Setting Reading Goals Atlas Copco Mb1700 Parts Manual
  - Carving Out Dedicated Reading Time
12. Sourcing Reliable Information of Atlas Copco Mb1700 Parts Manual
  - Fact-Checking eBook Content of Atlas Copco Mb1700 Parts Manual
  - Distinguishing Credible Sources
13. Promoting Lifelong Learning

- Utilizing eBooks for Skill Development
  - Exploring Educational eBooks
14. Embracing eBook Trends
- Integration of Multimedia Elements
  - Interactive and Gamified eBooks

### **Atlas Copco Mb1700 Parts Manual Introduction**

In the digital age, access to information has become easier than ever before. The ability to download Atlas Copco Mb1700 Parts Manual has revolutionized the way we consume written content. Whether you are a student looking for course material, an avid reader searching for your next favorite book, or a professional seeking research papers, the option to download Atlas Copco Mb1700 Parts Manual has opened up a world of possibilities. Downloading Atlas Copco Mb1700 Parts Manual provides numerous advantages over physical copies of books and documents. Firstly, it is incredibly convenient. Gone are the days of carrying around heavy textbooks or bulky folders filled with papers. With the click of a button, you can gain immediate access to valuable resources on any device. This convenience allows for efficient studying, researching, and reading on the go. Moreover, the cost-effective nature of downloading Atlas Copco Mb1700 Parts Manual has democratized knowledge. Traditional books and academic journals can be expensive, making it difficult for individuals with limited financial resources to access information. By offering free PDF downloads, publishers and authors are enabling a wider audience to benefit from their work. This inclusivity promotes equal opportunities for learning and personal growth. There are numerous websites and platforms where individuals can download Atlas Copco Mb1700 Parts Manual. These websites range from academic databases offering research papers and journals to online libraries with an expansive collection of books from various genres. Many authors and publishers also upload their work to specific websites, granting readers access to their content without any charge. These platforms not only provide access to existing literature but also serve as an excellent platform for undiscovered authors to share their work with the world. However, it is essential to be cautious while downloading Atlas Copco Mb1700 Parts Manual. Some websites may offer pirated or illegally obtained copies of copyrighted material. Engaging in such activities not only violates copyright laws but also undermines the efforts of authors, publishers, and researchers. To ensure ethical downloading, it is advisable to utilize reputable websites that prioritize the legal distribution of content. When downloading Atlas Copco Mb1700 Parts Manual, users should also consider the potential security risks associated with online platforms. Malicious actors may exploit vulnerabilities in unprotected websites to distribute malware or steal personal information. To protect themselves, individuals should ensure their devices have reliable antivirus software installed and validate the legitimacy of the websites they are downloading from. In conclusion, the ability

to download Atlas Copco Mb1700 Parts Manual has transformed the way we access information. With the convenience, cost-effectiveness, and accessibility it offers, free PDF downloads have become a popular choice for students, researchers, and book lovers worldwide. However, it is crucial to engage in ethical downloading practices and prioritize personal security when utilizing online platforms. By doing so, individuals can make the most of the vast array of free PDF resources available and embark on a journey of continuous learning and intellectual growth.

### **FAQs About Atlas Copco Mb1700 Parts Manual Books**

How do I know which eBook platform is the best for me? Finding the best eBook platform depends on your reading preferences and device compatibility. Research different platforms, read user reviews, and explore their features before making a choice. Are free eBooks of good quality? Yes, many reputable platforms offer high-quality free eBooks, including classics and public domain works. However, make sure to verify the source to ensure the eBook credibility. Can I read eBooks without an eReader? Absolutely! Most eBook platforms offer webbased readers or mobile apps that allow you to read eBooks on your computer, tablet, or smartphone. How do I avoid digital eye strain while reading eBooks? To prevent digital eye strain, take regular breaks, adjust the font size and background color, and ensure proper lighting while reading eBooks. What the advantage of interactive eBooks? Interactive eBooks incorporate multimedia elements, quizzes, and activities, enhancing the reader engagement and providing a more immersive learning experience. Atlas Copco Mb1700 Parts Manual is one of the best book in our library for free trial. We provide copy of Atlas Copco Mb1700 Parts Manual in digital format, so the resources that you find are reliable. There are also many Ebooks of related with Atlas Copco Mb1700 Parts Manual. Where to download Atlas Copco Mb1700 Parts Manual online for free? Are you looking for Atlas Copco Mb1700 Parts Manual PDF? This is definitely going to save you time and cash in something you should think about. If you trying to find then search around for online. Without a doubt there are numerous these available and many of them have the freedom. However without doubt you receive whatever you purchase. An alternate way to get ideas is always to check another Atlas Copco Mb1700 Parts Manual. This method for see exactly what may be included and adopt these ideas to your book. This site will almost certainly help you save time and effort, money and stress. If you are looking for free books then you really should consider finding to assist you try this. Several of Atlas Copco Mb1700 Parts Manual are for sale to free while some are payable. If you arent sure if the books you would like to download works with for usage along with your computer, it is possible to download free trials. The free guides make it easy for someone to free access online library for download books to your device. You can get free download on free trial for lots of books categories. Our library is the biggest of these that have literally hundreds of thousands of different products categories represented. You will also see that there are specific sites catered to different

product types or categories, brands or niches related with Atlas Copco Mb1700 Parts Manual. So depending on what exactly you are searching, you will be able to choose e books to suit your own need. Need to access completely for Campbell Biology Seventh Edition book? Access Ebook without any digging. And by having access to our ebook online or by storing it on your computer, you have convenient answers with Atlas Copco Mb1700 Parts Manual To get started finding Atlas Copco Mb1700 Parts Manual, you are right to find our website which has a comprehensive collection of books online. Our library is the biggest of these that have literally hundreds of thousands of different products represented. You will also see that there are specific sites catered to different categories or niches related with Atlas Copco Mb1700 Parts Manual So depending on what exactly you are searching, you will be able to choose ebook to suit your own need. Thank you for reading Atlas Copco Mb1700 Parts Manual. Maybe you have knowledge that, people have search numerous times for their favorite readings like this Atlas Copco Mb1700 Parts Manual, but end up in harmful downloads. Rather than reading a good book with a cup of coffee in the afternoon, instead they juggled with some harmful bugs inside their laptop. Atlas Copco Mb1700 Parts Manual is available in our book collection an online access to it is set as public so you can download it instantly. Our digital library spans in multiple locations, allowing you to get the most less latency time to download any of our books like this one. Merely said, Atlas Copco Mb1700 Parts Manual is universally compatible with any devices to read.

### **Find Atlas Copco Mb1700 Parts Manual :**

**1998 honda fourtrax 300 4x4 service manual**

**1999 audi a4 concert radio code**

**1980 gs850 l**

**1989 toyota hilux 4x4**

*1999 kawasaki kx250*

*1994 polaris indy 650*

*1989 ford econoline e 350*

*1994 toyota land cruiser fuel pump wiring*

1980s isuzu c240 diesel engine sketch

**1960 ski doo for sale**

1994 40 hp evinrude service manual

1rz e engine manual

**1981 xr200 parts**

**1998 hyundai sonata 2l fuel pump relay**



**1968 honda cb450 k1**

**Atlas Copco Mb1700 Parts Manual :**

[department of computer science and applications pmist](#) - Feb 09 2023

web itu department of computer engineering computer engineering education in istanbul technical university started in 1980 as a program under the department of control and

**department of computer science department of** - Mar 10 2023

web click here for itu computer engineering department s website click here for itu artificial intelligence and data engineering department s website faculty of computer and

**department of computer applications srmist** - May 12 2023

web programme overview bachelor in computer application bca is an undergraduate degree course in computer applications the duration of the course is 3 years with 6

[department of computer application pes university](#) - Dec 07 2022

web istanbul technical university department of computer engineering seeks qualified candidates for assistant professor position candidates must have or be close to take a

[cochin university of science and technology](#) - Mar 30 2022

web bilgisayar programcılığı mezunu olarak adayların dgs ile geçiş yapabileceği bilgisayar programcılığı dgs bölümleri şunlardır bilgisayar mühendisliği bilgisayar bilimleri

[bilgisayar programcılığı mezunları dgs ile hangi bölümlere](#) - Nov 25 2021

web rectorship departments ataturk s principles and history of turkish revolution computer applications school of language turkish language erasmus office scientific research

[academic job applications bilgisayar mühendisliği](#) - Aug 03 2022

web department of computer applications build globally competent and socially committed professionals and to mould ethical software professionals with intensive knowledge in

**bilgisayar programcılığı dogus** - Jan 28 2022

web sep 6 2023 software developers create the computer applications that allow users to do specific tasks and the underlying systems that run the devices or control networks for

[bilgisayar programcılığı bölümü Ön lisans türkçe doğu](#) - Apr 30 2022

web sep 20 2020 matematik bilgisayar meteoroloji mühendisliği uzay mühendisliği yazılım mühendisliği ek olarak bilgisayar programcılığı bölümü mezunları dgs ile açık öğretim

*itu faculty of computer and informatics engineering departments - Sep 04 2022*

web bilgisayar programcılığı Önlisans programı türkçe a c p 2 yıl bilgisayar programcılığı programının amacı öğrencileri bilgisayar uygulamaları programlamak için gerekli olan

**annexure i cochin university of science technology mca - Feb 26 2022**

web bilgisayar operatörlüğü mezunu olarak girilebilecek bölümlerin dgs ile tercih edilebildiği puan türleri aşağıdadır bilgisayar teknolojisi ve bilişim sistemleri sayısal yani say

**itu artificial intelligence and data engineering - Jul 14 2023**

web the department of computer applications is a pioneer department of cochin university of science and technology established in the year 1994 currently the department

fine tuning large language models with less labeling cost - Aug 23 2021

department of computer applications 3 years - Jul 02 2022

web department of computer applications vision to impart innovation oriented education to build globally competent and socially committed professionals mission m1 to impart the

**nit trichy computer applications national institute of - Jan 08 2023**

web computer engineering graduate programs game and interaction technologies master program information technologies non thesis master program academic calendar

software developers quality assurance analysts and testers - Sep 23 2021

*İtÜ faculty of computer and informatics engineering - Oct 05 2022*

web the department offers master of computer applications mca since 1994 m phil computer science since 2009 ph d computer science since 2009 mca lateral

**t c İstanbul yeni yüzyıl Üniversitesi yeni yüzyıl university - Aug 15 2023**

web rectorship departments ataturk s principles and history of turkish revolution computer applications school of language turkish language iyyu turkish teaching practise and

overview crescent education - Jun 01 2022

web bilgisayar programcılığı donanımsal ve yazılımsal alanlarda bilgi ve deneyimi üst seviyede olan teorik bilgi ve uygulama deneyimine ulaşmış vizyonu olan modern teknikerler

department of computer applications cusat - Jun 13 2023

web applications for admission in october 2024 open in early september 2023 and closes for all applications on 25 february

2024 applicants should refer to the postgraduate

**İTÜ faculty of computer and informatics engineering** - Nov 06 2022

web the department of computer applications aims to transform graduates into software experts with high degree of technical skill and to encourage students towards research

t c İstanbul yeni yüzyıl Üniversitesi - Jul 22 2021

**bilgisayar programcılığı dgs geçiş bölümleri** - Dec 27 2021

web sep 15 2023 labeled data is critical to the success of deep learning across various applications including natural language processing computer vision and

**bilgisayar operatörlüğü mezunları dgs ile hangi bölümlere** - Oct 25 2021

*applications department of computer science and* - Apr 11 2023

web the department of computer applications is one of the pioneering departments of the institution that offers information technology courses such as mca and one among the

**the big five for life was wirklich zählt im leben youtube** - Feb 27 2022

web nov 18 2016 heute zeige ich dir meine top 3 ideen aus dem buch the big five for life was wirklich zählt im leben von john strelecky

**big five was wirklich zählt im leben zeit zu leben** - Aug 04 2022

web jul 26 2019 das ist vereinfacht ausgedrückt das konzept der big five for life das der autor und coach john strelecky entwickelt hat die big five das sind die 5 wichtigsten dinge die ein mensch im laufe seines lebens getan oder erlebt haben möchte

**the big five for life was im leben wirklich zählt youtube** - Mar 31 2022

web mit the big five for life gelingt dem autor john strelecky ein weiterer großer wurf in einem völlig neuen setting erzählt er eine weitere geschichte voller

the big five for life was wirklich zählt im leben 34528 - May 13 2023

web the big five for life was wirklich zählt im leben 34528 strelecky john amazon com tr kitap

*the big five for life was wirklich zählt im leben höredition* - Jan 09 2023

web seine unter nehmen führt thomas anhand zweier leitlinien jeder mitarbeiter muss seine bestimmung sowie seine big five for life kennen also wissen welche fünf ziele er im leben erreichen will

*the big five for life was wirklich zählt im leben goodreads* - Apr 12 2023

web read 323 reviews from the world s largest community for readers durch zufall lernt joe ein unzufriedener angestellter den charismatischen geschäftsmann

*the big five for life was wirklich zählt im leben amazon com* - Sep 05 2022

web aug 1 2016 the big five for life was wirklich zählt im leben mp3 cd mp3 audio august 1 2016 the big five for life was wirklich zählt im leben mp3 cd mp3 audio august 1 2016 german edition by john p strelecky author 25 ratings see all formats and editions

**the big five for life orell füssli** - Dec 28 2021

web was im leben wirklich zählt ist spannend und informativ hamburger morgenpost besonders interessant an john streleckys buch finde ich dass der hauptcharakter ein erfolgreicher geschäftsmann nur mitarbeiter einstellt der big five zu den unternehmenszielen passen

**the big five for life was wirklich zählt im leben booklooker** - Jul 03 2022

web the big five for life was wirklich zählt im leben wir verwenden nur laut verpackungsgesetz zertifizierte einweg verpackungen john strelecky dtv verlagsgesellschaft 2021 isbn 9783423345286 zustand deutliche gebrauchsspuren

*the big five for life was wirklich zählt im leben youtube* - Jun 02 2022

web mar 14 2021 the big five for life ein titel den die meisten wahrscheinlich schonmal in ihrem leben gehört haben ich durfte mit dem sprecher der deutschen version des

[the big five for life was wirklich zählt im leben amazon de](#) - Jun 14 2023

web seine unternehmen führt thomas anhand zweier leitlinien jeder mitarbeiter muss seine bestimmung sowie seine big five for life kennen also wissen welche fünf ziele er im leben erreichen will diese ideen helfen joe seine wünsche zu verwirklichen

*the big five for life was wirklich zählt im leben google books* - May 01 2022

web reviews aren t verified but google checks for and removes fake content when it s identified verl beschr durch zufall lernt joe ein unzufriedener angestellter den charismatischen geschäftsmann

*the big five for life was wirklich zählt im leben amazon co uk* - Nov 07 2022

web buy the big five for life was wirklich zählt im leben 1 by strelecky john isbn 9783423345286 from amazon s book store everyday low prices and free delivery on eligible orders the big five for life was wirklich zählt im leben amazon co uk strelecky john 9783423345286 books

**amazon de kundenrezensionen the big five for life was wirklich** - Feb 10 2023

web ich habe das buch the big five for life was wirklich zählt im leben von john strelecky gelesen und bin absolut begeistert dieses buch hat mich von anfang bis ende fasziniert und inspiriert die geschichte handelt von einem mann namens thomas der auf der suche nach dem sinn seines lebens ist

[the big five for life was wirklich zählt im leben amazon de](#) - Aug 16 2023

web arbeiten um geld zu verdienen war gestern durch zufall lernt joe ein mit seinem job unzufriedener angestellter den charismatischen geschäftsmann thomas kennen rasch entwickelt sich eine tiefe freundschaft zwischen den beiden männern thomas wird zu joes mentor und offenbart ihm die geheimnisse seines erfolgs

**the big five for life thalia** - Mar 11 2023

web the big five for live was im leben wirklich zählt ist spannend und informativ hamburger morgenpost besonders interessant an john streleckys buch finde ich dass der hauptcharakter ein erfolgreicher geschäftsmann nur mitarbeiter einstellt der big five zu den unternehmenszielen passen

[rezension the big five for life john strelecky game of books](#) - Oct 06 2022

web feb 10 2019 so wurde ich auf die bücher von john strelecky aufmerksam das café am rande der welt eine erzählung über den sinn des lebens und the big five for life was wirklich zählt im leben waren ewig in den bestsellerlisten und ich hatte sie wer weiß wie oft im meinen händen

**the big five for life was wirklich zählt im leben youtube** - Jan 29 2022

web the big five for life was wirklich zählt im leben john strelecky kaufen amzn to 1tepgrd

**the big five for life was wirklich zählt im leben amazon de** - Jul 15 2023

web arbeiten um geld zu verdienen war gestern durch zufall lernt joe ein mit seinem job unzufriedener angestellter den charismatischen geschäftsmann thomas kennen rasch entwickelt sich eine tiefe freundschaft zwischen den beiden männern thomas wird zu joes mentor und offenbart ihm die geheimnisse seines erfolgs

**the big five for life german edition was wirklich zählt im leben** - Dec 08 2022

web seine unternehmen führt thomas anhand zweier leitlinien jeder mitarbeiter muss seine bestimmung sowie seine big five for life kennen also wissen welche fünf ziele er im leben erreichen will diese ideen helfen joe seine wünsche zu verwirklichen

[15 stories of milf sex older woman younger man erotica](#) - Oct 12 2021

web in this 15 story collection horny older women experience rough bondage threesomes sex with strangers sex with the pool guy sex with the office it guy anal sex and more

[i finally came out as gay at 55 years old insider](#) - Jul 09 2021

web home health lgbtq i finally came out as gay at 55 years old after 2 marriages with women telling my children was surprisingly easy essay by charles anthony silvestri

[love knows no age short film older woman younger boy](#) - Aug 22 2022

web love short film love knows no age an older woman falls in love with a younger boy does love understands age does age matters in love hindi short movies

[scary old sex stories of love from the aged npr](#) - Feb 13 2022

web a 68 year old woman watches her 99 year old mother lose her faculties one of the stories is dedicated to the late writer bernard malamud and draws on the affair heyman had with

**10 younger man older woman romance reads that ll melt your** - Jul 01 2023

web caroline wilson is trapped in a cold and loveless marriage with an older man when her husband finally wins a long sought after promotion caroline feels she has little choice

[35 chilling stories of women who dated older men as teens](#) - Dec 14 2021

web i spent ages 12 15 having cyber sex with older men on aol i was a good writer and this way of exploring sexuality really appealed to me i always lied about my age and the

bbcbbc - Mar 05 2021

web bbc 30

[landlady stories wattpad](#) - Jul 21 2022

web 541 3 3 when a college student moved into his new apartment and met his landlady she wasn t just an old landlady she was a lot younger and a lot more beautiful and cute

*10 best age gap older woman younger man romance books* - Feb 25 2023

web a certain smile is a classic french romance set in the aesthetic labyrinth of paris it tells the story of dominique a young woman involved in a forbidden affair with an older married

*missing woman s body found at boston airport garage after* - Aug 29 2020

web the mutilated body of a missing woman was found in a car parked at a boston airport garage wednesday after her boyfriend allegedly killed her and hopped on a plane to

**older women younger man contemporary romance goodreads** - Mar 29 2023

web older women younger man contemporary romance experienced intelligent witty older heroine characters need only apply to this list flag all votes add books to this list 1

**older woman younger man 160 books goodreads** - Apr 29 2023

web 160 books 140 voters list created january 29th 2012 by kelli robinson votes tags age difference fiction love men older woman older women romance women

**looking for nomance study finds teens want less sex in their** - May 07 2021

web a new study about young americans entertainment consumption habits suggests that gen z is far more interested in seeing screen stories of platonic relationships than those

**me my aunt doris litro magazine** - Sep 22 2022

web aunt doris showed me a new view of the world possible solutions to the mystery of man meets woman bronwyn made me put on a rubber before i even kissed her practically

**any older woman younger man stories r agegap reddit** - Aug 02 2023

web 17 comments add a comment shesto66 4 yr ago i m 53f and my boyfriend is 29m we have been together about one year we have had some ups and downs it took us

older man younger woman stories quotev - May 19 2022

web 26 pages july 30 2021 willow the witch fanfiction romance love older man and younger woman drinking depression mention of past abuse a young girl stumbles upon an

*older woman younger man relationships webmd* - Dec 26 2022

web braving robbing the cradle jokes almost one third of women between ages 40 and 69 are dating younger men defined as 10 or more years younger according to a recent aarp

*mum was sick she will come home soon heartbreaking words* - Nov 12 2021

web as a result the boy lived with gu and his older half sister the product of a previous marriage the abuse by gu began in february 2022 but remained hidden until three

**best older woman younger man romance 438 books goodreads** - Sep 03 2023

web 1 of 5 stars 2 of 5 stars 3 of 5 stars 4 of 5 stars 5 of 5 stars previous 1 2 3 4 5 next 438 books 1 114 voters list created november 7th 2011 by michele la smoocherina

how to manage an older woman younger man relationship - Jan 27 2023

web quality time together research shows the committing time to one another in a healthy relationship can boost well being open and honest communication maintaining

*as china gets older innovative elder care scheme forms twilight* - Feb 01 2021

web among xinsi s 3 500 residents 1 400 are older than 60 village party secretary ye feiyu told the post throughout china the ageing trend is intensifying at a faster rate than most

**older woman younger man archive of our own** - Oct 04 2023

web implied older woman younger man mujer mayor hombre menor older f younger m older female younger male older female younger male freeform older woman

**shani louk 23 year old kidnapped from music festival found** - Oct 31 2020

web cnn a 23 year old german israeli woman who was kidnapped from the nova music festival by hamas militants on october 7 has been declared dead the israeli ministry of

**photos capture the moment 2 older israeli women were** - Jun 27 2020

web an envelope it indicates the ability to send an email an curved arrow pointing right hamas released two hostages on monday october 23 yocheved lifshitz 85 and nurit cooper

*two seriously hurt in suspected american bully xl attack bbc* - Dec 02 2020

web a 38 year old man and 24 year old woman have been arrested officers added the pair have been held on suspicion of allowing a dog to be dangerously out of control the dog

shani louk believed kidnapped by hamas was likely dead - Jul 29 2020

web shortly after the oct 7 attacks hamas released a video showing a woman lying face down and mostly naked in the back of a pickup truck ms louk s mother said the woman was

texas woman who left for india after the search for her son 6 - Sep 30 2020

web everman texas a texas woman who told various stories to explain her 6 year old son s absence before leaving the country has been charged with killing the child who

sex explicit erotic stories for adults taboo erotica apple - Aug 10 2021

web sex explicit erotic stories for adults taboo erotica collection bdsm gangbangs rough anal femdom sex games toys first time lesbian orgasmic oral 69

life after death young woman in china stages own funeral to - Jun 07 2021

web a young woman in china has left many people on mainland social media bemused after she staged her own funeral in a bizarre attempt to heal the pain of breaking up with her

*fake nudes of real students cause an uproar at a new jersey* - Sep 10 2021

web by julie jargon nov 2 2023 7 00 am et listen 2 min when girls at westfield high school in new jersey found out boys were sharing nude photos of them in group chats

**15 stories of milf sex older woman younger man erotica** - Apr 17 2022

web 15 stories of milf sex older woman younger man erotica as it s meant to be heard narrated by rebecca wolfe kitty velour layla dawn vivian lee fox katt k Campbell

**older girl and younger boy stories quotev** - Mar 17 2022

web abigail minerva swan noun courageous mischievous empathetic older sister broken a girl who is fine but just a mess a year has passed since fighting alongside her friends

milf seduction 10 older woman younger man erotica stories - Jan 15 2022

web in this collection sexy women with a hint of maturity enjoy sexual situations that are overwhelming sweet sexy and just plain hot with first anal sex double penetration

the story of an older woman younger man medium - Nov 24 2022



web the story of an older woman younger man conni walkup hull follow published in bouncin and behavin blogs 5 min read  
aug 22 2022 8 i said i would never but i did

oldlady stories wattpad - May 31 2023

web 191 stories sort by hot 1 dove the kings mc 2 on hold by jesse gainley 155k 3 7k 20 my name is luna wallis i thought i  
had the best parents in the world that was

**video cnn producer living in gaza with family documents how** - Jan 03 2021

web 6 year old boy was holding his mom s hand to go make a sandwich then the airstrikes hit

*where are all the older black women in these fashion* - Apr 05 2021

web balenciaga meanwhile has 70 year old isabelle hupert as ambassador and 67 year old fashion critic cathy horyn star in  
the most recent show they all follow the lead of a

*50 must read novels about older women book riot* - Jun 19 2022

web lillian boxfish takes a walk by kathleen rooney it s the last day of 1984 and 85 year old lillian boxfish is about to take a  
walk she encounters bartenders bodega clerks

three generations of women under one roof raised an outgoing - May 26 2020

web bryson is among at least 1 400 children and teens killed by a gun so far in 2023 according to the gun violence archive  
firearms became the no 1 killer of children and teens in

*what it s like to be the older woman elle australia* - Oct 24 2022

web when you re a woman dating a younger man you become obsessed with the stories of other women doing the same thing  
tilda swinton is 18 years older than sandro kopp