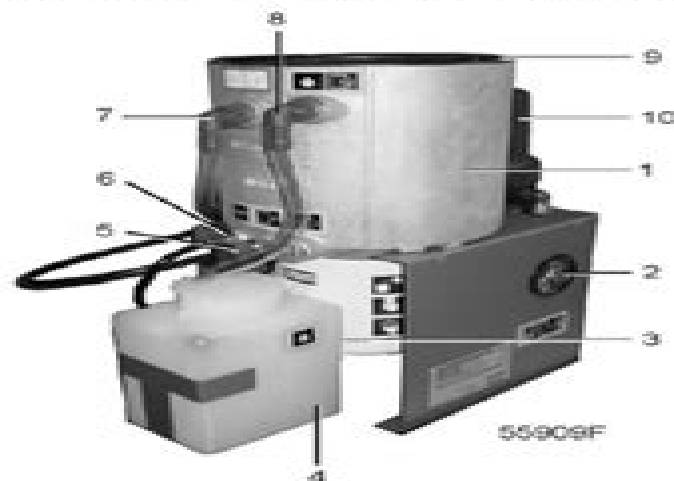


## 4 OSD oil/condensate separator (optional)

### 4.1 OSD unit

#### Oil-condensate separators

Compressed air leaving oil-injected compressors contains oil. During cooling of this air, oil-containing condensate is formed. OSD are designed to separate the major part of this oil from the condensate and to catch the oil in a collector. The condensate meets the requirements of the environmental codes.



General view of OSD 90, typical example

| Reference | Designation             |
|-----------|-------------------------|
| 1         | Vessel                  |
| 2         | Pressure gauge, filter  |
| 3         | Oil filter              |
| 4         | Oil collector           |
| 5         | Condensate inlet        |
| 6         | Dip of filter           |
| 7         | Clean condensate outlet |
| 8         | Oil outlet              |
| 9         | Cover                   |
| 10        | Pre-filter              |

# Atlas Copco Alarm Manual

**SA Adler**



## **Atlas Copco Alarm Manual:**

*User's Manual for the Microfiche D/international ... Document Collection* ,1989      *User's Manual to the International Annual Reports Collection* ,1988      **Operator, Organizational, Direct and General Support, and Depot Maintenance Manual** ,1973      *Making Quality Cosmetics* Alastair J Gilchrist,2022-09-05 Cosmetics manufacture is a dynamic and vibrant industry with companies varying from the very small scale working in their own home to much larger enterprises With such variable companies there is the risk of equally variable quality in manufacturing The International Organization for Standards ISO provides guidelines on good manufacturing processes for the cosmetics industry However not everyone working in cosmetics has a scientific or engineering backgrounds and understanding and meeting the ISO requirements can be daunting Whether you are a small business just starting out or an established company looking to expand Making Quality Cosmetics will guide you through the requirements of the ISO standard Calling on more than 35 years of experience in the cosmetics sector the author covers every aspect of the manufacturing set up and process as well as discussing other regulations that may need to be considered especially in larger facilities With technical advice ranging from choosing equipment and raw materials to assessing and auditing contractors this book will help you make sure your products are of the highest quality      **14th International Conference on Hand-Arm Vibration** Deutsche Gesetzliche Unfallversicherung (DGUV),2019-05-30 In May 2019 the Institut f r Arbeitsschutz der Deutschen Gesetzlichen Unfallversicherung IFA was hosting the 14th International Conference on Hand Arm Vibration The event is organised every four years under the auspices of international expert bodies at changing places It is aimed at all stakeholders in the subject whether experts from the occupational safety and health and research communities or management personnel in the areas of manufacture and design Mechanized manual work is often associated with exposure to vibration that may impact adversely upon the health and well being of the affected individuals Besides impairments to comfort and performance harm to the hand arm system possibly permanent must be prevented as a matter of priority In a world of work that is becoming more and more complex combined exposures are also becoming increasingly relevant What influence does hand arm vibration have in conjunction with noise or whole body vibration What contribution can be made by medicine diagnostics epidemiology measurement technology and prevention to the identification and containment of risks and better still to their elimination What is the role of international regulatory activity in this context The 14th International Conference on Hand Arm Vibration aimed to address these and many other questions concerning hand arm vibration and to find answers relevant to the field      **Moody's Industrial Manual** ,1997 Covering New York American regional stock exchanges international companies      **Proceedings of the XV International Scientific Conference on Industrial Systems (IS'11)** ,      *Public Works Manual* ,1985      *Software Architectures for Humanoid Robotics* Lorenzo Natale,Tamim Asfour,Fumio Kanehiro,Nikolaus Vahrenkamp,2018-10-11      **Monthly Catalogue, United States Public Documents** ,1990-05      **Monthly Catalog of United States**

**Government Publications** ,1990      **Public Works Manual and Catalog File** ,1977      Canadian Mining Manual ,1971

**WHO Technical specifications for health facility based medical oxygen systems** World Health

Organization,2025-01-10 The Clinical Management and Operations Unit Country Readiness Strengthening Department in collaboration with the Medical Devices and Diagnostics Unit Health Products Policy and Standards Department have developed the Technical specifications for health facility based medical oxygen systems This publication outlines minimum quality and safety standards and features of medical oxygen sources storage and distribution products that are implemented inside health facilities      **Comparative Reservoir Limnology and Water Quality Management** M. Straskraba,J.G.

Tundisi,A. Duncan,2013-03-09 The volume starts with comparative reservoir limnology and deals with problems relating to tropical semi arid and temperate reservoirs The second part concerns mathematical models of reservoirs including new techniques for investigating their limnology These cover physical chemical and biological phenomena remote sensing and the use of modelling to establish the most efficient strategy for water quality sampling In the third on reservoir water quality management the potential available in fish population management for biomanipulation of reservoir water quality is introduced Also included is a valuable section on a wide range of water quality measures coming from the well known Czech Hydrobiological Laboratory Finally the editors summarise the present state of reservoir limnology This book will be of interest to hydrobiologists and aquatic ecologists reservoir and sanitary engineers fisheries officers postgraduate teaching and the water industry dealing with drinking water supply and will provide insight into regulated rivers It draws information from all over the world and is relevant to the whole world      Pulp & Paper Canada Reference Manual & Buyers' Guide ,1976

Canadian Mining Journal's Reference Manual & Buyer's Guide ,1972      **Pulp and Paper Manual of Canada** ,1957

Power Engineering ,1987      **Colliery Engineering** ,1956

Immerse yourself in heartwarming tales of love and emotion with Crafted by is touching creation, **Atlas Copco Alarm Manual** . This emotionally charged ebook, available for download in a PDF format ( \*), is a celebration of love in all its forms. Download now and let the warmth of these stories envelop your heart.

<https://recruitmentslovakia.sk/book/browse/fetch.php/John%20Vachons%20America%20Photographs%20And%20Letters%20From%20The%20Depression%20To%20World%20War%20Ii.pdf>

## **Table of Contents Atlas Copco Alarm Manual**

1. Understanding the eBook Atlas Copco Alarm Manual
  - The Rise of Digital Reading Atlas Copco Alarm Manual
  - Advantages of eBooks Over Traditional Books
2. Identifying Atlas Copco Alarm Manual
  - Exploring Different Genres
  - Considering Fiction vs. Non-Fiction
  - Determining Your Reading Goals
3. Choosing the Right eBook Platform
  - Popular eBook Platforms
  - Features to Look for in an Atlas Copco Alarm Manual
  - User-Friendly Interface
4. Exploring eBook Recommendations from Atlas Copco Alarm Manual
  - Personalized Recommendations
  - Atlas Copco Alarm Manual User Reviews and Ratings
  - Atlas Copco Alarm Manual and Bestseller Lists
5. Accessing Atlas Copco Alarm Manual Free and Paid eBooks
  - Atlas Copco Alarm Manual Public Domain eBooks
  - Atlas Copco Alarm Manual eBook Subscription Services
  - Atlas Copco Alarm Manual Budget-Friendly Options

6. Navigating Atlas Copco Alarm Manual eBook Formats
  - ePub, PDF, MOBI, and More
  - Atlas Copco Alarm Manual Compatibility with Devices
  - Atlas Copco Alarm Manual Enhanced eBook Features
7. Enhancing Your Reading Experience
  - Adjustable Fonts and Text Sizes of Atlas Copco Alarm Manual
  - Highlighting and Note-Taking Atlas Copco Alarm Manual
  - Interactive Elements Atlas Copco Alarm Manual
8. Staying Engaged with Atlas Copco Alarm Manual
  - Joining Online Reading Communities
  - Participating in Virtual Book Clubs
  - Following Authors and Publishers Atlas Copco Alarm Manual
9. Balancing eBooks and Physical Books Atlas Copco Alarm Manual
  - Benefits of a Digital Library
  - Creating a Diverse Reading Collection Atlas Copco Alarm Manual
10. Overcoming Reading Challenges
  - Dealing with Digital Eye Strain
  - Minimizing Distractions
  - Managing Screen Time
11. Cultivating a Reading Routine Atlas Copco Alarm Manual
  - Setting Reading Goals Atlas Copco Alarm Manual
  - Carving Out Dedicated Reading Time
12. Sourcing Reliable Information of Atlas Copco Alarm Manual
  - Fact-Checking eBook Content of Atlas Copco Alarm Manual
  - Distinguishing Credible Sources
13. Promoting Lifelong Learning
  - Utilizing eBooks for Skill Development
  - Exploring Educational eBooks
14. Embracing eBook Trends
  - Integration of Multimedia Elements

- Interactive and Gamified eBooks

## **Atlas Copco Alarm Manual Introduction**

Atlas Copco Alarm Manual Offers over 60,000 free eBooks, including many classics that are in the public domain. Open Library: Provides access to over 1 million free eBooks, including classic literature and contemporary works. Atlas Copco Alarm Manual Offers a vast collection of books, some of which are available for free as PDF downloads, particularly older books in the public domain. Atlas Copco Alarm Manual : This website hosts a vast collection of scientific articles, books, and textbooks. While it operates in a legal gray area due to copyright issues, its a popular resource for finding various publications. Internet Archive for Atlas Copco Alarm Manual : Has an extensive collection of digital content, including books, articles, videos, and more. It has a massive library of free downloadable books. Free-eBooks Atlas Copco Alarm Manual Offers a diverse range of free eBooks across various genres. Atlas Copco Alarm Manual Focuses mainly on educational books, textbooks, and business books. It offers free PDF downloads for educational purposes. Atlas Copco Alarm Manual Provides a large selection of free eBooks in different genres, which are available for download in various formats, including PDF. Finding specific Atlas Copco Alarm Manual, especially related to Atlas Copco Alarm Manual, might be challenging as theyre often artistic creations rather than practical blueprints. However, you can explore the following steps to search for or create your own Online Searches: Look for websites, forums, or blogs dedicated to Atlas Copco Alarm Manual, Sometimes enthusiasts share their designs or concepts in PDF format. Books and Magazines Some Atlas Copco Alarm Manual books or magazines might include. Look for these in online stores or libraries. Remember that while Atlas Copco Alarm Manual, sharing copyrighted material without permission is not legal. Always ensure youre either creating your own or obtaining them from legitimate sources that allow sharing and downloading. Library Check if your local library offers eBook lending services. Many libraries have digital catalogs where you can borrow Atlas Copco Alarm Manual eBooks for free, including popular titles. Online Retailers: Websites like Amazon, Google Books, or Apple Books often sell eBooks. Sometimes, authors or publishers offer promotions or free periods for certain books. Authors Website Occasionally, authors provide excerpts or short stories for free on their websites. While this might not be the Atlas Copco Alarm Manual full book , it can give you a taste of the authors writing style. Subscription Services Platforms like Kindle Unlimited or Scribd offer subscription-based access to a wide range of Atlas Copco Alarm Manual eBooks, including some popular titles.

## **FAQs About Atlas Copco Alarm Manual Books**

How do I know which eBook platform is the best for me? Finding the best eBook platform depends on your reading

preferences and device compatibility. Research different platforms, read user reviews, and explore their features before making a choice. Are free eBooks of good quality? Yes, many reputable platforms offer high-quality free eBooks, including classics and public domain works. However, make sure to verify the source to ensure the eBook credibility. Can I read eBooks without an eReader? Absolutely! Most eBook platforms offer webbased readers or mobile apps that allow you to read eBooks on your computer, tablet, or smartphone. How do I avoid digital eye strain while reading eBooks? To prevent digital eye strain, take regular breaks, adjust the font size and background color, and ensure proper lighting while reading eBooks. What the advantage of interactive eBooks? Interactive eBooks incorporate multimedia elements, quizzes, and activities, enhancing the reader engagement and providing a more immersive learning experience. Atlas Copco Alarm Manual is one of the best book in our library for free trial. We provide copy of Atlas Copco Alarm Manual in digital format, so the resources that you find are reliable. There are also many Ebooks of related with Atlas Copco Alarm Manual. Where to download Atlas Copco Alarm Manual online for free? Are you looking for Atlas Copco Alarm Manual PDF? This is definitely going to save you time and cash in something you should think about. If you trying to find then search around for online. Without a doubt there are numerous these available and many of them have the freedom. However without doubt you receive whatever you purchase. An alternate way to get ideas is always to check another Atlas Copco Alarm Manual. This method for see exactly what may be included and adopt these ideas to your book. This site will almost certainly help you save time and effort, money and stress. If you are looking for free books then you really should consider finding to assist you try this. Several of Atlas Copco Alarm Manual are for sale to free while some are payable. If you arent sure if the books you would like to download works with for usage along with your computer, it is possible to download free trials. The free guides make it easy for someone to free access online library for download books to your device. You can get free download on free trial for lots of books categories. Our library is the biggest of these that have literally hundreds of thousands of different products categories represented. You will also see that there are specific sites catered to different product types or categories, brands or niches related with Atlas Copco Alarm Manual. So depending on what exactly you are searching, you will be able to choose e books to suit your own need. Need to access completely for Campbell Biology Seventh Edition book? Access Ebook without any digging. And by having access to our ebook online or by storing it on your computer, you have convenient answers with Atlas Copco Alarm Manual To get started finding Atlas Copco Alarm Manual, you are right to find our website which has a comprehensive collection of books online. Our library is the biggest of these that have literally hundreds of thousands of different products represented. You will also see that there are specific sites catered to different categories or niches related with Atlas Copco Alarm Manual So depending on what exactly you are searching, you will be able to choose ebook to suit your own need. Thank you for reading Atlas Copco Alarm Manual. Maybe you have knowledge that, people have search numerous times for their favorite readings like this Atlas Copco Alarm Manual, but end up in harmful downloads. Rather than reading a



good book with a cup of coffee in the afternoon, instead they juggled with some harmful bugs inside their laptop. Atlas Copco Alarm Manual is available in our book collection an online access to it is set as public so you can download it instantly. Our digital library spans in multiple locations, allowing you to get the most less latency time to download any of our books like this one. Merely said, Atlas Copco Alarm Manual is universally compatible with any devices to read.

**Find Atlas Copco Alarm Manual :**

[john vachons america photographs and letters from the depression to world war ii](#)

[vespa-gt200-2009-repair-service-manual](#)

**2014 results for crct in hall county**

**mightier than the sword book one english edition**

**value of a royal manual typewriter**

[how to become a successful financial consultant](#)

*353 machine manual sewing singer*

[saturn shop manual](#)

*2nd semester review 2014 biology everman*

[2008 ap calc ab multiple choice](#)

[safeword quinacridone safewords book english edition](#)

**355 geometry mcdouglas answers**

[2004 bmw x3 series owners manual](#)

**zoom 505 ii user guide**

*2014 exemplar chemistry grd10*

**Atlas Copco Alarm Manual :**

**drogas sin fronteras by luis astorga overdrive** - Dec 26 2021

web drogas sin fronteras 1 prólogo introducción 1 baja california esteban cantú ensinada mexicali tijuana el doctor

bernardo b bátiz el general juan felipe

*drogas sin fronteras ebooks by luis astorga rakuten kobo* - Dec 06 2022

web el presente volumen se refiere al problema que existe en nuestros países producto de la situación de las drogas en México y su relación con los EE UU en el libro también se

**drogas sin fronteras luis astorga google books** - Aug 14 2023

web apr 16 2015 más de diez años después de su primera edición este libro se revela como un clásico fundamental para comprender el proceso histórico que derivó en la llamada

*drogas sin fronteras by luis astorga books on google* - Mar 09 2023

web drogas sin fronteras describe la relación entre México y Estados Unidos sobre el narcotráfico durante el periodo que va de 1916 a 1970

**drogas sin fronteras penguin libros** - May 11 2023

web drogas sin fronteras luis astorga bolsillo abril 2015 los expedientes de una guerra permanente más de diez años después de su primera edición este libro se

**drogas sin fronteras ebook lavanguardia com** - Aug 02 2022

web drogas sin frontera reúne los expedientes de una guerra permanente más de 10 años después de su primera edición este libro se revela como un clásico fundamental para

**drogas sin fronteras spanish edition kindle edition** - Apr 29 2022

web drogas sin fronteras drugs without borders astorga luis amazon es libros continuar sin aceptar selecciona tus preferencias de cookies utilizamos cookies y herramientas

*drogas sin fronteras drogas sin fronteras digital books* - Oct 24 2021

web translate sin drogas see spanish english translations with audio pronunciations examples and word by word explanations

**drogas sin fronteras astorga almanza luis alejandro free** - Jul 13 2023

web drogas sin fronteras by astorga almanza luis alejandro publication date 2003 topics drug control Mexico history 20th century drug control United States history

[drogas sin fronteras astorga luis amazon com mx libros](#) - May 31 2022

web download view astorga luis drogas sin fronteras as pdf for free more details pages 398 preview full text download view astorga luis drogas sin fronteras

**drogas sin fronteras luis astorga google books** - Oct 04 2022

web apr 16 2015 drogas sin fronteras ebook luis astorga comprar 2 83 5 de descuento sinopsis los expedientes de una guerra permanente más de diez años

**astorga luis drogas sin fronteras oq1nzypzw702 doku** - Mar 29 2022

web download astorga luis drogas sin fronteras type pdf date october 2019 size 4mb author Érika León this document was uploaded by user and they confirmed that

*drogas sin fronteras drugs without borders tapa blanda* - Feb 25 2022

web apr 16 2015 más de diez años después de su primera edición este libro se revela como un clásico fundamental para comprender el proceso histórico que derivó en la llamada

**drogas sin fronteras de luis astorga bajalibros com** - Nov 24 2021

web 23 hours ago candice welsch es un momento oportuno para pensar estrategias nuevas frente a las drogas la representante regional de la oficina de las naciones unidas para

download pdf astorga luis drogas sin fronteras - Jan 27 2022

web compra drogas sin fronteras de luis astorga en bajalibros tu tienda de libros online los expedientes de una guerra permanente más de diez años después de su primera

drogas sin fronteras by luis astorga ebook barnes noble - Nov 05 2022

web los expedientes de una guerra permanente más de diez años después de su primera edición este libro se revela como un clásico fundamental para comprender el proceso

drogas sin fronteras spanish edition amazon com - Jul 01 2022

web apr 16 2015 drogas sin fronteras spanish edition kindle edition by astorga luis download it once and read it on your kindle device pc phones or tablets use features

**drogas sin fronteras penguin libros** - Feb 08 2023

web más de diez años después de su primera edición este libro se revela como un clásico fundamental para comprender el proceso histórico que derivó en la llamada guerra

**drogas sin fronteras penguin libros** - Jun 12 2023

web drogas sin fronteras luis astorga bolsillo abril 2015 los expedientes de una guerra permanente más de diez años después de su primera edición este libro se

**drogas sin fronteras drugs without borders** - Apr 10 2023

web más de diez años después de su primera edición este libro se revela como un clásico fundamental para comprender el proceso histórico que derivó en la llamada guerra

*drogas sin fronteras penguin libros* - Sep 03 2022

web la investigación de luis astorga basada en el monumental acervo de los archivos nacionales de college park maryland reafirma su vigencia en el marco de una

candice welsch es un momento oportuno para pensar el país - Sep 22 2021

*sin drogas spanish translator* - Aug 22 2021

**drogas sin fronteras astorga luis libro en papel** - Jan 07 2023

web apr 16 2015 drogas sin fronteras by luis astorga read an excerpt of this book add to wishlist drogas sin fronteras by luis astorga ebook 3 99 ebook 3 99 learn

[fluids and hydraulics engineering and design handbook](#) - Aug 02 2022

web mud facts engineering handbook author milpark drilling fluids print book english 199 publisher milpark drilling fluids houston tex 199 show more information

*mud facts engineering handbook google books* - Sep 22 2021

*fluid facts engineering handbook fluid contamination course hero* - Nov 05 2022

web jan 1 2011 written by experts from around the world the handbook covers all major classes of hydraulic fluids in detail delving into chemistry design fluid maintenance

**baker hughes tech facts engineering handbook digital copy** - Feb 25 2022

web set sights on to download and install the fluid facts engineering handbook it is definitely easy then since currently we extend the partner to buy and create bargains to

[handbook of hydraulic fluid technology google books](#) - Dec 06 2022

web fluid facts engineering handbook fluid contamination and treatment 6 17 hydrogensulfide h<sub>2</sub>s h s 2 h<sub>2</sub>s fromformation gas thermaldegradationof organics

**fluid facts engineering handbook google books** - Aug 14 2023

web fluid facts engineering handbook contributor baker hughes inteq publisher baker hughes inteq 1997 export citation bibtex endnote refman

**baker hughes fluid facts engineering handbook pdf download** - Sep 03 2022

web this resource requires a premium membership open fluids and hydraulics engineering and design handbook chapter 1 general basics of fluids and hydraulics chapter 2

**fluid facts engineering handbook paperback amazon com** - Apr 10 2023

web mar 20 2017 buy fluid facts engineering handbook paperback class records lesson books amazon com free delivery possible on eligible purchases

**baker hughes inteq fluids facts pdf course hero** - Feb 08 2023

web fluid engineering handbook ibaker hughes inteq fluid facts engineering handbook part number 008902097 rev c december 1999 baker hughes inteq

**fluid facts engineering handbook** - Mar 09 2023

web fluid facts engineering handbook maintenance engineering handbook apr 30 2020 generations of engineers and managers have turned to this popular handbook for

**fluidfactsengineeringhandbook logs erpnext** - Jan 27 2022

web apr 9 2023 fluid facts engineering handbook 2 10 downloaded from uniport edu ng on april 9 2023 by guest laboratory techniques as well as the development of new

**baker hughes tech facts engineering handbook digital copy** - May 31 2022

web marks standard handbook for mechanical engineers elsevier the demand for oil and gas has brought exploration and production to unprecedented depths of the world s oceans

fluid facts engineering handbook ol wise edu jo - Dec 26 2021

web sep 10 2023 the mechanics that is the fluid mechanics is a branch of continuous mechanics that is in which the kinematics and mechanical behavior of materials are

mud facts engineering handbook worldcat org - Jul 01 2022

web baker hughes tech facts project guidebook digital copy this baker houges technic facts engineering handbook offering technical information for completions

**100970 fluid facts engineering handbook 2014 pdf course hero** - May 11 2023

web fluid facts engineering handbook fluid testing procedures 1 13 equation 1 1 where s shear strength lb 100 ft 2 z weight of shear tube and platform grams w total of

**handbook of hydraulic fluid technology second edition** - Oct 04 2022

web mar 21 2023 get baker hudges fluid facts engineering handbook pdf download here also read this features and table of browse also take the equipment additionally table

fluid mechanics detailed explanation and faqs vedantu - Oct 24 2021

fluidfactsengineeringhandbook pdf dev2 bryanu - Mar 29 2022

web an introduction to thermal fluid engineering fluid mechanics an informal introduction to turbulence biofluid mechanics a first course in fluid dynamics fluid mechanics

fluid definition models newtonian fluids non - Jan 07 2023

web oct 5 2011 detailing the major developments of the last decade the handbook of hydraulic fluid technology second edition updates the original and remains the most

baker huges drilling engineering handbook - Apr 29 2022

web the baker hughes tech facts engineering handbook is a comprehensive source of technical information for completions

workovers fishing and other downhole

**baker hedges fluid facts engineering handbook pdf download** - Jul 13 2023

web mar 21 2023 chapter 1 products applications and testing chapter 2 water base fluid systems chapter 3 oil and synthetic base drilling fluids chapter 4 engineering

fluid facts engineering handbook uniport edu ng - Nov 24 2021

web bibliographic information title mud facts engineering handbook contributor milpark drilling fluids publisher milpark drilling fluids 199 length 478 pages

**tech facts tech facts oilproduction net** - Jun 12 2023

web tech facts engineering handbook technical information for completions workovers and fishing comments requests and corrections should be sent to

**komunikasi antar budaya pengertian fungsi dan tujuannya** - Aug 04 2022

web dec 31 2021 view thoriqul huda pdf the rapid development of new media has been the main force accelerating the trend of globalization in human society in recent decades

**sikap toleransi antar budaya di indonesia researchgate** - Oct 26 2021

web aug 30 2023 komunikasi antar budaya dalam bisnis adalah proses pertukaran informasi gagasan dan pesan antara individu atau kelompok yang berasal dari budaya

*komunikasi antar budaya fungsi tujuan implementasi* - Jul 15 2023

komunikasi antar budaya tentu memiliki bentuk bentuknya berikut bentuk bentuk dari komunikasi antar budaya yaitu see more

**skom4318 komunikasi antar budaya edisi 2 perpustakaan** - Mar 11 2023

web komunikasi antar budaya memiliki ciri dinamis dan berkesinambungan secara terus menerus selain itu komunikasi antar budaya dapat memengaruhi satu sama lain

*pdf komunikasi antarbudaya dalam masyarakat multikultur* - Oct 06 2022

web jun 7 2017 melalui komunikasi antar budaya kita dapat menciptakan memahami dan mentransformasikan kebudayaan dan identitas menurut samovar dan porter 1991

pengertian komunikasi lintas budaya pentingnya dalam bisnis - Jan 29 2022

web komunikasi antar budaya editor sumartono deutsch 1996 empat fungsi model yaitu 1 organizing function mengorganisasikan kemiripan data dan hubungan yang tadinya

komunikasi antar budaya batak dan jawa studi - Dec 08 2022

web dec 16 2022 komunikasi antar budaya adalah bagaimana individu dari berbagai latar belakang budaya berinteraksi

dengan satu sama lain ataupun dalam kelompok

komunikasi antar budaya dalam masyarakat multikultural - Jun 02 2022

web jan 17 2023 pandangan lain dari guo ming chen dan william j starosta berdebat bahwa menurutnya komunikasi antar budaya adalah proses pertukaran dan negosiasi sistem

*komunikasi antar budaya pengertian contoh kasus dan* - Apr 12 2023

komunikasi antarbudaya adalah komunikasi yang terjadi diantara orang orang yang memiliki kebudayaan yang berbeda bisa beda ras etnik atau sosial ekonomi atau gabungan dari semua perbedaan ini kebudayaan adalah cara hidup yang berkembang dan dianut oleh masyarakat serta berlangsung dari generasi ke generasi

bab ii kajian teori a kajian pustaka 1 komunikasi antar - Nov 26 2021

web oct 8 2023 abstract sikap toleransi antar budaya merupakan salah satu sikap saling menghormati menghargai satu sama lain dalam menyikapi perbedaan tersebut yang

**7 unsur unsur komunikasi antar budaya pakarkomunikasi com** - Nov 07 2022

web komunikasi antar budaya kabupaten karanganyar 129 2 indah maulida dengan judul culture shock dalam interaksi komunikasi antarbudaya pada mahasiswa asal

**komunikasi antar budaya dalam bisnis memperkuat kerjasama** - Sep 24 2021

**komunikasi antarbudaya wikipedia bahasa indonesia** - May 13 2023

web jan 27 2022 kompas com komunikasi antarbudaya mengacu pada proses komunikasi antarindividu dari dua latar belakang budaya berbeda dalam praktiknya

*pdf komunikasi antar budaya academia edu* - Jul 03 2022

web komunikasi antarbudaya intercultural communication adalah proses pertukaran pikiran dan makna antara orang orang yang berbeda budaya ketika komunikasi terjadi antara

**pdf komunikasi antar budaya researchgate** - Aug 16 2023

komunikasi yang terjadi antar budaya seringkali terdengar hal ini karena kebudayaan atau pola hidup mereka yang berbeda akan see more

*model dan teori komunikasi antar budaya universitas esa unggul* - Dec 28 2021

web d hubungan komunikasi dan budaya dua konsep utama yang mewarnai komunikasi antarbudaya yaitu konsep kebudayaan dan konsep komunikasi hubungan antara

**pdf pengantar komunikasi antar budaya** - Mar 31 2022

web feb 5 2022 the dubai international airport iata dxb icao omdb is one of the world s busiest airport located in dubai

united arab emirates it is considered the

**komunikasi antarbudaya pengertian dan 6 asumsi dasarnya** - Jun 14 2023

web mar 7 2017 stewart l tubis mengatakan bahwa komunikasi antar budaya adalah komunikasi antara orang orang yang berbeda budaya pernyataan ini beranggapan

*komunikasi antar budaya ilmu komunikasi program studi* - Feb 27 2022

web oct 13 2023 komunikasi antar budaya mempunyai peranan penting dalam dunia bisnis untuk menyatukan perbedaan di setiap perusahaan apabila perusahaan atau karyawan

**komunikasi antar budaya pengertian fungsi dan bentuknya** - Sep 17 2023

guo ming chen dan william j sartosa mengatakan bahwa komunikasi antar budaya adalah sebuah proses negosiasi atau pertukaran dari sistem simbolik yang membimbing perilaku manusia dan membatasi mereka dalam menjalankan fungsinya sebagai kelompok selanjutnya komunikasi see more

**pdf new media dan komunikasi antarbudaya** - Sep 05 2022

web jun 1 2013 penelitian ini bertujuan untuk menemukan motif pengalaman makna atau komunikasi antar budaya yang dilakukan oleh pasangan kawin campur indonesia turki

mengenal konteks komunikasi antar budaya communication - Jan 09 2023

web jan 1 2018 dari perspektif komunikasi antarbudaya buku ini mencoba menghadirkan bahasan komprehensif bagaimana budaya termediasi di internet di dalamnya dapat

*komunikasi antar budaya di era budaya siber google books* - Feb 10 2023

web mata kuliah ini membahas tentang pengertian dan ruang lingkup studi komunikasi antarbudaya kebudayaan dan komunikasi persepsi pandangan dunia keyakinan

*komunikasi antarbudaya dalam masyarakat* - May 01 2022

web jul 9 2019 hasil penelitian menunjukkan bahwa 1 komunikasi antar budaya dapat berjalan dengan baik melalui pemahaman sosial yang terbangun dengan baik 2 bahasa