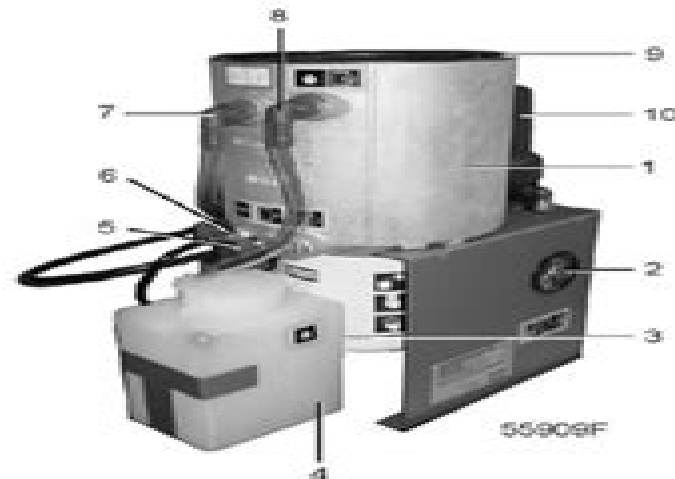


4 OSD oil/condensate separator (optional)

4.1 OSD unit

Oil-condensate separators

Compressed air leaving oil-injected compressors contains oil. During cooling of this air, oil-containing condensate is formed. OSD are designed to separate the major part of this oil from the condensate and to catch the oil in a collector. The condensate meets the requirements of the environmental codes.



General view of OSD 90, typical example

Reference	Designation
1	Vessel
2	Pressure gauge, filter
3	Oil filter
4	Oil collector
5	Condensate inlet
6	Dip of filter
7	Clean condensate outlet
8	Oil outlet
9	Cover
10	Pre-filter

Atlas Copco Ga75 Ff Manual

t. editor Rogert



Atlas Copco Ga75 Ff Manual:
Atlas Copco Manual ,1978

Atlas Copco Manual t. editor Rogert,1975

Atlas Copco Manual ,1971

Discover tales of courage and bravery in Crafted by is empowering ebook, **Atlas Copco Ga75 Ff Manual** . In a downloadable PDF format (*), this collection inspires and motivates. Download now to witness the indomitable spirit of those who dared to be brave.

https://recruitmentslovakia.sk/data/browse/index.jsp/Chap_7_Macroeconomics_Abel_Problems_Solutions.pdf

Table of Contents Atlas Copco Ga75 Ff Manual

1. Understanding the eBook Atlas Copco Ga75 Ff Manual
 - The Rise of Digital Reading Atlas Copco Ga75 Ff Manual
 - Advantages of eBooks Over Traditional Books
2. Identifying Atlas Copco Ga75 Ff Manual
 - Exploring Different Genres
 - Considering Fiction vs. Non-Fiction
 - Determining Your Reading Goals
3. Choosing the Right eBook Platform
 - Popular eBook Platforms
 - Features to Look for in an Atlas Copco Ga75 Ff Manual
 - User-Friendly Interface
4. Exploring eBook Recommendations from Atlas Copco Ga75 Ff Manual
 - Personalized Recommendations
 - Atlas Copco Ga75 Ff Manual User Reviews and Ratings
 - Atlas Copco Ga75 Ff Manual and Bestseller Lists
5. Accessing Atlas Copco Ga75 Ff Manual Free and Paid eBooks
 - Atlas Copco Ga75 Ff Manual Public Domain eBooks
 - Atlas Copco Ga75 Ff Manual eBook Subscription Services
 - Atlas Copco Ga75 Ff Manual Budget-Friendly Options
6. Navigating Atlas Copco Ga75 Ff Manual eBook Formats

- ePub, PDF, MOBI, and More
 - Atlas Copco Ga75 Ff Manual Compatibility with Devices
 - Atlas Copco Ga75 Ff Manual Enhanced eBook Features
7. Enhancing Your Reading Experience
 - Adjustable Fonts and Text Sizes of Atlas Copco Ga75 Ff Manual
 - Highlighting and Note-Taking Atlas Copco Ga75 Ff Manual
 - Interactive Elements Atlas Copco Ga75 Ff Manual
 8. Staying Engaged with Atlas Copco Ga75 Ff Manual
 - Joining Online Reading Communities
 - Participating in Virtual Book Clubs
 - Following Authors and Publishers Atlas Copco Ga75 Ff Manual
 9. Balancing eBooks and Physical Books Atlas Copco Ga75 Ff Manual
 - Benefits of a Digital Library
 - Creating a Diverse Reading Collection Atlas Copco Ga75 Ff Manual
 10. Overcoming Reading Challenges
 - Dealing with Digital Eye Strain
 - Minimizing Distractions
 - Managing Screen Time
 11. Cultivating a Reading Routine Atlas Copco Ga75 Ff Manual
 - Setting Reading Goals Atlas Copco Ga75 Ff Manual
 - Carving Out Dedicated Reading Time
 12. Sourcing Reliable Information of Atlas Copco Ga75 Ff Manual
 - Fact-Checking eBook Content of Atlas Copco Ga75 Ff Manual
 - Distinguishing Credible Sources
 13. Promoting Lifelong Learning
 - Utilizing eBooks for Skill Development
 - Exploring Educational eBooks
 14. Embracing eBook Trends
 - Integration of Multimedia Elements
 - Interactive and Gamified eBooks

Atlas Copco Ga75 Ff Manual Introduction

In the digital age, access to information has become easier than ever before. The ability to download Atlas Copco Ga75 Ff Manual has revolutionized the way we consume written content. Whether you are a student looking for course material, an avid reader searching for your next favorite book, or a professional seeking research papers, the option to download Atlas Copco Ga75 Ff Manual has opened up a world of possibilities. Downloading Atlas Copco Ga75 Ff Manual provides numerous advantages over physical copies of books and documents. Firstly, it is incredibly convenient. Gone are the days of carrying around heavy textbooks or bulky folders filled with papers. With the click of a button, you can gain immediate access to valuable resources on any device. This convenience allows for efficient studying, researching, and reading on the go. Moreover, the cost-effective nature of downloading Atlas Copco Ga75 Ff Manual has democratized knowledge. Traditional books and academic journals can be expensive, making it difficult for individuals with limited financial resources to access information. By offering free PDF downloads, publishers and authors are enabling a wider audience to benefit from their work. This inclusivity promotes equal opportunities for learning and personal growth. There are numerous websites and platforms where individuals can download Atlas Copco Ga75 Ff Manual. These websites range from academic databases offering research papers and journals to online libraries with an expansive collection of books from various genres. Many authors and publishers also upload their work to specific websites, granting readers access to their content without any charge. These platforms not only provide access to existing literature but also serve as an excellent platform for undiscovered authors to share their work with the world. However, it is essential to be cautious while downloading Atlas Copco Ga75 Ff Manual. Some websites may offer pirated or illegally obtained copies of copyrighted material. Engaging in such activities not only violates copyright laws but also undermines the efforts of authors, publishers, and researchers. To ensure ethical downloading, it is advisable to utilize reputable websites that prioritize the legal distribution of content. When downloading Atlas Copco Ga75 Ff Manual, users should also consider the potential security risks associated with online platforms. Malicious actors may exploit vulnerabilities in unprotected websites to distribute malware or steal personal information. To protect themselves, individuals should ensure their devices have reliable antivirus software installed and validate the legitimacy of the websites they are downloading from. In conclusion, the ability to download Atlas Copco Ga75 Ff Manual has transformed the way we access information. With the convenience, cost-effectiveness, and accessibility it offers, free PDF downloads have become a popular choice for students, researchers, and book lovers worldwide. However, it is crucial to engage in ethical downloading practices and prioritize personal security when utilizing online platforms. By doing so, individuals can make the most of the vast array of free PDF resources available and embark on a journey of continuous learning and intellectual growth.

FAQs About Atlas Copco Ga75 Ff Manual Books

What is a Atlas Copco Ga75 Ff Manual PDF? A PDF (Portable Document Format) is a file format developed by Adobe that preserves the layout and formatting of a document, regardless of the software, hardware, or operating system used to view or print it. **How do I create a Atlas Copco Ga75 Ff Manual PDF?** There are several ways to create a PDF: Use software like Adobe Acrobat, Microsoft Word, or Google Docs, which often have built-in PDF creation tools. Print to PDF: Many applications and operating systems have a "Print to PDF" option that allows you to save a document as a PDF file instead of printing it on paper. Online converters: There are various online tools that can convert different file types to PDF. **How do I edit a Atlas Copco Ga75 Ff Manual PDF?** Editing a PDF can be done with software like Adobe Acrobat, which allows direct editing of text, images, and other elements within the PDF. Some free tools, like PDFescape or Smallpdf, also offer basic editing capabilities. **How do I convert a Atlas Copco Ga75 Ff Manual PDF to another file format?** There are multiple ways to convert a PDF to another format: Use online converters like Smallpdf, Zamzar, or Adobe Acrobats export feature to convert PDFs to formats like Word, Excel, JPEG, etc. Software like Adobe Acrobat, Microsoft Word, or other PDF editors may have options to export or save PDFs in different formats. **How do I password-protect a Atlas Copco Ga75 Ff Manual PDF?** Most PDF editing software allows you to add password protection. In Adobe Acrobat, for instance, you can go to "File" -> "Properties" -> "Security" to set a password to restrict access or editing capabilities. Are there any free alternatives to Adobe Acrobat for working with PDFs? Yes, there are many free alternatives for working with PDFs, such as: LibreOffice: Offers PDF editing features. PDFsam: Allows splitting, merging, and editing PDFs. Foxit Reader: Provides basic PDF viewing and editing capabilities. How do I compress a PDF file? You can use online tools like Smallpdf, ILovePDF, or desktop software like Adobe Acrobat to compress PDF files without significant quality loss. Compression reduces the file size, making it easier to share and download. Can I fill out forms in a PDF file? Yes, most PDF viewers/editors like Adobe Acrobat, Preview (on Mac), or various online tools allow you to fill out forms in PDF files by selecting text fields and entering information. Are there any restrictions when working with PDFs? Some PDFs might have restrictions set by their creator, such as password protection, editing restrictions, or print restrictions. Breaking these restrictions might require specific software or tools, which may or may not be legal depending on the circumstances and local laws.

Find Atlas Copco Ga75 Ff Manual :

[chap 7 macroeconomics abel problems solutions](#)

[cat grade 11 exemplar final examination](#)

[chapter 11 the political system workbook answers](#)

[ch 14 international financial management solutions](#)

[ecgps sample test questions](#)

chapter 12 anatomy and physiology coloring workbook

chapter 16 test sound and light answer key

[ch12 biology study guide](#)

[century 21 accounting 9 7 challenge problem](#)

ch thermochemistry answers

chapter 10 test form 2d precalc

cells and heredity chapter 4 answer key

[cat 420e service manual](#)

cerita seks anak sekolah menengah atas

[catholic church scavenger hunt ideas](#)

Atlas Copco Ga75 Ff Manual :

[biology in the dp international baccalaureate](#) - Jan 07 2023

web sep 13 2023 the external assessment of biology consists of three written papers in paper 1 there are 30 at sl or 40 at hl multiple choice questions paper 2 contains short answer and extended response questions on the core and additional higher level ahl material at hl

[ib biology hl 2024 past papers revision village](#) - Sep 15 2023

web ib biology hl 2024 past papers in the past papers section you will find full worked solutions to the questions asked on previous ib biology hl higher level 2024 exams within each video an experienced ib teacher will

ib biology hl paper 2 question bank tychr tychr - May 11 2023

web the ib biology hl paper 2 question bank is a great resource for students preparing for their ib biology hl exams the question bank contains a wealth of questions covering all the topics in the ib biology hl syllabus

[diploma sample exam papers international baccalaureate](#) - Jun 12 2023

web jul 4 2023 sample exam papers last updated 04 july 2023 the following are examples of actual past examination papers and a selection of specimen examination papers they are provided for information only

[ib biology hl 2024 revision village](#) - Oct 04 2022

web there s no better preparation for sitting the ib exams than answering exactly the types of questions you will be asked on the actual examinations best ib biology resource in 2023 ib biology hl higher level 2024 questionbank practice exams past

paper video solutions key concepts summary videos

biology higher and standard level international baccalaureate - Dec 06 2022

web specimen paper 2 hours paper 1a and paper 1b biology higher level paper 1a instructions to candidates y do not open this examination paper until instructed to do so y answer all questions y for each question choose the answer you consider to be the best and indicate your choice on the answer sheet provided

every ib biology past paper available free and official - Apr 10 2023

web here is the time allotted for each paper ib biology sl ib biology sl paper 1 45 minutes ib biology sl paper 2 1 hour 15 minutes ib biology sl paper 3 1 hour ib biology sl ib biology hl paper 1 1 hour ib biology hl paper 2 2 hours 15 minutes ib biology hl paper 3 1 hour 15 minutes in this time frame you need to finish ib

biology hl paper 2 solutions ib biology answers - Aug 02 2022

web biology hl paper 2 solutions

ib biology hl past papers updated 2023 nail ib - Nov 05 2022

web ib biology hl we have created automated tests from papers of over 10 years use these 2611 automated ib questions as a secret weapon for acing your biology hl paper 1

ib biology hl 2024 questionbank revision village - Feb 25 2022

web ib biology ib biology hl 2024 questionbank ib biology hl 2024 questionbank the ib biology hl higher level 2024 questionbank is a great source of practice questions coming from the entire syllabus each question comes with a clear markscheme and solution video with an experienced ib teacher going through the question step by step

ib biology hl 2024 questionbank membrane structure - Mar 29 2022

web ib biology hl higher level 2024 membrane structure revision village best ib biology hl 2024 resource in 2023

international baccalaureate organization 2021 - Aug 14 2023

web oct 27 2021 biology higher level paper 2 instructions to candidates y write your session number in the boxes above y do not open this examination paper until instructed to do so y section a answer all questions y section b answer two questions y answers must be written within the answer boxes provided y a calculator is required for this paper

may 2021 biology higher level paper 2 edukamer info - Jul 01 2022

web subject details biology hl paper 2 markscheme candidates are required to answer all questions in section a and two out of three questions in section b maximum total 72 marks each row in the question column relates to the smallest subpart of the question the maximum mark for each question subpart is indicated in the total column

overview biology hl iblieve - Sep 03 2022

web jul 15 2020 biology hl students are graded based on 3 final papers one ia and the group 4 project paper 1 this paper

consists of 40 multiple choice questions all topics except for the option will be tested and around 15 of them will be based on content from core topics paper 2

ib biology past papers questions by topic save my exams - Mar 09 2023

web sl ib biology revision notes our expert ib teachers examiners have written revision notes practice questions tips for your ib exams to help you get the best grades possible

the best ib biology study guide and notes for sl hl prepscholar - Apr 29 2022

web study guide for the ib biology sl hl core below are all the best notes for ib biology sl and hl ib biology sl consists of a minimum of 150 prescribed hours and ib biology hl consists of a minimum of 240 prescribed hours both levels cover topics 1 6 and hl additionally consists of topics 7 11

ib biology exam breakdown tiber tutor sail through the ib - Jan 27 2022

web ib biology exam breakdown information on questions marks and timing for ib biology paper 1 2 3 for the ib biology sl exam and hl exam

international baccalaureate ib biology hl past papers - Jul 13 2023

web ib biology past papers higher level hl questions year exam type problems solutions ib biology past papers hl 2016 2021 2021 may hl p1 q1 q40 z1 mcqs questions answers q1 q40 z2 mcqs questions answers hl p 2

ib biology revision paper 2 tips from teachers and examiners - May 31 2022

web feb 7 2021 whether you are taking hl or sl these tips for ib biology paper 2 will help you approach your ib mocks and final ib biology exams with confidence for help in your multiple choice paper 1 or to book a lesson with us on any ib biology topic here

ib biology resources google docs google sheets - Feb 08 2023

web self grading test 2 hl self grading test 3 hl self grading test 4 hl self grading test 5 hl self grading test 6 hl self grading test 7 hl self grading test 8 hl self grading test 9 hl self grading test 10 hl draw and label command terms past paper ib draw label questions and answers sl past paper ib draw label questions and

smeraldi a colazione le mie sette vite google books - Mar 14 2023

smeraldi a colazione le mie sette vite marta marzotto cairo biography autobiography 288 pages sorridente e solare con i suoi caftani e le collane esagerate marta marzotto è stata una

smeraldi a colazione le mie sette vite amazon it - Jun 17 2023

smeraldi a colazione le mie sette vite copertina flessibile 25 giugno 2020 di marta marzotto autore laura laurenzi 3 6 645 voti visualizza tutti i formati ed edizioni formato kindle 6 99

smeraldi a colazione le mie sette vite copertina rigida amazon it - Jul 18 2023

sorridente solare e ubiqua con i suoi caftani da gran sera e le collane esagerate marta marzotto per sua stessa definizione nata libera è una donna esuberante incontinentibile che ha vissuto

smeraldi a colazione le mie sette vite marta marzotto laura - Dec 31 2021

smeraldi a colazione le mie sette vite è un libro di marta marzotto laura laurenzi pubblicato da cairo acquista su ibs a 10 00

smeraldi a colazione le mie sette vite hardcover amazon com au - May 04 2022

smeraldi a colazione le mie sette vite marzotto marta laurenzi laura on amazon com au free shipping on eligible orders

smeraldi a colazione le mie sette vite

smeraldi a colazione le mie sette vite google books - Nov 10 2022

ma il vero cuore di queste memorie è l intensità del legame con renato guttuso un amore che condizionerà per vent anni l

arte di uno e la vita di entrambi lui la dipinge ovunque le

smeraldi a colazione cairoeditore - Apr 15 2023

le mie sette vite marta marzotto con laura laurenzi sorridente solare e ubiqua con i suoi caftani da gran sera e le collane esagerate marta marzotto per sua stessa definizione nata

smeraldi a colazione le mie sette vite amazon fr - Mar 02 2022

smeraldi a colazione le mie sette vite marzotto marta laurenzi laura amazon fr livres

smeraldi a colazione le mie sette vite hardcover amazon com - Jul 06 2022

amazon com smeraldi a colazione le mie sette vite 9788860526359 marta marzotto books

smeraldi a colazione le mie sette vite mondadori store - Feb 13 2023

esaurito consegna gratis da 24 aggiungi ai preferiti sorridente solare e ubiqua con i suoi caftani da gran sera e le collane esagerate marta marzotto per sua stessa definizione nata

smeraldi a colazione le mie sette vite hardcover amazon in - Feb 01 2022

le mie sette vite book online at best prices in india on amazon in read smeraldi a colazione le mie sette vite book reviews

author details and more at amazon in free delivery on

smeraldi a colazione le mie sette vite hardcover 16 jun 2016 - Oct 09 2022

buy smeraldi a colazione le mie sette vite by laurenzi laura marzotto marta isbn 9788860526359 from amazon s book store everyday low prices and free delivery on eligible

smeraldi a colazione le mie sette vite formato kindle amazon it - Aug 19 2023

un libro pieno zeppo di complimenti a se stessa con tutte le lodi possibili a volte addirittura discordanti fragile e forte leonessa tenera ci offre un carattere altamente costruito di sé

smeraldi a colazione le mie sette vite marta marzotto laura - Sep 20 2023

smeraldi a colazione le mie sette vite è un libro di marta marzotto laura laurenzi pubblicato da cairo nella collana storie acquista su ibs a 15 20

smeraldi a colazione le mie sette vite goodreads - May 16 2023

jun 25 2020 sorridente e solare con i suoi caftani e le collane esagerate marta marzotto è stata una donna esuberante che ha vissuto una vita a tinte forti anzi sette vite giovane e

smeraldi a colazione le mie sette vite italian edition kindle - Jan 12 2023

jun 25 2020 buy smeraldi a colazione le mie sette vite italian edition read kindle store reviews amazon com amazon com smeraldi a colazione le mie sette vite italian

smeraldi a colazione le mie sette vite lafeltrinelli - Sep 08 2022

smeraldi a colazione le mie sette vite è un libro di marta marzotto laura laurenzi pubblicato da cairo nella collana storie acquista su lafeltrinelli a 15 20 aggiungi l articolo in

smeraldi a colazione le mie sette vite audio download marta - Jun 05 2022

smeraldi a colazione le mie sette vite audio download marta marzotto laura laurenzi erika urban audible studios amazon in audible books originals

smeraldi a colazione le mie sette vite ebook epub fnac - Apr 03 2022

sorridente e solare con i suoi caftani e le collane esagerate marta marzotto è stata una donna esuberante che ha vissuto una vita a tinte forti anzi sette vite giovane e bella dalla miseria

smeraldi a colazione le mie sette vite laurenzi laura - Dec 11 2022

smeraldi a colazione le mie sette vite di laura laurenzi autore marta marzotto autore cairo 2020 0 ebook scaricabile subito 6 99 70 punti aggiungi al carrello venditore ibs

smeraldi a colazione le mie sette vite lafeltrinelli - Aug 07 2022

smeraldi a colazione le mie sette vite è un libro di marta marzotto laura laurenzi pubblicato da cairo acquista su lafeltrinelli a 9 50

worksheets organic chemistry chemistry libretxts - Jun 14 2023

web jun 11 2021 worksheets organic chemistry 13b balancing redox equations worksheet acids as electrophiles and bases as nucleophiles worksheet in an effort to introduce more engaged learning in courses you can assign worksheets for the discussions

organic molecules worksheet answer key worksheet answers - Jan 29 2022

web mar 21 2023 organic molecules worksheet answer key visit the reading comprehension page for a whole assortment of fiction passages and nonfiction articles for grades one by way of six enter the price paid by every mother or

7 1 organic molecules biology libretexts - Mar 31 2022

web the simplest organic molecule is methane ch 4 depicted here molecules with the same atomic makeup but different structural arrangement of atoms are called isomers the concept of isomerism is very important in chemistry because the structure of a molecule is always directly related to its function

organic molecules worksheet re key pdf nucleotides scribd - Aug 16 2023

web download now of 4 name j period organic molecules worksheet review read through eac seer on and arlswer the fo owing questions organic molecules are the molecules which exist in all living things they ore life s building blocks all things ore formed from these organic molecules there are four categories of organic

organic molecules study guide flashcards quizlet - Sep 05 2022

web what are the 4 categories of all living things carbohydrates lipids proteins and nucleic acids polymer large molecule what are the 4 characteristics of all organic molecules all carbon based small molecules build together shape determines function build from a single block what are the 3 classes of carbohydrate starch glycogen cellulose

ck 12 chemistry concepts intermediate answer key - May 01 2022

web answers 1 on the carbon atom 2 similar groups of atoms in a molecule 3 in general the lower the melting point the more reactive the molecule is review questions 1 what is organic chemistry 2 what is an organic compound 3 how do biochemistry and organic chemistry overlap answers 1 the study of organic compounds 2

organic molecules lab lab answers for dr o quinn studocu - Aug 04 2022

web distinguish differences in molecular and structural formulas for organic molecules construct models of organic molecules carbohydrates alcohols and fatty acids for now understand isomerism and appreciate how isomeric constructs can change the function of organic molecules

4 2 lewis structures problems chemistry libretexts - Dec 08 2022

web the arrangement of atoms in several biologically important molecules is given here complete the lewis structures of these molecules by adding multiple bonds and lone pairs do not add any more atoms a the amino acid serine b urea c pyruvic acid d uracil e carbonic acid answer a answer b answer c answer d answer e

organic molecules worksheet review flashcards quizlet - Oct 06 2022

web study with quizlet and memorize flashcards containing terms like how are organic molecules related to all living things name four categories of organic molecules which form the basis of all living things all of the organic molecules are based on which element and more

1 1 introduction to organic chemistry chemistry libretexts - Jun 02 2022

web key takeaways organic chemistry is the study of the chemistry of carbon compounds organic molecules can be classified

according to the types of elements and bonds in the molecules

chapter 2 answers recitation worksheet answer key - Jan 09 2023

web chem 115 recitation chapter 2 structure and properties of organic molecules hybridization and geometry 1 draw the following compounds in correct 3D geometry using wedges and dashes show all lone pairs and indicate bond angles sp^3 e
nondradal CH_2Cl_2 a was amp quot wagrucooh h h 6

organic chemistry 6th edition solutions and answers quizlet - Jul 15 2023

web science chemistry organic chemistry organic chemistry 6th edition isbn 9781260119107 alternate isbns janice gorzynski smith textbook solutions verified chapter 1 structure and bonding exercise 1 exercise 2 exercise 3 exercise 4 exercise 5 exercise 6 exercise 7 exercise 8 exercise 9 exercise 10 exercise 11 exercise 12

3 5 introduction to organic molecules chemistry libretexts - Mar 11 2023

web feb 24 2022 answers organic chemistry is the study of the chemistry of carbon compounds a functional group is a specific structural arrangement of atoms or bonds that imparts a characteristic chemical reactivity to the molecule alcohol group and carboxylic group answers will vary

organic chemistry short questions and answers gkseries - Dec 28 2021

web free download in pdf organic chemistry multiple choice questions and answers for competitive exams these short objective type questions with answers are very important for board exams as well as competitive exams like upsc nda ssc etc these short solved questions or quizzes are provided by gkseries p

organic reactions worksheet with answer key scientific - Apr 12 2023

web nov 1 2022 organic reactions worksheet answer key 1 what is an organic compound an organic compound is a molecule made up of carbon and hydrogen atoms which often occurs in nature or is synthetically produced 2 name the different types of organic compounds vitamins carbohydrates proteins lipids carboxylic acids

organic chemistry worksheets 14 16 years rsc education - Nov 07 2022

web differentiated editable worksheets providing a wide range of assessment questions to support key topics in organic chemistry in context worksheets ask learners to apply their knowledge of organic chemistry topics to interesting contexts from everyday life helping them develop their skills in applying knowledge

1 3 organic molecules biology libretexts - Feb 27 2022

web jul 12 2023 introduction in its simplest definition organic compounds include all molecules that contain carbon by this definition simple molecules such as carbon monoxide CO and carbon dioxide CO_2 would be defined as organic molecules however these simple molecules behave more like inorganic molecules than organic

1 7 answers to practice questions chapter 1 chemistry - Feb 10 2023

web dec 16 2021 rank the following bonds in the order of increasing bonding polarity c s c o c f referring to the trend of electronegativity values bonding polarity c s c o c f 1 3 draw the lewis structure of n 2 molecule

organic molecules for chemistry chapter exam study com - Jul 03 2022

web test and improve your knowledge of organic molecules for chemistry with fun multiple choice exams you can take online with study com

pattern matching answer key pdf nucleotides - May 13 2023

web pattern matching classifying organic molecules background you have previously learned about the four classes of large biological molecules lipids nucleic acids proteins and carbohydrates in this activity you will work with a group to identify the major classes of organic molecules and distinguish the features of each class of molecules