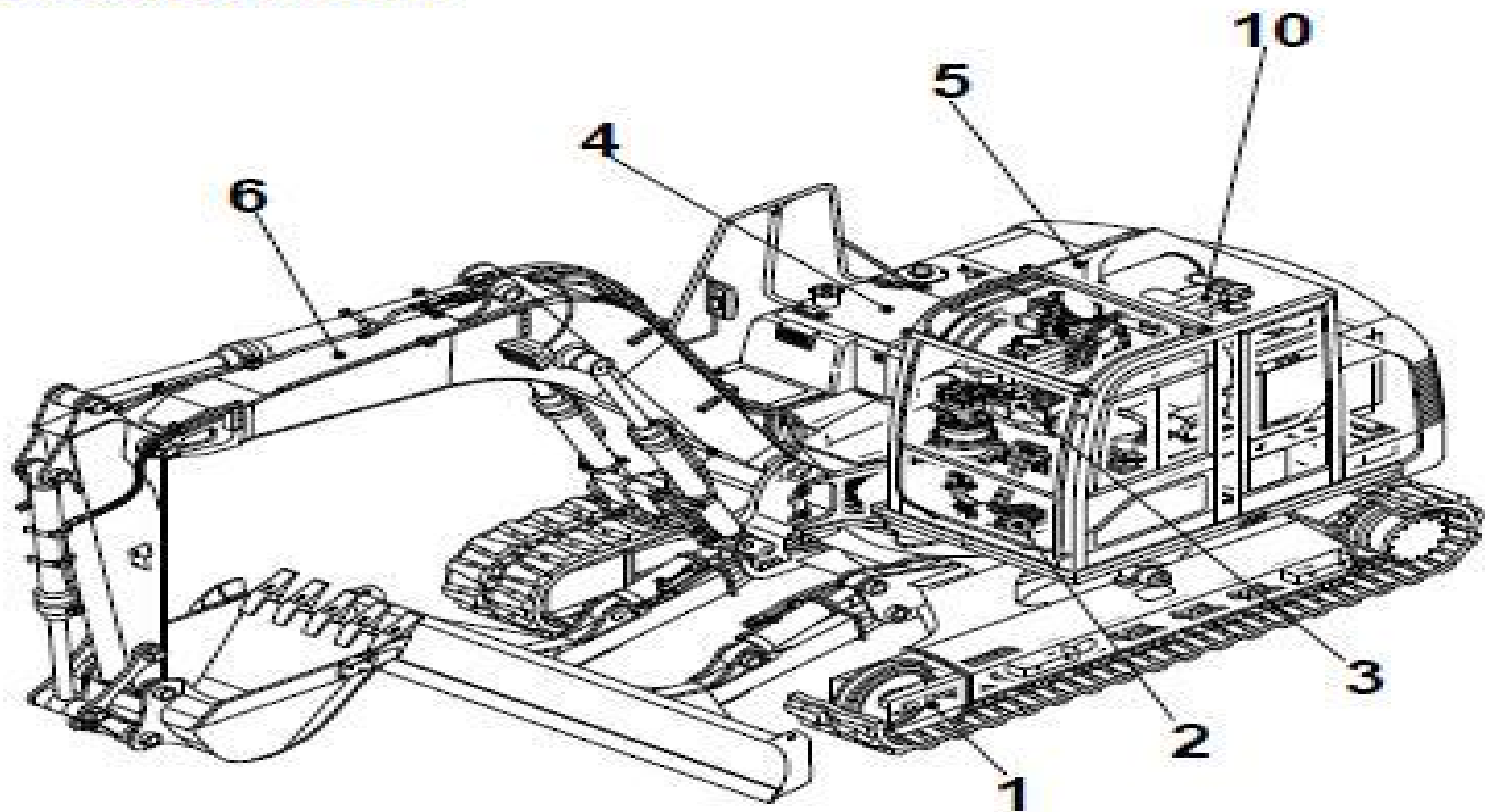


TB1140

Book No. BN0Z008
Serial No. 51400005-



TAKEUCHI

Takeuchi Tb1140 Hydraulic Excavator Parts Manual Sn 51400005 And Up

Padhraic Smyth



Takeuchi Tb1140 Hydraulic Excavator Parts Manual Sn 51400005 And Up:

This is likewise one of the factors by obtaining the soft documents of this **Takeuchi Tb1140 Hydraulic Excavator Parts Manual Sn 51400005 And Up** by online. You might not require more era to spend to go to the books foundation as skillfully as search for them. In some cases, you likewise complete not discover the proclamation Takeuchi Tb1140 Hydraulic Excavator Parts Manual Sn 51400005 And Up that you are looking for. It will unquestionably squander the time.

However below, later you visit this web page, it will be so totally easy to get as skillfully as download lead Takeuchi Tb1140 Hydraulic Excavator Parts Manual Sn 51400005 And Up

It will not understand many become old as we notify before. You can attain it while undertaking something else at house and even in your workplace. in view of that easy! So, are you question? Just exercise just what we manage to pay for below as competently as evaluation **Takeuchi Tb1140 Hydraulic Excavator Parts Manual Sn 51400005 And Up** what you past to read!

https://recruitmentslovakia.sk/files/Resources/Download_PDFS/instructors%20resource%20manual%20and%20essentials%20of%20psychology.pdf

Table of Contents Takeuchi Tb1140 Hydraulic Excavator Parts Manual Sn 51400005 And Up

1. Understanding the eBook Takeuchi Tb1140 Hydraulic Excavator Parts Manual Sn 51400005 And Up
 - The Rise of Digital Reading Takeuchi Tb1140 Hydraulic Excavator Parts Manual Sn 51400005 And Up
 - Advantages of eBooks Over Traditional Books
2. Identifying Takeuchi Tb1140 Hydraulic Excavator Parts Manual Sn 51400005 And Up
 - Exploring Different Genres
 - Considering Fiction vs. Non-Fiction
 - Determining Your Reading Goals
3. Choosing the Right eBook Platform
 - Popular eBook Platforms
 - Features to Look for in an Takeuchi Tb1140 Hydraulic Excavator Parts Manual Sn 51400005 And Up

- User-Friendly Interface
- 4. Exploring eBook Recommendations from Takeuchi Tb1140 Hydraulic Excavator Parts Manual Sn 51400005 And Up
 - Personalized Recommendations
 - Takeuchi Tb1140 Hydraulic Excavator Parts Manual Sn 51400005 And Up User Reviews and Ratings
 - Takeuchi Tb1140 Hydraulic Excavator Parts Manual Sn 51400005 And Up and Bestseller Lists
- 5. Accessing Takeuchi Tb1140 Hydraulic Excavator Parts Manual Sn 51400005 And Up Free and Paid eBooks
 - Takeuchi Tb1140 Hydraulic Excavator Parts Manual Sn 51400005 And Up Public Domain eBooks
 - Takeuchi Tb1140 Hydraulic Excavator Parts Manual Sn 51400005 And Up eBook Subscription Services
 - Takeuchi Tb1140 Hydraulic Excavator Parts Manual Sn 51400005 And Up Budget-Friendly Options
- 6. Navigating Takeuchi Tb1140 Hydraulic Excavator Parts Manual Sn 51400005 And Up eBook Formats
 - ePub, PDF, MOBI, and More
 - Takeuchi Tb1140 Hydraulic Excavator Parts Manual Sn 51400005 And Up Compatibility with Devices
 - Takeuchi Tb1140 Hydraulic Excavator Parts Manual Sn 51400005 And Up Enhanced eBook Features
- 7. Enhancing Your Reading Experience
 - Adjustable Fonts and Text Sizes of Takeuchi Tb1140 Hydraulic Excavator Parts Manual Sn 51400005 And Up
 - Highlighting and Note-Taking Takeuchi Tb1140 Hydraulic Excavator Parts Manual Sn 51400005 And Up
 - Interactive Elements Takeuchi Tb1140 Hydraulic Excavator Parts Manual Sn 51400005 And Up
- 8. Staying Engaged with Takeuchi Tb1140 Hydraulic Excavator Parts Manual Sn 51400005 And Up
 - Joining Online Reading Communities
 - Participating in Virtual Book Clubs
 - Following Authors and Publishers Takeuchi Tb1140 Hydraulic Excavator Parts Manual Sn 51400005 And Up
- 9. Balancing eBooks and Physical Books Takeuchi Tb1140 Hydraulic Excavator Parts Manual Sn 51400005 And Up
 - Benefits of a Digital Library
 - Creating a Diverse Reading Collection Takeuchi Tb1140 Hydraulic Excavator Parts Manual Sn 51400005 And Up
- 10. Overcoming Reading Challenges
 - Dealing with Digital Eye Strain
 - Minimizing Distractions
 - Managing Screen Time
- 11. Cultivating a Reading Routine Takeuchi Tb1140 Hydraulic Excavator Parts Manual Sn 51400005 And Up
 - Setting Reading Goals Takeuchi Tb1140 Hydraulic Excavator Parts Manual Sn 51400005 And Up

- Carving Out Dedicated Reading Time
- 12. Sourcing Reliable Information of Takeuchi Tb1140 Hydraulic Excavator Parts Manual Sn 51400005 And Up
 - Fact-Checking eBook Content of Takeuchi Tb1140 Hydraulic Excavator Parts Manual Sn 51400005 And Up
 - Distinguishing Credible Sources
- 13. Promoting Lifelong Learning
 - Utilizing eBooks for Skill Development
 - Exploring Educational eBooks
- 14. Embracing eBook Trends
 - Integration of Multimedia Elements
 - Interactive and Gamified eBooks

Takeuchi Tb1140 Hydraulic Excavator Parts Manual Sn 51400005 And Up Introduction

Takeuchi Tb1140 Hydraulic Excavator Parts Manual Sn 51400005 And Up Offers over 60,000 free eBooks, including many classics that are in the public domain. Open Library: Provides access to over 1 million free eBooks, including classic literature and contemporary works. Takeuchi Tb1140 Hydraulic Excavator Parts Manual Sn 51400005 And Up Offers a vast collection of books, some of which are available for free as PDF downloads, particularly older books in the public domain. Takeuchi Tb1140 Hydraulic Excavator Parts Manual Sn 51400005 And Up : This website hosts a vast collection of scientific articles, books, and textbooks. While it operates in a legal gray area due to copyright issues, its a popular resource for finding various publications. Internet Archive for Takeuchi Tb1140 Hydraulic Excavator Parts Manual Sn 51400005 And Up : Has an extensive collection of digital content, including books, articles, videos, and more. It has a massive library of free downloadable books. Free-eBooks Takeuchi Tb1140 Hydraulic Excavator Parts Manual Sn 51400005 And Up Offers a diverse range of free eBooks across various genres. Takeuchi Tb1140 Hydraulic Excavator Parts Manual Sn 51400005 And Up Focuses mainly on educational books, textbooks, and business books. It offers free PDF downloads for educational purposes. Takeuchi Tb1140 Hydraulic Excavator Parts Manual Sn 51400005 And Up Provides a large selection of free eBooks in different genres, which are available for download in various formats, including PDF. Finding specific Takeuchi Tb1140 Hydraulic Excavator Parts Manual Sn 51400005 And Up, especially related to Takeuchi Tb1140 Hydraulic Excavator Parts Manual Sn 51400005 And Up, might be challenging as theyre often artistic creations rather than practical blueprints. However, you can explore the following steps to search for or create your own Online Searches: Look for websites, forums, or blogs dedicated to Takeuchi Tb1140 Hydraulic Excavator Parts Manual Sn 51400005 And Up, Sometimes enthusiasts share their designs or concepts in PDF format. Books and Magazines Some Takeuchi Tb1140 Hydraulic Excavator Parts Manual Sn

51400005 And Up books or magazines might include. Look for these in online stores or libraries. Remember that while Takeuchi Tb1140 Hydraulic Excavator Parts Manual Sn 51400005 And Up, sharing copyrighted material without permission is not legal. Always ensure you're either creating your own or obtaining them from legitimate sources that allow sharing and downloading. Library Check if your local library offers eBook lending services. Many libraries have digital catalogs where you can borrow Takeuchi Tb1140 Hydraulic Excavator Parts Manual Sn 51400005 And Up eBooks for free, including popular titles. Online Retailers: Websites like Amazon, Google Books, or Apple Books often sell eBooks. Sometimes, authors or publishers offer promotions or free periods for certain books. Authors Website Occasionally, authors provide excerpts or short stories for free on their websites. While this might not be the Takeuchi Tb1140 Hydraulic Excavator Parts Manual Sn 51400005 And Up full book, it can give you a taste of the authors writing style. Subscription Services Platforms like Kindle Unlimited or Scribd offer subscription-based access to a wide range of Takeuchi Tb1140 Hydraulic Excavator Parts Manual Sn 51400005 And Up eBooks, including some popular titles.

FAQs About Takeuchi Tb1140 Hydraulic Excavator Parts Manual Sn 51400005 And Up Books

How do I know which eBook platform is the best for me? Finding the best eBook platform depends on your reading preferences and device compatibility. Research different platforms, read user reviews, and explore their features before making a choice. Are free eBooks of good quality? Yes, many reputable platforms offer high-quality free eBooks, including classics and public domain works. However, make sure to verify the source to ensure the eBook credibility. Can I read eBooks without an eReader? Absolutely! Most eBook platforms offer webbased readers or mobile apps that allow you to read eBooks on your computer, tablet, or smartphone. How do I avoid digital eye strain while reading eBooks? To prevent digital eye strain, take regular breaks, adjust the font size and background color, and ensure proper lighting while reading eBooks. What the advantage of interactive eBooks? Interactive eBooks incorporate multimedia elements, quizzes, and activities, enhancing the reader engagement and providing a more immersive learning experience. Takeuchi Tb1140 Hydraulic Excavator Parts Manual Sn 51400005 And Up is one of the best book in our library for free trial. We provide copy of Takeuchi Tb1140 Hydraulic Excavator Parts Manual Sn 51400005 And Up in digital format, so the resources that you find are reliable. There are also many Ebooks of related with Takeuchi Tb1140 Hydraulic Excavator Parts Manual Sn 51400005 And Up. Where to download Takeuchi Tb1140 Hydraulic Excavator Parts Manual Sn 51400005 And Up online for free? Are you looking for Takeuchi Tb1140 Hydraulic Excavator Parts Manual Sn 51400005 And Up PDF? This is definitely going to save you time and cash in something you should think about. If you trying to find then search around for online. Without a doubt there are numerous these available and many of them have the freedom. However without doubt you receive whatever you

purchase. An alternate way to get ideas is always to check another Takeuchi Tb1140 Hydraulic Excavator Parts Manual Sn 51400005 And Up. This method for see exactly what may be included and adopt these ideas to your book. This site will almost certainly help you save time and effort, money and stress. If you are looking for free books then you really should consider finding to assist you try this. Several of Takeuchi Tb1140 Hydraulic Excavator Parts Manual Sn 51400005 And Up are for sale to free while some are payable. If you arent sure if the books you would like to download works with for usage along with your computer, it is possible to download free trials. The free guides make it easy for someone to free access online library for download books to your device. You can get free download on free trial for lots of books categories. Our library is the biggest of these that have literally hundreds of thousands of different products categories represented. You will also see that there are specific sites catered to different product types or categories, brands or niches related with Takeuchi Tb1140 Hydraulic Excavator Parts Manual Sn 51400005 And Up. So depending on what exactly you are searching, you will be able to choose e books to suit your own need. Need to access completely for Campbell Biology Seventh Edition book? Access Ebook without any digging. And by having access to our ebook online or by storing it on your computer, you have convenient answers with Takeuchi Tb1140 Hydraulic Excavator Parts Manual Sn 51400005 And Up To get started finding Takeuchi Tb1140 Hydraulic Excavator Parts Manual Sn 51400005 And Up, you are right to find our website which has a comprehensive collection of books online. Our library is the biggest of these that have literally hundreds of thousands of different products represented. You will also see that there are specific sites catered to different categories or niches related with Takeuchi Tb1140 Hydraulic Excavator Parts Manual Sn 51400005 And Up So depending on what exactly you are searching, you will be able tochoose ebook to suit your own need. Thank you for reading Takeuchi Tb1140 Hydraulic Excavator Parts Manual Sn 51400005 And Up. Maybe you have knowledge that, people have search numerous times for their favorite readings like this Takeuchi Tb1140 Hydraulic Excavator Parts Manual Sn 51400005 And Up, but end up in harmful downloads. Rather than reading a good book with a cup of coffee in the afternoon, instead they juggled with some harmful bugs inside their laptop. Takeuchi Tb1140 Hydraulic Excavator Parts Manual Sn 51400005 And Up is available in our book collection an online access to it is set as public so you can download it instantly. Our digital library spans in multiple locations, allowing you to get the most less latency time to download any of our books like this one. Merely said, Takeuchi Tb1140 Hydraulic Excavator Parts Manual Sn 51400005 And Up is universally compatible with any devices to read.

Find Takeuchi Tb1140 Hydraulic Excavator Parts Manual Sn 51400005 And Up :

instructors resource manual and essentials of psychology

key of knowledge the key trilogy 2

2004 bmw x5 manual transmission

audi a6 manual gearbox problems

campbell hausfeld 1750 psi electric pressure washer manual

nature spirit ybd50 90c user guide

bmw abs trouble codes

2004 bmw x3 service schedule

section 3 1 the rock cycle answer

2014 regional convention

~~1999-2000 bombardier traxter atv repair manual~~

~~the marriage mirage~~

advanced provider itls study guide answers

bmw activehybrid 3 manual transmission

2009 audi tt bulb socket manual

Takeuchi Tb1140 Hydraulic Excavator Parts Manual Sn 51400005 And Up :

A T200A AT200A. FEATURES. OPTIONS. NEW EQUIPMENT SALES | 800.958.2555 | SALES@ALTEC.COM ... REACH DIAGRAM. • Non-Insulating Aerial Device. • All Steel Telescopic Boom ... We have an Altec 200 boom truck and are in need of the Oct 15, 2017 — We have an Altec 200 boom truck and are in need of the wiring diagram. The serial number is 1 GDJC34KOME519806. AT200A Designed for telecommunications and lighting and sign maintenance applications, this non-insulating aerial device offers easy ground platform access for ... Altec AT200A Specification and Load Charts Crane Specification search result for manufacturer: Altec and model: AT200A. Altec AT200A Non-Insulated Aerial Device. • All Steel Boom Construction. • Hydraulically Extended Boom. • Non-continuous 3707 Rotation. • Engine Start/Stop at Upper and ... AT200A Cutaway Van - Telescopic Aerial Device Two-Stage Telescopic Non-Insulating Aerial Device; Hydraulically Extended Inner Boom; Open Center Hydraulic System Powered by an Engine Belt Driven Pump; Single ... 16+ Altec Bucket Truck Wiring Diagram Sep 3, 2021 — 77 Awesome 2002 Chevy Silverado Tail Light Wiring Diagram- varying or installing a fresh fixture can be as simple and secure as changing a bulb ... Looking manual at200a in including electrical systems Jan 6, 2016 — Looking for repair manual for altec at200a in including electrical systems - Answered by a verified Mechanic. Technical Information Altec Service Tool Installation Guide. SIL 698 Work Instructions. JEMS 4-6 Battery Replacement · JEMS 4-6 Sense String Replacement · JEMS 4 Wire Relocation ... Action Has No Season: Strategies... by Roberts, J.D. ... This is a must read for leaders and entrepreneurs; an amazing book of proverbs for decision-making. Taking "action" is the central theme, but the book ... Action Has No Season 2.0: How the Actionaire Develops ... Dr. Roberts reveals how the Actionaire lays the

foundation of their future vision by setting goals, having the courage to take risks, and by showing others ... Action Has No Season by Michael V. Roberts J. D., ... This is a must read for leaders and entrepreneurs; an amazing book of proverbs for decision-making. Taking 'action' is the central theme, but the book. Action Has No Season 2.0 Oct 6, 2019 — Widely acclaimed as one of America's leading and most influential businessmen, Dr. Michael V. Roberts, Sr. returns with his innovative ... Action Has No Season - J. D. Michael V. Roberts This is a must read for leaders and entrepreneurs; an amazing book of proverbs for decision-making. Taking "action" is the central theme, ... Action Has No Season book by Michael V. Roberts Buy a cheap copy of Action Has No Season book by Michael V. Roberts. This is a must read for leaders and entrepreneurs; an amazing book of proverbs for ... Action Has No Season: Strategies and Secrets to Gaining ... This is a must read for leaders and entrepreneurs; an amazing book of proverbs for decision-making. Taking 'action' is the central theme, but the book. Action Has No Season 2.0: How the Actionaire Develops ... Oct 7, 2019 — With Action Has No Season 2.0, Dr. Roberts explains how to develop the infinite possibilities that define your personal life and business and ... Excerpt from "Action has no season" by Michael V. Roberts ... On the surface of the corporate world, everyone must peacefully, coexist with each other; therefore, everything must appear conventional, politically correct, ... Delores Talley Roberts - Action Has No Season Action Has No Season. 506 likes. Widely acclaimed as one of America's leading and most influential businessmen, Dr. Michael V. Robe. Exam P (Probability) Study Guide - ACTEX Learning Wondering how to study for Exam P? Practice efficiently with our robust database of questions and solutions and be prepared for the actuarial probability exam. Study Manuals ACTEX Interactive Study Manual for Exam P with Instructional Videos | 1st Edition ... Broverman Study Guide for SOA Exam FM/CAS Exam 2 | 2024. Broverman ... SOA Exam P Study Manual This study guide is designed to help in the preparation for the Society of Actuaries Exam P. The study manual is divided into two main parts. The first part ... ACTEX Interactive Study Manual for Exam P with ... The Exam P study guide will allow you to: Review 660 pages of comprehensive, exam-focused information with full syllabus coverage; Refine your understanding ... Browse Products ACTEX DVDs · ASM Study Manuals · Ostaszewski Study Manuals · SOA Textbooks · Live Chat · Actex Website Feedback. Actuarial Exams with ACTEX Study Materials ... Exam P study materials : r/actuary Exam P study materials. Exams. Hey everyone,. I'm in college and poor ... study manuals (Actex and ASM) through them. Passed both P and FM ... Study Manuals ACTEX Study Manual for SOA Exam PA | 10th Edition. Lo | ACTEX Availability: In-Stock | Printed ETA 12/18/23. ISBNs: See Below Samples: View Sample. Best Study Manual for Exam P (2023) The most popular study guides for Exam P are the Actuary Accelerator Community, ASM, ACTEX, TIA, and Coaching Actuaries. Any of these resources will teach ... Untitled Actuarial Exams with ACTEX Study Materials since 1972. Search Terms: 1P-ASM-SMP. Study Manuals. ASM Study Manual Program for Exam P | 5th Edition. Weishaus ...