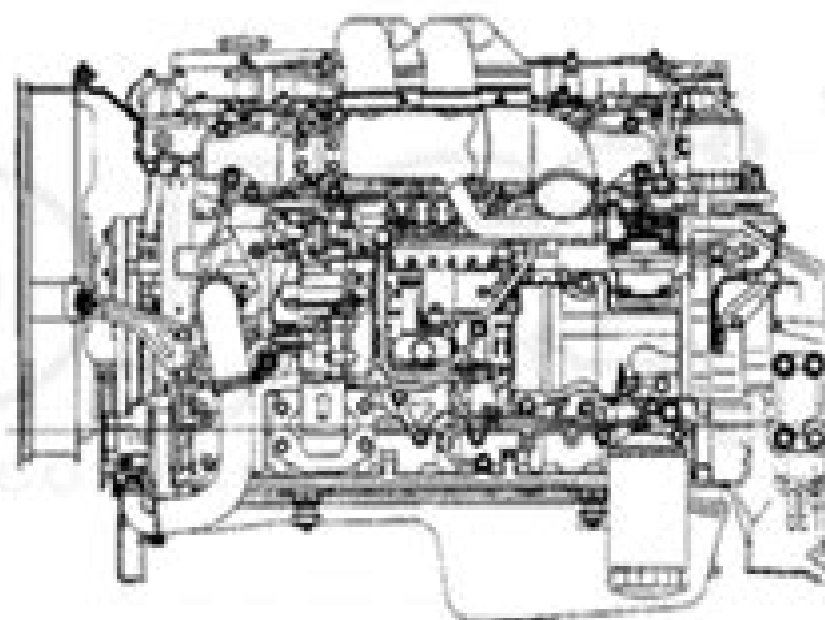
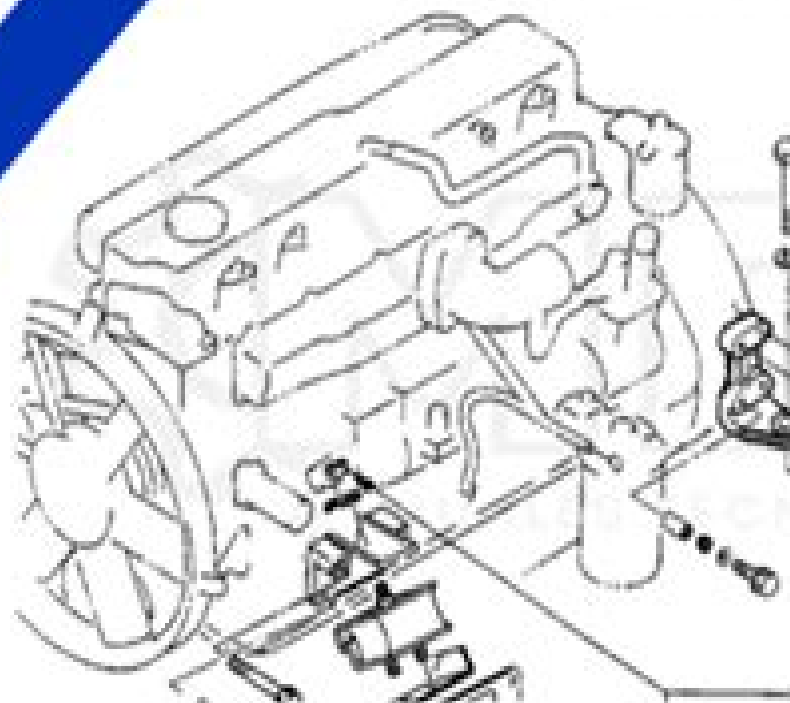


Repair and Service

ISUZU

6HH1



Diesel L6 / Direct Injection / 8,226 cm³ / 2 Valve / OHC



Diesel Engine 6hh1 Manual Repairing

Paul Dempsey



Diesel Engine 6hh1 Manual Repairing:

Diesel Engine and Fuel System Repair John F. Dagel, Robert N. Brady, 1998 One of the only texts of its kind to devote chapters to the intricacies of electrical equipment in diesel engine and fuel system repair this cutting edge manual incorporates the latest in diesel engine technology giving students a solid introduction to the technology operation and overhaul of heavy duty diesel engines and their respective fuel and electronics systems [AC Maintenance & Repair Manual for Diesel Engines](#) Jean Luc Pallas, 2013-08-22 The aim of this book with its detailed step by step colour photographs and diagrams is to enable every owner to fix their diesel engine with ease Troubleshooting tables help diagnose potential problems and there is advice on regular maintenance and winterising and repair Jean Luc Pallas's enthusiasm for passing on his knowledge as well as his clear explanations precise advice and step by step instructions make this a unique book

Diesel Engine Repair Manual Ken Freund, John Harold Haynes, 1991 Chest pain can be terrifying Many people panic or hope that if they ignore it it will go away But angina must be taken seriously and in addition to taking medical advice it is important to find out what you can do about it and what you can do to help yourself reduce the risk of a heart attack This book answers key questions for anyone worried about angina What is it and why is it happening Does it mean I'm going to have a heart attack What should I do when I have chest pain How do I tell if it's serious Living with Angina is also packed with useful advice about what you can do to deal with high cholesterol or high blood pressure develop a sensible exercise program and make crucial lifestyle changes that will help you live life to the full BOOK JACKET Title Summary field provided by Blackwell North America Inc All Rights Reserved **Diesel Engine Maintenance Training Manual** Bureau of Ships, 2015-01-15 Very complete and comprehensive manual for the service and repair of all large Marine Diesel Engines Reprint of the original book from 1946 *1.5 + 1.8 Litre Diesel Engines* BMC (Leyland), 2013-09-15 Dieses Buch umfasst sowohl ein anwenderfreundliches Handbuch als auch einen Leitfaden zur Wartung und Reparatur der im Titel genannten gängigen Diesel Schiffsmotoren Es handelt sich hierbei um eine englischsprachige Ausgabe **Repair Manual for the Diesel Engine 4 VD 14,5**, 1984 **Crown's Diesel Repair Manual** Morton J. Schultz, 1984 Practical manual on diesel engines covers general troubleshooting repair maintenance **Ford Diesel Engine** Matthew Minter, Chris Rogers, 1996 Diesel turbo Diesel engines used in the following applications Should be used in conjunction with the appropriate Haynes Manual Fiesta 1989 to 1995 1595 Escort 1980 to 1990 0686 Does not cover applications to Sierra or P100 Diesel 1.6 litre 1608cc 1.8 litre 1753cc [Diesel Engine 6\[six\] VD 13,5\[thirteen Five\]/12 SRF](#), 1987 **Haynes Techbook Cummins Diesel Engine Manual** Editors of Haynes Manuals, 2020-02-25 The mysteries of the versatile LS series engines are unlocked in the Haynes Techbook Cummins Diesel Engine Manual Covering everything from engine overhaul cylinder head selection and modification induction and fuel systems camshafts and valve train to beefing up the bottom end turbo and supercharger add ons engine swaps and extreme builds this manual will help you get the most from your LS powered vehicle

Comprehensive Guide To Repair And Troubleshoot Diesel Engines Corbin T Hayes,2024-08-21 Comprehensive Guide To Repair And Troubleshoot Diesel Engines A Practical Handbook For Mastering Diesel Engine Maintenance Diagnosis And Advanced Repair Techniques Unlock the secrets to mastering diesel engine maintenance with the Comprehensive Guide to Repair and Troubleshoot Diesel Engines This essential resource is tailored for newcomers students and professionals alike offering an in depth exploration of diesel engine technology from fundamental principles to advanced repair techniques Dive into detailed chapters covering the history and evolution of diesel engines common engine problems and the latest innovations in engine technology Practical case studies provide real world insights into diagnosing complex issues while step by step instructions ensure that even the most challenging repairs can be tackled with confidence With a focus on modern advancements such as electronic control systems emission controls alternative fuels and hybrid technologies this guide prepares you for the future of diesel engine repair Written with simple and clear explanation this guide is your go to manual for keeping diesel engines running smoothly and efficiently Whether you re a seasoned mechanic or just starting your journey in diesel engine repair this book equips you with the knowledge and skills needed to excel in the field

The David Brown Diesel Engine-Service, Maintenance and Repair Manual David Brown Tractors Ltd, *Diesel Engine Repair* John F. Dagle,1982 *Troubleshooting & Repairing Diesel Engines* Paul Dempsey,1995 Presents instructions for diagnosing and fixing problems with diesel engines used in farm and lawn equipment boats air compressors and generators reviewing the basics of diesels and discussing planned maintenance fuel systems cylinder heads and valves engine mechanics electrical fundamentals and other topics *Troubleshooting and Repairing Diesel Engines, 5th Edition* Paul Dempsey,2018-05-01 This fully updated money saving guide shows step by step how to repair and maintain diesel engines Thoroughly revised to cover the latest advances this resource equips you with the state of the art tools and techniques needed to keep diesel engines running smoothly and in top condition The book offers comprehensive and practical coverage of diesel technology and clearly explains new diesel hydrogen and diesel methane engines Troubleshooting and Repairing Diesel Engines Fifth Edition covers new engine technology electronic engine management biodiesel fuels and emissions controls This new edition contains cutting edge information on recent developments including turbocharging and changes in the composition of conventional fuel You will find out how to successfully carry out repairs and get professional results while saving money Covers a broad range of diesel engine makes and models Features helpful facts specifications and flow charts Written by a master mechanic and bestselling author

Diesel Engine Care and Repair Nigel Calder,2000 **Diesel Engine Operation and Maintenance** Vladimir Leonidas Maleev,1954 *Diesel Engine Care and Repair* Nigel Calder,2007-02-14 When it s sink or swim this Quick Guide will keep you afloat On the water when an engine problem surfaces there is no time to spend searching through an exhaustive manual Diesel Engine Care and Repair provides all the answers fast Drawn from the world s largest boating library it presents 14 color panels of authoritative concise information on diesel engines This on the spot

reference is a convenient accessible and utterly streamlined information resource **Ford Diesel Engine Service & Repair Manual** Matthew Minter,Chris Rogers,1996 *How to Repair Diesel Engines* Paul Dempsey,1990 This new edition explains with the help of working illustrations how to repair diesel engines found in farm and lawn equipment boats cars and trucks air compressors and generators

Unveiling the Magic of Words: A Overview of "**Diesel Engine 6hh1 Manual Repairing**"

In a global defined by information and interconnectivity, the enchanting power of words has acquired unparalleled significance. Their capability to kindle emotions, provoke contemplation, and ignite transformative change is actually awe-inspiring. Enter the realm of "**Diesel Engine 6hh1 Manual Repairing**," a mesmerizing literary masterpiece penned with a distinguished author, guiding readers on a profound journey to unravel the secrets and potential hidden within every word. In this critique, we shall delve in to the book is central themes, examine its distinctive writing style, and assess its profound effect on the souls of its readers.

<https://recruitmentslovakia.sk/public/book-search/fetch.php/Mens%20Monologue%20Alice%20In%20Wonderland.pdf>

Table of Contents Diesel Engine 6hh1 Manual Repairing

1. Understanding the eBook Diesel Engine 6hh1 Manual Repairing
 - The Rise of Digital Reading Diesel Engine 6hh1 Manual Repairing
 - Advantages of eBooks Over Traditional Books
2. Identifying Diesel Engine 6hh1 Manual Repairing
 - Exploring Different Genres
 - Considering Fiction vs. Non-Fiction
 - Determining Your Reading Goals
3. Choosing the Right eBook Platform
 - Popular eBook Platforms
 - Features to Look for in an Diesel Engine 6hh1 Manual Repairing
 - User-Friendly Interface
4. Exploring eBook Recommendations from Diesel Engine 6hh1 Manual Repairing
 - Personalized Recommendations
 - Diesel Engine 6hh1 Manual Repairing User Reviews and Ratings
 - Diesel Engine 6hh1 Manual Repairing and Bestseller Lists

5. Accessing Diesel Engine 6hh1 Manual Repairing Free and Paid eBooks
 - Diesel Engine 6hh1 Manual Repairing Public Domain eBooks
 - Diesel Engine 6hh1 Manual Repairing eBook Subscription Services
 - Diesel Engine 6hh1 Manual Repairing Budget-Friendly Options
6. Navigating Diesel Engine 6hh1 Manual Repairing eBook Formats
 - ePub, PDF, MOBI, and More
 - Diesel Engine 6hh1 Manual Repairing Compatibility with Devices
 - Diesel Engine 6hh1 Manual Repairing Enhanced eBook Features
7. Enhancing Your Reading Experience
 - Adjustable Fonts and Text Sizes of Diesel Engine 6hh1 Manual Repairing
 - Highlighting and Note-Taking Diesel Engine 6hh1 Manual Repairing
 - Interactive Elements Diesel Engine 6hh1 Manual Repairing
8. Staying Engaged with Diesel Engine 6hh1 Manual Repairing
 - Joining Online Reading Communities
 - Participating in Virtual Book Clubs
 - Following Authors and Publishers Diesel Engine 6hh1 Manual Repairing
9. Balancing eBooks and Physical Books Diesel Engine 6hh1 Manual Repairing
 - Benefits of a Digital Library
 - Creating a Diverse Reading Collection Diesel Engine 6hh1 Manual Repairing
10. Overcoming Reading Challenges
 - Dealing with Digital Eye Strain
 - Minimizing Distractions
 - Managing Screen Time
11. Cultivating a Reading Routine Diesel Engine 6hh1 Manual Repairing
 - Setting Reading Goals Diesel Engine 6hh1 Manual Repairing
 - Carving Out Dedicated Reading Time
12. Sourcing Reliable Information of Diesel Engine 6hh1 Manual Repairing
 - Fact-Checking eBook Content of Diesel Engine 6hh1 Manual Repairing
 - Distinguishing Credible Sources
13. Promoting Lifelong Learning

- Utilizing eBooks for Skill Development
 - Exploring Educational eBooks
14. Embracing eBook Trends
- Integration of Multimedia Elements
 - Interactive and Gamified eBooks

Diesel Engine 6hh1 Manual Repairing Introduction

In today's digital age, the availability of Diesel Engine 6hh1 Manual Repairing books and manuals for download has revolutionized the way we access information. Gone are the days of physically flipping through pages and carrying heavy textbooks or manuals. With just a few clicks, we can now access a wealth of knowledge from the comfort of our own homes or on the go. This article will explore the advantages of Diesel Engine 6hh1 Manual Repairing books and manuals for download, along with some popular platforms that offer these resources. One of the significant advantages of Diesel Engine 6hh1 Manual Repairing books and manuals for download is the cost-saving aspect. Traditional books and manuals can be costly, especially if you need to purchase several of them for educational or professional purposes. By accessing Diesel Engine 6hh1 Manual Repairing versions, you eliminate the need to spend money on physical copies. This not only saves you money but also reduces the environmental impact associated with book production and transportation. Furthermore, Diesel Engine 6hh1 Manual Repairing books and manuals for download are incredibly convenient. With just a computer or smartphone and an internet connection, you can access a vast library of resources on any subject imaginable. Whether you're a student looking for textbooks, a professional seeking industry-specific manuals, or someone interested in self-improvement, these digital resources provide an efficient and accessible means of acquiring knowledge. Moreover, PDF books and manuals offer a range of benefits compared to other digital formats. PDF files are designed to retain their formatting regardless of the device used to open them. This ensures that the content appears exactly as intended by the author, with no loss of formatting or missing graphics. Additionally, PDF files can be easily annotated, bookmarked, and searched for specific terms, making them highly practical for studying or referencing. When it comes to accessing Diesel Engine 6hh1 Manual Repairing books and manuals, several platforms offer an extensive collection of resources. One such platform is Project Gutenberg, a nonprofit organization that provides over 60,000 free eBooks. These books are primarily in the public domain, meaning they can be freely distributed and downloaded. Project Gutenberg offers a wide range of classic literature, making it an excellent resource for literature enthusiasts. Another popular platform for Diesel Engine 6hh1 Manual Repairing books and manuals is Open Library. Open Library is an initiative of the Internet Archive, a non-profit organization dedicated to digitizing cultural artifacts and making them accessible to the public. Open Library hosts millions of books, including both public domain works

and contemporary titles. It also allows users to borrow digital copies of certain books for a limited period, similar to a library lending system. Additionally, many universities and educational institutions have their own digital libraries that provide free access to PDF books and manuals. These libraries often offer academic texts, research papers, and technical manuals, making them invaluable resources for students and researchers. Some notable examples include MIT OpenCourseWare, which offers free access to course materials from the Massachusetts Institute of Technology, and the Digital Public Library of America, which provides a vast collection of digitized books and historical documents. In conclusion, Diesel Engine 6hh1 Manual Repairing books and manuals for download have transformed the way we access information. They provide a cost-effective and convenient means of acquiring knowledge, offering the ability to access a vast library of resources at our fingertips. With platforms like Project Gutenberg, Open Library, and various digital libraries offered by educational institutions, we have access to an ever-expanding collection of books and manuals. Whether for educational, professional, or personal purposes, these digital resources serve as valuable tools for continuous learning and self-improvement. So why not take advantage of the vast world of Diesel Engine 6hh1 Manual Repairing books and manuals for download and embark on your journey of knowledge?

FAQs About Diesel Engine 6hh1 Manual Repairing Books

What is a Diesel Engine 6hh1 Manual Repairing PDF? A PDF (Portable Document Format) is a file format developed by Adobe that preserves the layout and formatting of a document, regardless of the software, hardware, or operating system used to view or print it. **How do I create a Diesel Engine 6hh1 Manual Repairing PDF?** There are several ways to create a PDF: Use software like Adobe Acrobat, Microsoft Word, or Google Docs, which often have built-in PDF creation tools. Print to PDF: Many applications and operating systems have a "Print to PDF" option that allows you to save a document as a PDF file instead of printing it on paper. Online converters: There are various online tools that can convert different file types to PDF. **How do I edit a Diesel Engine 6hh1 Manual Repairing PDF?** Editing a PDF can be done with software like Adobe Acrobat, which allows direct editing of text, images, and other elements within the PDF. Some free tools, like PDFescape or Smallpdf, also offer basic editing capabilities. **How do I convert a Diesel Engine 6hh1 Manual Repairing PDF to another file format?** There are multiple ways to convert a PDF to another format: Use online converters like Smallpdf, Zamzar, or Adobe Acrobat's export feature to convert PDFs to formats like Word, Excel, JPEG, etc. Software like Adobe Acrobat, Microsoft Word, or other PDF editors may have options to export or save PDFs in different formats. **How do I password-protect a Diesel Engine 6hh1 Manual Repairing PDF?** Most PDF editing software allows you to add password protection. In Adobe Acrobat, for instance, you can go to "File" -> "Properties" -> "Security" to set a password to restrict

access or editing capabilities. Are there any free alternatives to Adobe Acrobat for working with PDFs? Yes, there are many free alternatives for working with PDFs, such as: LibreOffice: Offers PDF editing features. PDFsam: Allows splitting, merging, and editing PDFs. Foxit Reader: Provides basic PDF viewing and editing capabilities. How do I compress a PDF file? You can use online tools like Smallpdf, ILovePDF, or desktop software like Adobe Acrobat to compress PDF files without significant quality loss. Compression reduces the file size, making it easier to share and download. Can I fill out forms in a PDF file? Yes, most PDF viewers/editors like Adobe Acrobat, Preview (on Mac), or various online tools allow you to fill out forms in PDF files by selecting text fields and entering information. Are there any restrictions when working with PDFs? Some PDFs might have restrictions set by their creator, such as password protection, editing restrictions, or print restrictions. Breaking these restrictions might require specific software or tools, which may or may not be legal depending on the circumstances and local laws.

Find Diesel Engine 6hh1 Manual Repairing :

[mens monologue alice in wonderland](#)

memo grade 12 paper 1 life sciences 1083e 2014

~~meiosis grade 12 test and memos 2015~~

memorandum of life science december 2014 for grade 11

[mercury 90 elpt 4s](#)

memorandum of tourism grade 11 ncs pat 2014

~~mentoring minds motivation math answers~~

[memorandum for june exam 2014 maths grade 12 mpumalanga](#)

mercedes a 140 service manual

~~memorandum for april 2011 industrial electronics n4 paper~~

memorandum of sepedi paper 2 2012 september

memorandum for physics grade 10 november 2013 memorandum

~~memorandum of physics final exam for grade 11 2014~~

[memorandum life science p2 grade 10 nov](#)

~~memorandum o mechanotechnics november 2014~~

Diesel Engine 6hh1 Manual Repairing :

kinetic o premier owner s manual - Dec 11 2022

web kinetic o premier owner s manual owner s manual guide d utilisation manual del usuario model product numbers s150 xp 16531 s250 xp 16532 s250 od xp 16533 s350 xp 16534 s550 xp 16535 s650 xp 16536 s650 od xp 16537 q850 xp 16538 q850 od xp with activated carbon 16539 q850 od xp with chloraban 16540

kinetico ro system plus vx gx manual pdfslide net - May 04 2022

web the kinetico drinking water system plus vx gx owner s manual1 congratulations for choosing kinetico to improve the quality of your water you will immediately begin to

kinex user guides kinetico water systems - Aug 19 2023

web kinex quick start guide kinex salt monitor installation guide and owner s manual english kinex salt monitor installation guide and owner s manual spanish kinex salt monitor installation guide and owner s manual french next steps to better water schedule a water test or request a quote schedule water test get a quote

pdf kinetico ro system plus vx gx manual tcpayment org - Apr 03 2022

web kenetico drinking water plus 1 of 6 6 12 2002 the kinetico drinking water system asset vx gx owner s manual 1 congratulation for choosing kinetico to enhances the quality of your water you will immediately initiate to get the plenty benefits of having quality water throughout your home and the gains of having a kinetico feature water system

kinetico ro system plus vx gx manual pdf free pdf manuals - Jun 17 2023

web download now description download kinetico ro system plus vx gx manual pdf for free

kinetico drinking water system plus deluxe owner s manual - Jul 18 2023

web view and download kinetico drinking water system plus deluxe owner s manual online drinking water system plus deluxe water system pdf manual download

drinking water filtration systems kinetico water systems - Nov 10 2022

web aquakinetic a200 drinking water system kinetico s most economical reverse osmosis system the aquakinetic a200 drinking water system improves the taste and purity of drinking water kinetico s drinking water filters and reverse osmosis systems provide your family with fresh contaminant free drinking water right at your tap

[kinetico kinex installation manual and owner s manual](#) - Jul 06 2022

web view and download kinetico kinex installation manual and owner s manual online salt monitor kinex monitor pdf manual download

kinetico ro system plus vx gx manual pdf scribd - Sep 20 2023

web kinetico ro system plus vx gx manual free download as pdf file pdf text file txt or read online for free

kinetico gx manual - Feb 01 2022

web 2 kinetico gx manual 2020 07 16 building services engineer background reference material expanded and updated throughout the book contains sections on the properties of humid air water and steam on heat transfer the flow of fluids in pipes and ducts and fuels and combustion ending with a comprehensive section on units mathematical

owners support kinetico resource center - Oct 09 2022

web owner s support learn more about your kinetico water treatment products once your kinetico water treatment solutions are installed you will have better water quality and you ll eventually notice an improvement in your quality of life

pdf kinetico ro system plus vx gx manual fornix net - Aug 07 2022

web who kinetico drinking water system plus vx gx owner s manual1 congratulations used choosing kinetico to improve which grade of thine water you will immediately getting to the kinetico drunkenness surface system besides vx gx owner s manual1 congratulations for choosing kinetico until enhancements the quality of your water

kinetico drinking water system plus deluxe manuals - Mar 14 2023

web kinetico drinking water system plus deluxe manuals manuals and user guides for kinetico drinking water system plus deluxe we have 1 kinetico drinking water system plus deluxe manual available for free pdf download owner s manual

kinetico ro system plus vx gx manual tmtlk com - Sep 08 2022

web text of kinetico ro netz plus vx gx manual page 1 kenetico drinking water advantage 1 of 6 6 12 2002 the kinetico drinking water system plus vx gx owner s manual1 congratulations for choosing kinetico to improve aforementioned quality of your water

kinetico user manuals download manualslib - Feb 13 2023

web view download of more than 262 kinetico pdf user manuals service manuals operating guides water dispenser water filtration systems user manuals operating guides specifications

kinetico drinking water system plus deluxe owner s manual - Jan 12 2023

web view online 56 pages or download pdf 1 mb kinetico drinking water system plus deluxe owner s manual drinking water system plus deluxe sanitary ware pdf manual download and more kinetico online manuals

15066 kinetico signature series owners manual - Apr 15 2023

web note kinetico s warranty doesn t cover damage to your system due to freezing if you have questions about your kinetico water system or if you suspect that it isn t working properly contact your local authorized kinetico dealer sanitizing the system signature water softeners are intended for use on microbiologically safe water supplies

kinetico gx vxplusdeluxepds pdf arsenic chemical - May 16 2023

web of 22 performance data sheet kinetico drinking water system plus deluxe models vx gx f performance data sheet kinetico

drinking water system plus deluxe models kinetico drinking water system plus deluxe gx and vx models are tested and certified to nsf ansi standard 42 for the reduction of

kinetico ro system plus vx gx manual dailyhillary com - Mar 02 2022

web kenetico drinking water plus 1 of 6 6 12 2002 the kinetico drinking water organization plus vx gx owner s manual 1 congratulations for choosing kinetico to improve the quality of thy water to intention immediately begin to notice the various benefits concerning having quality water across your home and the benefits of having a kinetico

kinetico water systems - Jun 05 2022

web access owner s manuals maintenance schedules warranty dates and details from your phone connect directly with your authorized independent kinetico dealer download kinetico app all new resource center visit the all

introduction to international health and safety at work the - Aug 28 2022

web nov 17 2021 according to international occupational hygiene association ioaha safety and health could also be defined as the scientific approach of recognition evaluation

introduction to occupational health and safety - Jul 27 2022

web jan 1 1996 introduction to occupational health and safety your body at work controlling hazards chemicals in the workplace noise at work legislation and

introduction to health and safety at work - Mar 23 2022

web dec 30 2011 introduction to health and safety at work 5 th edition covers the basics of occupational safety and health the book is the definitive handbook to the national

international health and safety nebosh - Sep 09 2023

web nternational health and safety 3 contents introduction 5 element 1 why we should manage workplace health and safety 7 1 1 morals and money 7 1 2 the force of law

[call for experts world health organization who](#) - Aug 16 2021

[introduction to international health and safety at work](#) - Oct 10 2023

web aug 24 2010 introduction to health and safety at work is the definitive handbook to the national general certificate in occupational health and safety from nebosh with

introduction to health and safety at work phil hughes ed - Nov 18 2021

web sep 28 2023 in february 2023 14 3 million of the 15 7 million people estimated to be enrolled in health insurance through aca marketplaces received subsidies that lower

policy basics where do our federal tax dollars go - Sep 16 2021

[e books introduction to international health and safety](#) - Jul 07 2023

web aug 24 2010 introduction to health and safety at work is the definitive handbook to the national general certificate in occupational health and safety from nebosh with

introduction to international health and safety at work - Oct 30 2022

web oct 13 2010 introduction to health and safety at work is the definitive handbook to the national general certificate in occupational health and safety from nebosh with

fact sheet president biden issues executive order on safe - Oct 18 2021

web nov 9 2023 serial number 2023 november 133 issued on 11 november 2023 deadline 1 december 2023 the world health organization who is seeking experts to serve as

an introduction to health and safety pdf slideshare - Dec 20 2021

web oct 30 2023 develop principles and best practices to mitigate the harms and maximize the benefits of ai for workers by addressing job displacement labor standards workplace

fundamental principles of safety international - Nov 30 2022

web 0415519802 9780415519809 length 197 pages export citation bibtex endnote refman this guide has been designed to be used together with the nebosh

[international health and safety at work revision guide](#) - Sep 28 2022

web goal of the module this module provides trainees with general background information on occupational health and safety and on the magnitude and variety of health and safety

introduction to international health and safety at work - May 05 2023

web respond to public health threats constitute a key driver to strengthen global public health security duration 1 hour

international health regulations leg this module

introduction to health and safety competence iosh com - Apr 23 2022

web introduction to health and safety at work has been developed for the nebosh national general certificate in occupational safety and health each element of the syllabus has

introduction to health and safety at work phil hughes ed ferrett - Jan 21 2022

web sep 11 2007 as an introduction to all areas of occupational safety and health the book is also a practical reference for managers and directors with health and safety

introduction to international health and safety at work the - Aug 08 2023

web introduction to international health and safety at work the handbook for the nebosh international general certificate this text has been written for the fast growing nebosh

[health security and the international health regulations 2005](#) - Apr 04 2023

web introduction to health and safety at work is the definitive handbook to the national general certificate in occupational health and safety from nebossh with each element

introduction to international health and safety at work - Jun 06 2023

web introduction to international health and safety at work has been specially written in simple english for the thousands of students who complete the nebossh international

[your health and safety at work series international labour](#) - May 25 2022

web dec 22 2020 abstract introduction to health and safety at work covers the fundamentals of occupational safety and closely follows the nebossh national general

[introduction to safety and health springerlink](#) - Jun 25 2022

web this free introduction to health and safety competence understand is part of a series from iossh aimed at workers supervisors and managers including senior managers and

[introduction to international health and safety at work google](#) - Feb 02 2023

web occupational safety and health osh is generally defined as the science of the anticipation recognition evaluation and control of hazards arising in or from the

introduction to health and safety at work google books - Feb 19 2022

web may 30 2012 five steps to risk assessment health and safety law poster indg163 rev2 encapsulated did you know employers free available in packs of 10 isbn 0 7176

safety and health at work international labour - Mar 03 2023

web good health and safety practices are everyone s responsibility national legislation will dictate how your health and safety policies are implemented however as a guide

health and safety introduction to general principles - Jan 01 2023

web introduction to international health and safety at work introduction to international health and safety at work □□□□□□□□
□□□□□ □□□□□ □□□□ □□□□□□□□

[quiz middle ages timeline ducksters](#) - Feb 14 2023

web for webquest or practice print a copy of this quiz at the middle ages timeline webquest print page about this quiz all the questions on this quiz are based on information that can be found on the page at middle ages timeline kids take a quiz or webquest on middle ages timeline practice problems online test and history questions for

jeopardy questions for kids 50 jeopardy questions osmo - Jun 18 2023

web all you need to get started is a list of jeopardy questions for kids trivia games which involve asking questions for kids are

a great way to test a child s general knowledge additionally it s a great way to kill time when the kids

welcome to the middle ages overviews ppt - Sep 09 2022

web welcome to the middle ages overviews free presentations in powerpoint format middle ages presentations at mr donn the medieval period 1066 1485 the middle ages aka the medieval times or dark ages the middle ages 476 to about 1450 middle ages 500 1500

[middle ages jeopardy jeopardy template](#) - Oct 10 2022

web what is the middle ages the years between ancient and modern times is called 200 what is an apprentice in order to learn a craft a boy became a 200 what is to reopen the holy land to christian pilgrims one reason crusaders fought was to do what 200 what is the hundred year s war

middle ages review game jeopardy template - Dec 12 2022

web a majority if of the population during the middle ages was what class of people serfs or peasants 500 the built the first castles after the invasion of 1056 normans 500 a period of time in europe that lasted from 500 to 1500 middle ages 500 what is the pope

middle school jeopardy trivia jeopardy template - Jul 07 2022

web middle school jeopardy trivia no teams 1 team 2 teams 3 teams 4 teams 5 teams 6 teams 7 teams 8 teams 9 teams 10 teams custom press f11 select menu option view enter fullscreen for full screen mode

jeopardy style questions for kids lovetoknow - Jun 06 2022

web jul 18 2018 trivia is fun for all ages but those ages 7 to 10 especially love it in the form of a competition creating a jeopardy inspired game for the classroom youth group scout meetings or family game night is easy when you use

middle ages jeopardy factile jeopardy - May 17 2023

web self paced jeopardy style multiple choice memory tile matching memory board factile lets you create your own jeopardy style classroom game or quiz in minutes you can even choose from millions of pre made games play middle ages jeopardy and have fun times with playfactile

the middle ages jeopardy template - Oct 22 2023

web feudalism began in europe when the central government became weak during the fall of this empire what was the most important force in western europe that provided unity and stability during the middle ages during the middle ages these were created to establish a standard size and price for goods and services type of architecture that used stained

[find jeopardy games about middle school](#) - Aug 08 2022

web nov 9 2023 find jeopardy games about middle school middle school jeopardy games clear tips results 10000 matching games j 70 are you ready for high school 75 questions middle school science middle school history blank high school beyond

1 similar game play edit print 2023 11 09 middle school trivia

middle ages jeopardy jeopardy template - Jul 19 2023

web middle ages jeopardy no teams 1 team 2 teams 3 teams 4 teams 5 teams 6 teams 7 teams 8 teams 9 teams 10 teams

custom press f11 select menu option view enter fullscreen for full screen mode

250 best jeopardy questions for your kids 2024 - Sep 21 2023

web exploring the world of jeopardy can be a fun and educational experience for kids with this collection of 250 jeopardy questions tailored for them children can enhance their knowledge critical thinking skills and have a blast in the process

the middle ages jeopardy template - Apr 16 2023

web what was considered the middle ages 500 1450 100 who taught the children monks and nuns 100 who was saint francis hoped to inspire others for poorer children 100 why did they send their children to catholic school they didnt want to be

scolded by jesus 300 what did the children do on a daily basis they would sing laugh and

middle ages jeopardy interactive powerpoint game - Mar 15 2023

web middle ages jeopardy interactive powerpoint game by pam moeai tpt 5 0 3 ratings 1 358 downloads grade levels 5th 9th

homeschool subjects social studies history middle ages resource type powerpoint presentations games formats included ppt

pages 53 pages free pam moeai 1 3k followers follow description reviews 3 q a

fun kids jeopardy jeopardy template - Mar 03 2022

web fun kids jeopardy no teams 1 team 2 teams 3 teams 4 teams 5 teams 6 teams 7 teams 8 teams 9 teams 10 teams custom

press f11 select menu option view enter fullscreen for full screen mode

middle ages jeopardy template - Aug 20 2023

web middle ages no teams 1 team 2 teams 3 teams 4 teams 5 teams 6 teams 7 teams 8 teams 9 teams 10 teams custom press

f11 select menu option view enter fullscreen for full screen mode

100 jeopardy questions competition with answer for kids - May 05 2022

web the jeopardy questions for kids are full of encouraging questions for kids ages 7 to 12 but older kids and adults will also be entertained as well the 100 q jeopardy questions for kids contain fun trivia questions about questions from the planet

find jeopardy games about kids - Nov 11 2022

web nov 16 2023 kids jeopardy games clear search tips results 10000 matching games jeopardy 50 questions kids movies

kids trivia kids toys kids misc kids science play edit print 2023 11 16 25 questions art for kids science for kids math for kids

social studies for kids disney jr play edit print 2023 11 10

middle ages kids britannica kids homework help - Jan 13 2023

web introduction the middle ages was the period in european history that came between ancient and modern times it lasted

from about 500 to about 1500 ce the christian church played an important part in the history of the middle ages early middle ages

[105 jeopardy questions for kids with answers twinfluence](#) - Apr 04 2022

web dec 31 2022 easy jeopardy questions for kids these questions are perfect for young jeopardy fans as they re easy but will still test their knowledge check out an easy list of jeopardy questions for kids 1 what fruit do kids traditionally give to teachers answer an apple 2 what s the response to see you later alligator