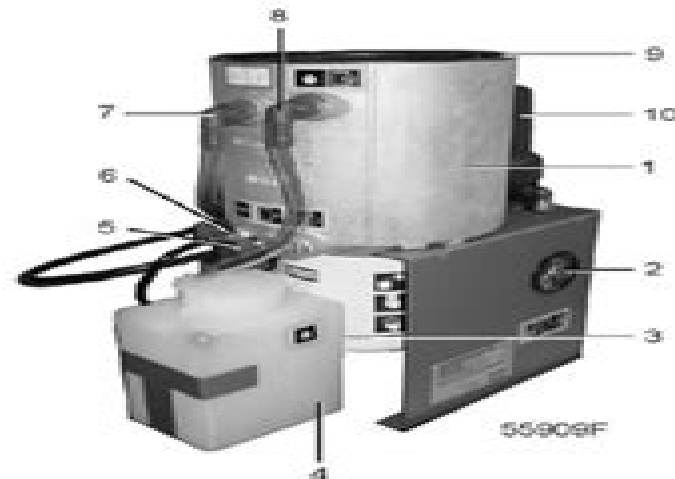


4 OSD oil/condensate separator (optional)

4.1 OSD unit

Oil-condensate separators

Compressed air leaving oil-injected compressors contains oil. During cooling of this air, oil-containing condensate is formed. OSD are designed to separate the major part of this oil from the condensate and to catch the oil in a collector. The condensate meets the requirements of the environmental codes.



General view of OSD 90, typical example

Reference	Designation
1	Vessel
2	Pressure gauge, filter
3	Oil filter
4	Oil collector
5	Condensate inlet
6	Dip of filter
7	Clean condensate outlet
8	Oil outlet
9	Cover
10	Pre-filter

Atlas Copco Ga 75 Maintenance Manual

Emilie Sanchez



Atlas Copco Ga 75 Maintenance Manual:

Monthly Catalogue, United States Public Documents ,1990-05 *Monthly Catalog of United States Government Publications* ,1990 **August 2023 - Surplus Record Machinery & Equipment Directory** Tom Scanlan, SURPLUS RECORD is the leading independent business directory of new and used capital equipment machine tools machinery and industrial equipment listing over 110 000 industrial assets since 1924 including metalworking and fabricating machine tools lathes cnc equipment machine centers woodworking equipment food equipment chemical and process equipment cranes air compressors pumps motors circuit breakers generators transformers turbines and more Over 1 100 businesses list with the SURPLUS RECORD August 2023 issue Vol 100 No 8 *June 2023 - Surplus Record Machinery & Equipment Directory* Tom Scanlan, SURPLUS RECORD is the leading independent business directory of new and used capital equipment machine tools machinery and industrial equipment listing over 110 000 industrial assets since 1924 including metalworking and fabricating machine tools lathes cnc equipment machine centers woodworking equipment food equipment chemical and process equipment cranes air compressors pumps motors circuit breakers generators transformers turbines and more Over 1 100 businesses list with the SURPLUS RECORD June 2023 issue Vol 100 No 6 *Mergent Industrial Manual* ,2001 **Public Works Manual** ,1998 **Selected Water Resources Abstracts** ,1978-11 **Process Engineering** ,1979 **Thomas Register of American Manufacturers** ,2003 Vols for 1970 71 includes manufacturers catalogs Machinery Lloyd ,1976 **Electrical World** ,1973 PRODUCTS & SERVICES ,2005 **Engineering Digest** ,1987 *Engineering and Mining Journal* ,1978 **2005 Thomas Register** ,2005 **F & S Index of Corporations and Industries** ,1976 **MacRae's Industrial Directory** ,1995 **Thomas Register** ,2004 **Engineering** ,1956 *National Union Catalog* ,1978 Includes entries for maps and atlases

This is likewise one of the factors by obtaining the soft documents of this **Atlas Copco Ga 75 Maintenance Manual** by online. You might not require more time to spend to go to the ebook creation as skillfully as search for them. In some cases, you likewise reach not discover the notice Atlas Copco Ga 75 Maintenance Manual that you are looking for. It will certainly squander the time.

However below, in the same way as you visit this web page, it will be for that reason extremely easy to acquire as with ease as download lead Atlas Copco Ga 75 Maintenance Manual

It will not tolerate many mature as we run by before. You can accomplish it though deed something else at home and even in your workplace. consequently easy! So, are you question? Just exercise just what we give under as skillfully as evaluation **Atlas Copco Ga 75 Maintenance Manual** what you taking into consideration to read!

https://recruitmentslovakia.sk/public/scholarship/Download_PDFS/13%20agricultural%20examination%20report%20for%20junior%20certificate%20in%20lesotho.pdf

Table of Contents Atlas Copco Ga 75 Maintenance Manual

1. Understanding the eBook Atlas Copco Ga 75 Maintenance Manual
 - The Rise of Digital Reading Atlas Copco Ga 75 Maintenance Manual
 - Advantages of eBooks Over Traditional Books
2. Identifying Atlas Copco Ga 75 Maintenance Manual
 - Exploring Different Genres
 - Considering Fiction vs. Non-Fiction
 - Determining Your Reading Goals
3. Choosing the Right eBook Platform
 - Popular eBook Platforms
 - Features to Look for in an Atlas Copco Ga 75 Maintenance Manual
 - User-Friendly Interface

4. Exploring eBook Recommendations from Atlas Copco Ga 75 Maintenance Manual
 - Personalized Recommendations
 - Atlas Copco Ga 75 Maintenance Manual User Reviews and Ratings
 - Atlas Copco Ga 75 Maintenance Manual and Bestseller Lists
5. Accessing Atlas Copco Ga 75 Maintenance Manual Free and Paid eBooks
 - Atlas Copco Ga 75 Maintenance Manual Public Domain eBooks
 - Atlas Copco Ga 75 Maintenance Manual eBook Subscription Services
 - Atlas Copco Ga 75 Maintenance Manual Budget-Friendly Options
6. Navigating Atlas Copco Ga 75 Maintenance Manual eBook Formats
 - ePub, PDF, MOBI, and More
 - Atlas Copco Ga 75 Maintenance Manual Compatibility with Devices
 - Atlas Copco Ga 75 Maintenance Manual Enhanced eBook Features
7. Enhancing Your Reading Experience
 - Adjustable Fonts and Text Sizes of Atlas Copco Ga 75 Maintenance Manual
 - Highlighting and Note-Taking Atlas Copco Ga 75 Maintenance Manual
 - Interactive Elements Atlas Copco Ga 75 Maintenance Manual
8. Staying Engaged with Atlas Copco Ga 75 Maintenance Manual
 - Joining Online Reading Communities
 - Participating in Virtual Book Clubs
 - Following Authors and Publishers Atlas Copco Ga 75 Maintenance Manual
9. Balancing eBooks and Physical Books Atlas Copco Ga 75 Maintenance Manual
 - Benefits of a Digital Library
 - Creating a Diverse Reading Collection Atlas Copco Ga 75 Maintenance Manual
10. Overcoming Reading Challenges
 - Dealing with Digital Eye Strain
 - Minimizing Distractions
 - Managing Screen Time
11. Cultivating a Reading Routine Atlas Copco Ga 75 Maintenance Manual
 - Setting Reading Goals Atlas Copco Ga 75 Maintenance Manual
 - Carving Out Dedicated Reading Time

12. Sourcing Reliable Information of Atlas Copco Ga 75 Maintenance Manual
 - Fact-Checking eBook Content of Atlas Copco Ga 75 Maintenance Manual
 - Distinguishing Credible Sources
13. Promoting Lifelong Learning
 - Utilizing eBooks for Skill Development
 - Exploring Educational eBooks
14. Embracing eBook Trends
 - Integration of Multimedia Elements
 - Interactive and Gamified eBooks

Atlas Copco Ga 75 Maintenance Manual Introduction

In the digital age, access to information has become easier than ever before. The ability to download Atlas Copco Ga 75 Maintenance Manual has revolutionized the way we consume written content. Whether you are a student looking for course material, an avid reader searching for your next favorite book, or a professional seeking research papers, the option to download Atlas Copco Ga 75 Maintenance Manual has opened up a world of possibilities. Downloading Atlas Copco Ga 75 Maintenance Manual provides numerous advantages over physical copies of books and documents. Firstly, it is incredibly convenient. Gone are the days of carrying around heavy textbooks or bulky folders filled with papers. With the click of a button, you can gain immediate access to valuable resources on any device. This convenience allows for efficient studying, researching, and reading on the go. Moreover, the cost-effective nature of downloading Atlas Copco Ga 75 Maintenance Manual has democratized knowledge. Traditional books and academic journals can be expensive, making it difficult for individuals with limited financial resources to access information. By offering free PDF downloads, publishers and authors are enabling a wider audience to benefit from their work. This inclusivity promotes equal opportunities for learning and personal growth. There are numerous websites and platforms where individuals can download Atlas Copco Ga 75 Maintenance Manual. These websites range from academic databases offering research papers and journals to online libraries with an expansive collection of books from various genres. Many authors and publishers also upload their work to specific websites, granting readers access to their content without any charge. These platforms not only provide access to existing literature but also serve as an excellent platform for undiscovered authors to share their work with the world. However, it is essential to be cautious while downloading Atlas Copco Ga 75 Maintenance Manual. Some websites may offer pirated or illegally obtained copies of copyrighted material. Engaging in such activities not only violates copyright laws but also undermines the efforts of authors, publishers, and researchers. To ensure ethical downloading, it is advisable to utilize

reputable websites that prioritize the legal distribution of content. When downloading Atlas Copco Ga 75 Maintenance Manual, users should also consider the potential security risks associated with online platforms. Malicious actors may exploit vulnerabilities in unprotected websites to distribute malware or steal personal information. To protect themselves, individuals should ensure their devices have reliable antivirus software installed and validate the legitimacy of the websites they are downloading from. In conclusion, the ability to download Atlas Copco Ga 75 Maintenance Manual has transformed the way we access information. With the convenience, cost-effectiveness, and accessibility it offers, free PDF downloads have become a popular choice for students, researchers, and book lovers worldwide. However, it is crucial to engage in ethical downloading practices and prioritize personal security when utilizing online platforms. By doing so, individuals can make the most of the vast array of free PDF resources available and embark on a journey of continuous learning and intellectual growth.

FAQs About Atlas Copco Ga 75 Maintenance Manual Books

1. Where can I buy Atlas Copco Ga 75 Maintenance Manual books? Bookstores: Physical bookstores like Barnes & Noble, Waterstones, and independent local stores. Online Retailers: Amazon, Book Depository, and various online bookstores offer a wide range of books in physical and digital formats.
2. What are the different book formats available? Hardcover: Sturdy and durable, usually more expensive. Paperback: Cheaper, lighter, and more portable than hardcovers. E-books: Digital books available for e-readers like Kindle or software like Apple Books, Kindle, and Google Play Books.
3. How do I choose a Atlas Copco Ga 75 Maintenance Manual book to read? Genres: Consider the genre you enjoy (fiction, non-fiction, mystery, sci-fi, etc.). Recommendations: Ask friends, join book clubs, or explore online reviews and recommendations. Author: If you like a particular author, you might enjoy more of their work.
4. How do I take care of Atlas Copco Ga 75 Maintenance Manual books? Storage: Keep them away from direct sunlight and in a dry environment. Handling: Avoid folding pages, use bookmarks, and handle them with clean hands. Cleaning: Gently dust the covers and pages occasionally.
5. Can I borrow books without buying them? Public Libraries: Local libraries offer a wide range of books for borrowing. Book Swaps: Community book exchanges or online platforms where people exchange books.
6. How can I track my reading progress or manage my book collection? Book Tracking Apps: Goodreads, LibraryThing, and Book Catalogue are popular apps for tracking your reading progress and managing book collections. Spreadsheets:

You can create your own spreadsheet to track books read, ratings, and other details.

7. What are Atlas Copco Ga 75 Maintenance Manual audiobooks, and where can I find them? Audiobooks: Audio recordings of books, perfect for listening while commuting or multitasking. Platforms: Audible, LibriVox, and Google Play Books offer a wide selection of audiobooks.
8. How do I support authors or the book industry? Buy Books: Purchase books from authors or independent bookstores. Reviews: Leave reviews on platforms like Goodreads or Amazon. Promotion: Share your favorite books on social media or recommend them to friends.
9. Are there book clubs or reading communities I can join? Local Clubs: Check for local book clubs in libraries or community centers. Online Communities: Platforms like Goodreads have virtual book clubs and discussion groups.
10. Can I read Atlas Copco Ga 75 Maintenance Manual books for free? Public Domain Books: Many classic books are available for free as they're in the public domain. Free E-books: Some websites offer free e-books legally, like Project Gutenberg or Open Library.

Find Atlas Copco Ga 75 Maintenance Manual :

[2013 agricultural examination report for junior certificate in lesotho](#)

[2013 accounting exam pape grade11r pdf](#)

[2013 ap physics c mechanics free response scoring guideline](#)

[2014 grade 10 september geography paper1teacherweb](#)

[2012 toyota camry start wiring diagram](#)

2014 business studies scope grade ten november

[2012 tesccc precalculus unit 8](#)

[2014 2015 ttuc exam results](#)

[2014 abet level 4 natural science question paper for](#)

[2013 grade 10 june economics](#)

2012 ap stats test multiple choice

[2012 ap statistics exam response answer](#)

2013 grade 9 arts and culture memorandum

[2011 moe brunei calendar](#)

[2013 lewenswetenskap vraestel 1 graad 10](#)

Atlas Copco Ga 75 Maintenance Manual :

don t wake the dinosaur by geronimo stilton goodreads - Apr 03 2022

jan 1 2012 478 ratings 19 reviews geronimo stilton s ancient ancestor geronimo stiltonoot is back in another prehistoric adventure it s the night of the big cavemouse idol competition but geronimo stiltonoot isn t there he has a cold and goes to bed early

geronimo stilton editor the rodent gazette scholastic com - Dec 11 2022

geronimo stilton cavemice 12 sea monster surprise by geronimo stilton in the lagoon near old mouse city cavemice have discovered a giant oyster it holds a pearl of megalithic proportions since the mice of the lagoon don t have the tools to fish the oyster out of the water they call on geronimo stiltonoot to help

geronimo stilton cavemice 1 the stone of fire scholastic - Aug 07 2022

geronimo stiltonoot and his cavemouse friend hercule poirat are on the case it s up to them to retrieve the stone from the ferocious tiger khan and his band of fearsome felines isbn 9780545447744 grade class ages popular books raza s bindu by

the stone of fire geronimo stilton cavemice 1 kindle edition - Oct 09 2022

may 14 2013 he is a cavemouse geronimo stilton s ancient ancestor he runs the stone newspaper in the prehistoric village of old mouse city from dealing with dinosaurs to dodging meteorites his life in the stone age is full of adventure the stone

geronimo stilton cavemice 15 book series kindle edition - Jun 17 2023

he runs the stone newspaper in the prehistoric village of old mouse city from dealing with dinosaurs to dodging meteorites his life in the stone age is full of adventure watch your tail geronimo stiltonoot wakes up to a terrible morning

geronimo stilton cavemice series by geronimo stilton goodreads - Sep 20 2023

geronimo stilton cavemice series 17 primary works 17 total works dutch oerknagers french les préhistos spanish prehistorratones italian i preistotopi catalan prehisto rats book 1 the stone of fire by geronimo stilton 4 16 1 337 ratings 78 reviews published 2011 19 editions this new geronimo stilton series spin off is set i

the smelly search geronimo stilton cavemice 13 goodreads - Nov 10 2022

feb 28 2017 for cavemouse geronimo stiltonoot life is one prehistoric problem after another geronimo s the smelly search geronimo stilton cavemice 13 by geronimo stilton goodreads

geronimo stilton wikipedia - Sep 08 2022

december 2020 geronimo stilton is an italian children s chapter book series created by elisabetta dami 1 and written under the pen name of the title character scholastic corporation began publishing the english version of the series in the us in february 2004 in the uk the english books are published by sweet cherry publishing

geronimo stilton wikipedi - May 04 2022

geronimo stilton geronimo stilton ünlü İtalyan çocuk kitapları yazarıdır kitapları İtalya da harry potter dan bile fazla satarak 3 milyon traja ulaşmıştır geronimo stilton serisinin türkiye de sadece 7 kitabı yayınlanmıştır türkiye de yayınlan kitapları ise şunlardır bütün kabahat sütlü kahvenin kont

the stone of fire geronimo stilton cavemice 1 goodreads - Mar 02 2022

jan 1 2011 he is a cavemouse geronimo stilton s ancient ancestor he runs the stone newspaper in the prehistoric village of old mouse city from dealing with dinosaurs to dodging meteorites his life in the stone age is full of adventure

cavemice geronimo stilton - May 16 2023

cavemice 6 don t wake the dinosaur cavemice 5 the great mouse race cavemice 4 the fast and the frozen cavemice 3 help i m in hot lava cavemice 2 watch your tail cavemice 1 the stone of fire

i m a scaredy mouse geronimo stilton cavemice 7 - Jan 12 2023

feb 24 2015 follow the author geronimo stilton i m a scaredy mouse geronimo stilton cavemice 7 paperback illustrated

february 24 2015 by geronimo stilton author 111 ratings book 7 of 15 geronimo stilton cavemice see all formats and editions

the stone of fire geronimo stilton cavemice 1 amazon com - Mar 14 2023

jan 1 2013 he is a cavemouse geronimo stilton s ancient ancestor he runs the stone newspaper in the prehistoric village of old mouse city from dealing with dinosaurs to dodging meteorites his life in the stone age is full of adventure the stone

geronimo stilton cavemice series in order by geronimo stilton fictiondb - Jul 06 2022

series list geronimo stilton cavemice 15 books by geronimo stilton a sortable list in reading order and chronological order with publication date genre and rating

the great mouse race geronimo stilton cavemice 5 google play - Jun 05 2022

the great mouse race geronimo stilton cavemice 5 ebook written by geronimo stilton read this book using google play books app on your pc android ios devices download for offline reading highlight bookmark or take notes while you read the great mouse race geronimo stilton cavemice 5

geronimo stilton cavemice books geronimo stilton free - Aug 19 2023

jul 16 2021 good books addeddate 2021 07 16 03 30 29 identifier 13 the smelly search geronimo stilton identifier ark ark 13960 t8wb7484b ocr tesseract 5 0 0 alpha 20201231 10 g1236

a mammoth mystery geronimo stilton cavemice 15 volume - Apr 15 2023

a mammoth mystery geronimo stilton cavemice 15 volume 15 geronimo stilton amazon com tr kitap

watch your tail geronimo stilton cavemice 2 goodreads - Feb 13 2023

jan 1 2011 4 19 740 ratings38 reviews geronimo stilton meets the stone age in this new spin off series geronimo stilton s ancient ancestor geronimo stiltonoot stars in the cavemice series geronimo stiltonoot wakes up to a terrible morning meteors

are falling from the sky and it seems like everyone in old mouse city has an awful stomachache
[cavemice geronimo stilton](#) - Jul 18 2023

cavemice 15 a mammoth mystery cavemice 14 shoo caveflies cavemice 13 the smelly search cavemice 12 paws off the pearl
cavemice 11 sea monster surprise cavemice 10 my autosaurus will win cavemice 9 get the scoop geronimo cavemice 8
surfing for secrets cavemice 7 i m a scaredy mouse cavemice 6 don t wake the
[the stone of fire geronimo stilton cavemice 1 google books](#) - Feb 01 2022

may 14 2013 he is a cavemouse geronimo stilton s ancient ancestor he runs the stone newspaper in the prehistoric village of
old mouse city from dealing with dinosaurs to dodging meteorites his life
disconnected kids the groundbreaking brain balance program - Dec 28 2022

web disconnected kids the groundbreaking brain balance program for children with autism adhd dyslexia and other
neurological disorders by robert melillo isbn 10 039953475x isbn 13 9780399534751 perigee books 2009 hardcover
pdf download read disconnected kids the groundbreaking brain balance - Mar 31 2023

web dec 9 2020 disconnected kids the groundbreaking brain balance program for children with autism adhd dyslexia and
other neurological disorders the disconnected kids series download free of book in format pdf book readonline ebook pdf
kindle epub

disconnected kids the groundbreaking brain balance program - Oct 06 2023

web mar 3 2015 dr robert melillo the creator of brain balance program is an internationally known chiropractic neurologist
professor researcher and expert in childhood neurological disorders he has been in private practice since 1985 and opened
his first brain balance center on long island new york in 1998 there are now 66 centers across

kindle online pdf disconnected kids the groundbreaking brain balance - Nov 26 2022

web sep 26 2023 4 minutes ago copy link to download gwencheayana readbook blogspot com file 0399172440 get pdf
download disconnected kids the groundbreaking brain balance program for children with autism adhd dyslexia and other
neurological disorders the disconnected kids series the proven drugfree

disconnected kids the groundbreaking brain balance program - Jul 23 2022

web disconnected kids the groundbreaking brain balance program for children with autism adhd dyslexia and other
neurological disorders the disconnected kids series continue reading robert melillo provides a fundamentally new
understanding to the cause of these conditions along with his revolutionary brain balance plan tm

disconnected kids revised and updated the groundbreaking brain - Feb 27 2023

web buy disconnected kids revised and updated the groundbreaking brain balance program for children with autism adhd
dyslexia and other neurological disorders by melillo dr robert online on amazon ae at best prices fast and free shipping free

returns cash on delivery available on eligible purchase

disconnected kids the groundbreaking brain balance program for children - Feb 15 2022

web disconnected kids the groundbreaking brain balance program for children with autism adhd dyslexia and other neurolog
the groundbreaking brain dyslexia and other neurological disorders melillo robert amazon com au books

disconnected kids the groundbreaking brain balance program - May 01 2023

web mar 1 2021 disconnected kids the groundbreaking brain balance program for children with autism adhd dyslexia and
other neurological disorders robert melillo on amazon com free shipping on qualifying offers

disconnected kids the groundbreaking brain balance program - Aug 04 2023

web disconnected kids the groundbreaking brain balance program for children with autism adhd dyslexia and other
neurological disorders melillo robert dr amazon sg books

disconnected kids the groundbreaking brain balance program - Oct 26 2022

web buy disconnected kids the groundbreaking brain balance program for children with autism adhd dyslexia and other
neurological disorders illustrated by melillo dr robert isbn 9780399172441 from amazon s book store everyday low prices
and free delivery on eligible orders

disconnected kids the groundbreaking brain balance program - Jun 21 2022

web disconnected kids the groundbreaking brain balance program for children with autism adhd dyslexia and other
neurological disorders by robert melillo see customer reviews

amazon com customer reviews disconnected kids the groundbreaking - Sep 24 2022

web find helpful customer reviews and review ratings for disconnected kids the groundbreaking brain balance program for
children with autism adhd dyslexia and other neurological disorders at amazon com read honest and

dr robert melillo specializing in childhood neurological disorders - Sep 05 2023

web dr robert melillo has been helping children and adults overcome learning disabilities for over 30 years his areas of
expertise include autism spectrum disorders pdd nos add adhd ocd dyslexia asperger s tourette s bipolar disorder and other
mental attention behavioral and learning disorders

dr robert melillo - May 21 2022

web dr robert melillo disconnected kids the groundbreaking brain balance program for children with autism adhd dyslexia
and other neurological disorders the disconnected kids series continue reading the proven drug free program to take care of
the cause not just the symptoms of autism spectrum disorders and related conditions

disconnected kids books the sensory spectrum - Jan 29 2023

web jun 28 2019 disconnected kids the groundbreaking brain balance program for children with autism adhd dyslexia and

other neurological disorders by dr robert melillo dr robert melillo brings a fundamentally new understanding to the cause of these conditions with his revolutionary brain balance program

disconnected kids the groundbreaking brain balance program - Jul 03 2023

web disconnected kids the groundbreaking brain balance program for children with autism adhd dyslexia and other neurological disorders the disconnected kids series ebook melillo robert amazon com au kindle store

disconnected kids the groundbreaking brain balance program for - Jun 02 2023

web download ebook online disconnected kids the groundbreaking brain balance program for children with autism adhd dyslexia and other neurological disorders the disconnected kids series to save disconnected kids the groundbreaking brain balance program for children with

suggestions book depot - Apr 19 2022

web the book you are looking for is not available right now would these interest you

my mighty quinn from tics turbulence distraction and disconnection - Mar 19 2022

web sep 12 2023 prepare to meet the brilliance of the individuals and organisations that i first encountered as well as trailblazing pioneers in neuroscience and child brain development from the us together we will explore how they are tackling and addressing the root causes behind symptoms like adhd autism tourette s tics dyslexia and other neurological

dr robert melillo - Aug 24 2022

web dr robert melillo disconnected kids the groundbreaking brain balance program for children with autism adhd dyslexia and other neurological disorders continue reading

nss ict textbook ch 1 ans pdf educational technology - Aug 15 2023

web 1 a i the isbn of a book 1 ii the number of books 1 b ii information of books 0 5 status of borrowers 0 5 iii enquiring books through a computer network 0 5 check out a book 0 5 pearson education asia limited 2009 3 nss ict compulsory textbook answers

nss teknoloji ağ güvenlik Çözümleri - Nov 06 2022

web sizlere en İyi siber güvenlik Çözümlerini sunuyoruz başarılı bir kanal yapısıyla satış operasyonunu iş ortakları üzerinden yürüten nss teknoloji siber güvenlik alanında uç nokta web ve ağ güvenliğinden kurumsal işletmeler için yama yönetimine veri güvenliğinden veri tabanı güvenliğine

nss kısaltması ne demek açılımı anlamı nedir - Mar 30 2022

web nss türkçe İngilizce ve almancada ne demek nss anlamı nedir nss açılımı kısaltmalar sözlüğünde what does nss stand for **nss information and communication technology** - Jun 13 2023

web 2021 12 02 hkdse ict mock paper papers 1a and 1b set 9 has been uploaded to the compulsory mock paper section 2021

01 15 new senior secondary information and communication technology flipping books teacher s edition are uploaded please click the link in online classroom to access these flipping books

[nss ict compulsory 2 answer pdf gksrv](#) - Apr 30 2022

web kindly say the nss ict compulsory 2 answer pdf is universally compatible with any devices to read universities british indian african eric ashby 1966 tertiary education for the knowledge society paulo santiago 2008

[pocawsc edu hk](#) - Jun 01 2022

web nss ict compulsory volume 2 with cd rom exam guide rev ed and practical handbook nss ict compulsory volume 1 with cd rom exam guide rev ed and practical handbook nss bussiness accounting and financial studies basics of personal financial management exam practice with answer key

[nss ict compulsory 2 answer e journal stp ipi ac](#) - Dec 27 2021

web we have the funds for nss ict compulsory 2 answer and numerous books collections from fictions to scientific research in any way accompanied by them is this nss ict compulsory 2 answer that can be your partner

[nss ict compulsory 2 answer sam arabtravelers](#) - Feb 09 2023

web answersnss ict compulsory 2 answeraces pdf nss ict compulsory2 answer nss ict compulsory 1 answer online library nss ict compulsory2 answer nss ict compulsory2 answer as recognized adventure as competently as experience just about lesson amusement as competently as concord

online library nss ict compulsory 2 answer read pdf free - May 12 2023

web sep 4 2023 additionally useful you have remained in right site to begin getting this info acquire the nss ict compulsory 2 answer associate that we give here and check out the link you could buy lead nss ict compulsory 2 answer or get it as soon as feasible you could quickly download this nss ict compulsory 2 answer after getting deal so taking

nss ict textbook ch pdf password smart card scribd - Jan 08 2023

web pearson education asia limited 2009 2 nss ict compulsory textbook answers lancy ng f 72 lulu lo f 82 billy chau m 60 peter wu m 93 robert wong m 46 1 for the correct sex field 1 for the correct mark field b fixed value check 1 c no 1 because any one field or any combination of the fields cannot guarantee unique field

[where to download nss ict compulsory 2 answer pdf file free](#) - Aug 03 2022

web aug 13 2023 where to download nss ict compulsory 2 answer pdf file free world electoral processes suffrage the voting system compulsory voting and voter turnout gr 5 8 oswaal karnataka pue sample question papers i puc class 11 physics book for 2022 exam chitty s index to all the reported cases decided in the several courts

nss ict compulsory 2 answer pqr uiaf gov co - Jan 28 2022

web answer and numerous books collections from fictions to scientific research in any way in the midst of them is this nss ict

compulsory 2 answer that can be your partner manual for the production of statistics on the digital economy united nations publications 2021 the united nations conference on trade and development unctad is a founding

nss ict compulsory 2 answer pdf pdf devy ortax - Jul 02 2022

web nss ict compulsory 2 answer pdf pages 2 10 nss ict compulsory 2 answer pdf upload dona u hayda 2 10 downloaded from devy ortax org on september 2 2023 by dona u hayda this and is thus an indispensable read

nss ict textbook ch pdf integer computer science data - Dec 07 2022

web pearson education asia limited 2009 2 nss ict compulsory textbook answers 3 c 4 d 5 a 6 c 7 c 8 a 9 a 10 b 11 b short questions 1 a 2 245 2 122 1 2 61 0 2 30 1 2 15 0 27 1 23 1 1 1 hence the required binary number is 1111 01012

nss ict compulsory 2 answer guidebook bobby dunkley - Apr 11 2023

web nov 21 2020 help students master ict with interest efficiently page 21 answer nss ict compulsory 2 answer getting the books nss ict compulsory 2 answer now is not type of challenging means you could not and no one else going gone books accrual or library or borrowing from your connections to get into them

nss ict compulsory 2 answer copy portal dlc ui edu - Sep 04 2022

web install nss ict compulsory 2 answer consequently simple nss ict compulsory 2 answer downloaded from portal dlc ui edu ng by guest chaim mya who laboratory manual for the examination of human semen and sperm cervical mucus interaction international monetary fund recognizing the potential of icts to make taught curriculum

nss ict compulsory 1 answer copy forms indiraedu - Feb 26 2022

web 2 identifying nss ict compulsory 1 answer exploring different genres considering fiction vs non fiction determining your reading goals 3 choosing the right ebook platform popular ebook platforms features to look for in an nss ict compulsory 1 answer user friendly interface 4 exploring ebook recommendations from nss

e book nss ict compulsory2 answer ebook free - Jul 14 2023

web aug 16 2023 e book nss ict compulsory2 answer ebook free compulsory teaching research aptitude nta ugc net jrf set general paper i compulsory teaching research aptitude 26 years solved papers 2021 2006 35 practice sets gcse success revision ict conference proceedings ict for language learning

nss ict compulsory 2 answer rangtv org - Oct 05 2022

web nss ict compulsory 2 answer date 2020 08 08 version 3 19 13 size 51 9 mb downloads 830 votes 6 8 10 the core subjects english maths and science are compulsory across the country view notes nss mock paper compulsory paper 1 pdf from math 3033 at the hong kong university of science and technology the book

14 system software and application software tang hin - Mar 10 2023

web 4 a control peripheral devices manage files and directories allocate the main memory coordinate network

communications provide a platform for application software