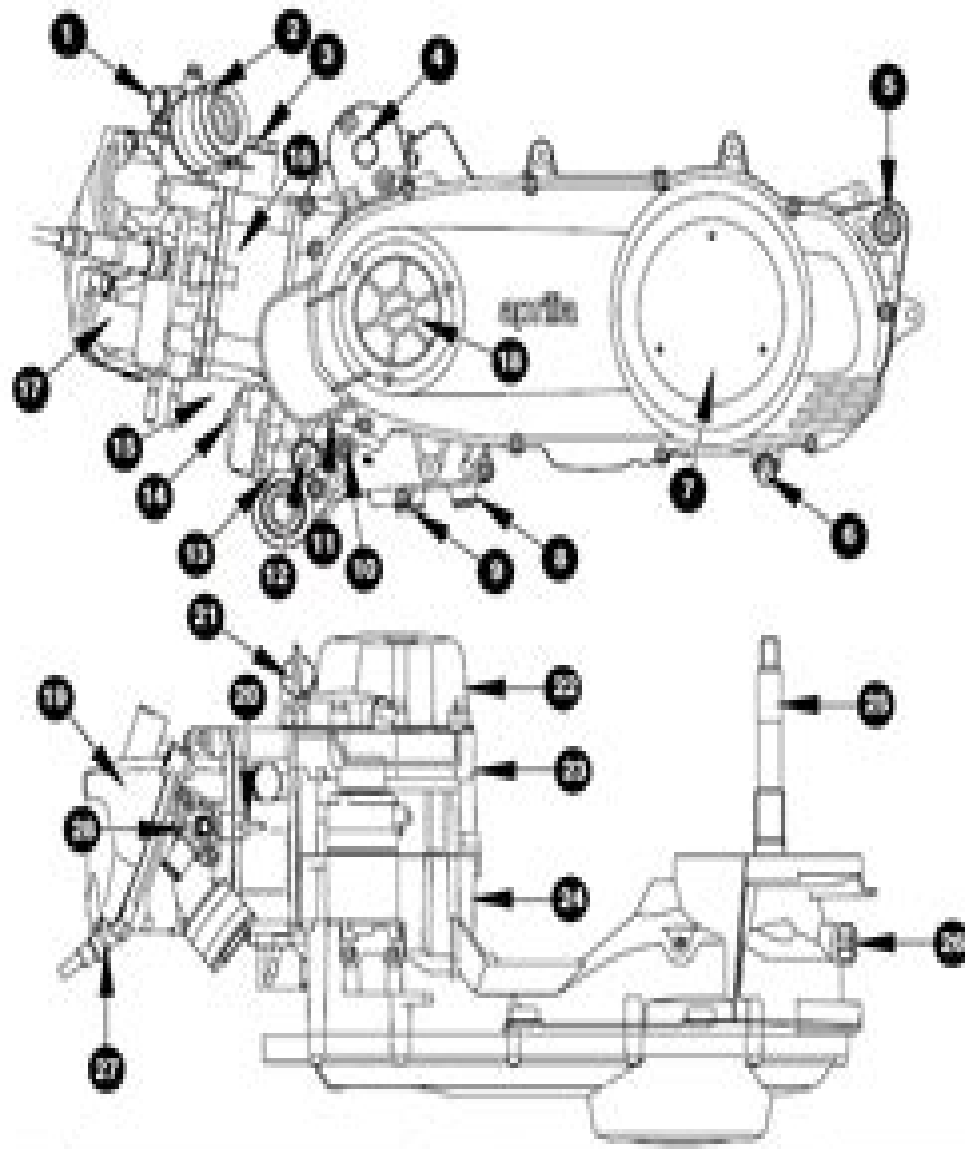


Page thumbnails sidebar containing a list of parts and a grid of thumbnail images.



Aprilia 120 154 177 Rotax Engine Manual

Mike Jess



Aprilia 120 154 177 Rotax Engine Manual :

Unveiling the Magic of Words: A Overview of "**Aprilia 120 154 177 Rotax Engine Manual** "

In some sort of defined by information and interconnectivity, the enchanting power of words has acquired unparalleled significance. Their capability to kindle emotions, provoke contemplation, and ignite transformative change is really awe-inspiring. Enter the realm of "**Aprilia 120 154 177 Rotax Engine Manual** ," a mesmerizing literary masterpiece penned by way of a distinguished author, guiding readers on a profound journey to unravel the secrets and potential hidden within every word. In this critique, we shall delve to the book is central themes, examine its distinctive writing style, and assess its profound effect on the souls of its readers.

<https://recruitmentslovakia.sk/book/browse/default.aspx/saturn%20service%20manual%202015.pdf>

Table of Contents Aprilia 120 154 177 Rotax Engine Manual

1. Understanding the eBook Aprilia 120 154 177 Rotax Engine Manual
 - The Rise of Digital Reading Aprilia 120 154 177 Rotax Engine Manual
 - Advantages of eBooks Over Traditional Books
2. Identifying Aprilia 120 154 177 Rotax Engine Manual
 - Exploring Different Genres
 - Considering Fiction vs. Non-Fiction
 - Determining Your Reading Goals
3. Choosing the Right eBook Platform
 - Popular eBook Platforms
 - Features to Look for in an Aprilia 120 154 177 Rotax Engine Manual
 - User-Friendly Interface
4. Exploring eBook Recommendations from Aprilia 120 154 177 Rotax Engine Manual
 - Personalized Recommendations
 - Aprilia 120 154 177 Rotax Engine Manual User Reviews and Ratings
 - Aprilia 120 154 177 Rotax Engine Manual and Bestseller Lists

5. Accessing Aprilia 120 154 177 Rotax Engine Manual Free and Paid eBooks
 - Aprilia 120 154 177 Rotax Engine Manual Public Domain eBooks
 - Aprilia 120 154 177 Rotax Engine Manual eBook Subscription Services
 - Aprilia 120 154 177 Rotax Engine Manual Budget-Friendly Options
6. Navigating Aprilia 120 154 177 Rotax Engine Manual eBook Formats
 - ePub, PDF, MOBI, and More
 - Aprilia 120 154 177 Rotax Engine Manual Compatibility with Devices
 - Aprilia 120 154 177 Rotax Engine Manual Enhanced eBook Features
7. Enhancing Your Reading Experience
 - Adjustable Fonts and Text Sizes of Aprilia 120 154 177 Rotax Engine Manual
 - Highlighting and Note-Taking Aprilia 120 154 177 Rotax Engine Manual
 - Interactive Elements Aprilia 120 154 177 Rotax Engine Manual
8. Staying Engaged with Aprilia 120 154 177 Rotax Engine Manual
 - Joining Online Reading Communities
 - Participating in Virtual Book Clubs
 - Following Authors and Publishers Aprilia 120 154 177 Rotax Engine Manual
9. Balancing eBooks and Physical Books Aprilia 120 154 177 Rotax Engine Manual
 - Benefits of a Digital Library
 - Creating a Diverse Reading Collection Aprilia 120 154 177 Rotax Engine Manual
10. Overcoming Reading Challenges
 - Dealing with Digital Eye Strain
 - Minimizing Distractions
 - Managing Screen Time
11. Cultivating a Reading Routine Aprilia 120 154 177 Rotax Engine Manual
 - Setting Reading Goals Aprilia 120 154 177 Rotax Engine Manual
 - Carving Out Dedicated Reading Time
12. Sourcing Reliable Information of Aprilia 120 154 177 Rotax Engine Manual
 - Fact-Checking eBook Content of Aprilia 120 154 177 Rotax Engine Manual
 - Distinguishing Credible Sources
13. Promoting Lifelong Learning

- Utilizing eBooks for Skill Development
 - Exploring Educational eBooks
14. Embracing eBook Trends
- Integration of Multimedia Elements
 - Interactive and Gamified eBooks

Aprilia 120 154 177 Rotax Engine Manual Introduction

Free PDF Books and Manuals for Download: Unlocking Knowledge at Your Fingertips In today's fast-paced digital age, obtaining valuable knowledge has become easier than ever. Thanks to the internet, a vast array of books and manuals are now available for free download in PDF format. Whether you are a student, professional, or simply an avid reader, this treasure trove of downloadable resources offers a wealth of information, conveniently accessible anytime, anywhere. The advent of online libraries and platforms dedicated to sharing knowledge has revolutionized the way we consume information. No longer confined to physical libraries or bookstores, readers can now access an extensive collection of digital books and manuals with just a few clicks. These resources, available in PDF, Microsoft Word, and PowerPoint formats, cater to a wide range of interests, including literature, technology, science, history, and much more. One notable platform where you can explore and download free Aprilia 120 154 177 Rotax Engine Manual PDF books and manuals is the internet's largest free library. Hosted online, this catalog compiles a vast assortment of documents, making it a veritable goldmine of knowledge. With its easy-to-use website interface and customizable PDF generator, this platform offers a user-friendly experience, allowing individuals to effortlessly navigate and access the information they seek. The availability of free PDF books and manuals on this platform demonstrates its commitment to democratizing education and empowering individuals with the tools needed to succeed in their chosen fields. It allows anyone, regardless of their background or financial limitations, to expand their horizons and gain insights from experts in various disciplines. One of the most significant advantages of downloading PDF books and manuals lies in their portability. Unlike physical copies, digital books can be stored and carried on a single device, such as a tablet or smartphone, saving valuable space and weight. This convenience makes it possible for readers to have their entire library at their fingertips, whether they are commuting, traveling, or simply enjoying a lazy afternoon at home. Additionally, digital files are easily searchable, enabling readers to locate specific information within seconds. With a few keystrokes, users can search for keywords, topics, or phrases, making research and finding relevant information a breeze. This efficiency saves time and effort, streamlining the learning process and allowing individuals to focus on extracting the information they need. Furthermore, the availability of free PDF books and manuals fosters a culture of continuous learning. By removing financial barriers, more people can access educational resources and pursue lifelong

learning, contributing to personal growth and professional development. This democratization of knowledge promotes intellectual curiosity and empowers individuals to become lifelong learners, promoting progress and innovation in various fields. It is worth noting that while accessing free Aprilia 120 154 177 Rotax Engine Manual PDF books and manuals is convenient and cost-effective, it is vital to respect copyright laws and intellectual property rights. Platforms offering free downloads often operate within legal boundaries, ensuring that the materials they provide are either in the public domain or authorized for distribution. By adhering to copyright laws, users can enjoy the benefits of free access to knowledge while supporting the authors and publishers who make these resources available. In conclusion, the availability of Aprilia 120 154 177 Rotax Engine Manual free PDF books and manuals for download has revolutionized the way we access and consume knowledge. With just a few clicks, individuals can explore a vast collection of resources across different disciplines, all free of charge. This accessibility empowers individuals to become lifelong learners, contributing to personal growth, professional development, and the advancement of society as a whole. So why not unlock a world of knowledge today? Start exploring the vast sea of free PDF books and manuals waiting to be discovered right at your fingertips.

FAQs About Aprilia 120 154 177 Rotax Engine Manual Books

1. Where can I buy Aprilia 120 154 177 Rotax Engine Manual books? Bookstores: Physical bookstores like Barnes & Noble, Waterstones, and independent local stores. Online Retailers: Amazon, Book Depository, and various online bookstores offer a wide range of books in physical and digital formats.
2. What are the different book formats available? Hardcover: Sturdy and durable, usually more expensive. Paperback: Cheaper, lighter, and more portable than hardcovers. E-books: Digital books available for e-readers like Kindle or software like Apple Books, Kindle, and Google Play Books.
3. How do I choose a Aprilia 120 154 177 Rotax Engine Manual book to read? Genres: Consider the genre you enjoy (fiction, non-fiction, mystery, sci-fi, etc.). Recommendations: Ask friends, join book clubs, or explore online reviews and recommendations. Author: If you like a particular author, you might enjoy more of their work.
4. How do I take care of Aprilia 120 154 177 Rotax Engine Manual books? Storage: Keep them away from direct sunlight and in a dry environment. Handling: Avoid folding pages, use bookmarks, and handle them with clean hands. Cleaning: Gently dust the covers and pages occasionally.
5. Can I borrow books without buying them? Public Libraries: Local libraries offer a wide range of books for borrowing. Book Swaps: Community book exchanges or online platforms where people exchange books.

6. How can I track my reading progress or manage my book collection? Book Tracking Apps: Goodreads, LibraryThing, and Book Catalogue are popular apps for tracking your reading progress and managing book collections. Spreadsheets: You can create your own spreadsheet to track books read, ratings, and other details.
7. What are Aprilia 120 154 177 Rotax Engine Manual audiobooks, and where can I find them? Audiobooks: Audio recordings of books, perfect for listening while commuting or multitasking. Platforms: Audible, LibriVox, and Google Play Books offer a wide selection of audiobooks.
8. How do I support authors or the book industry? Buy Books: Purchase books from authors or independent bookstores. Reviews: Leave reviews on platforms like Goodreads or Amazon. Promotion: Share your favorite books on social media or recommend them to friends.
9. Are there book clubs or reading communities I can join? Local Clubs: Check for local book clubs in libraries or community centers. Online Communities: Platforms like Goodreads have virtual book clubs and discussion groups.
10. Can I read Aprilia 120 154 177 Rotax Engine Manual books for free? Public Domain Books: Many classic books are available for free as they're in the public domain. Free E-books: Some websites offer free e-books legally, like Project Gutenberg or Open Library.

Find Aprilia 120 154 177 Rotax Engine Manual :

[saturn service manual 2015](#)

[value of 1997 ford explorer](#)

[business studies september 2014 memo kzn](#)

[land use planning abstracts volume 2](#)

[standaard boeken top 10](#)

[naughty affairs english edition](#)

[nature week activities](#)

[20kenworth w900l owners manual](#)

[zenon motion light manual](#)

[1997 sullair air compressor manual mo](#)

hidden journey

[the bannockburn spell](#)

[fetal alcohol syndrome a medical dictionary bibliography and annotated research guide to internet references](#)

bmw abs fault code

4th grade summer packet language arts

Aprilia 120 154 177 Rotax Engine Manual :

taschenbuch der wirtschaftsmathematik sciencegate - Dec 27 2021

web find the latest published papers in taschenbuch der wirtschaftsmathematik top authors related hot topics the most cited papers and related journals

taschenbuch der wirtschaftsmathematik carl hanser verlag - Oct 05 2022

web taschenbuch der wirtschaftsmathematik isbn buch 978 3 446 43535 3 isbn e book 978 3 446 43574 2 weitere informationen oder bestellungen unter hanser fachbuch de 978 3 446 43535 3 sowie im buchhandel carl hanser verlag münchen

taschenbuch der wirtschaftsmathematik carl hanser verlag - Jul 02 2022

web taschenbuch der wirtschaftsmathematik isbn buch 978 3 446 43535 3 isbn e book 978 3 446 43574 2 weitere informationen oder bestellungen unter hanser fachbuch de 978 3 446 43535 3 sowie im buchhandel carl hanser verlag münchen 134 beispiel 4 7

taschenbuch der wirtschaftsmathematik formeln tabellen - Jan 28 2022

web taschenbuch der wirtschaftsmathematik formeln tabellen zusammenstellungen finden sie alle bücher von dück werner körth heinz runge walter bei der büchersuchmaschine eurobuch com können sie antiquarische und neubücher vergleichen und sofort zum bestpreis bestellen 3871446920

taschenbuch der wirtschaftsmathematik anna s archive - Sep 04 2022

web das taschenbuch der wirtschaftsmathematik stellt eine brücke zwischen mathematischen verfahren und wirtschaftlichen anwendungen in komprimierter form dar das taschenbuch wendet sich sowohl an studierende wirtschaftlicher fachrichtungen teilnehmer an beruflichen weiterbildungen als auch an die in der praxis tätigen

taschenbuch der wirtschaftsmathematik gebundene ausgabe amazon de - Mar 10 2023

web das kleine taschenbuch enthält die wichtigsten formeln gesetze und verfahren aus der wirtschaftsmathematik fazit das kompakte nachschlagwerk ist ein zuverlässiger und exzellent strukturierter ratgeber und kann uneingeschränkt sowohl praktikern als auch studierenden empfohlen werden

taschenbuch der wirtschaftsmathematik hanser elibrary com - Nov 06 2022

web if the address matches an existing account you will receive an email with instructions to reset your password

taschenbuch der wirtschaftsmathematik bücher de - Feb 26 2022

web mathematische verfahren und wirtschaftliche anwendungen auf einen blick das taschenbuch der wirtschaftsmathematik stellt eine brücke zwischen mathematischen verfahren und wirtschaftlichen anwendungen in komprimierter form dar

taschenbuch der wirtschaftsmathematik carl hanser verlag - Jan 08 2023

web taschenbuch der wirtschaftsmathematik isbn buch 978 3 446 43535 3 isbn e book 978 3 446 43574 2 weitere informationen oder bestellungen unter hanser fachbuch de 978 3 446 43535 3 sowie im buchhandel carl hanser verlag münchen

taschenbuch der wirtschaftsmathematik von wolfgang eichholz - Feb 09 2023

web taschenbuch der wirtschaftsmathematik wolfgang eichholz eberhard vilkner buch taschenbuch 23 00 inkl gesetzl mwst taschenbuch weitere ab 19 90 22 99 zur artikeldetailseite von taschenbuch der wirtschaftsmathematik

taschenbuch der wirtschaftsmathematik - Dec 07 2022

web es enthält die wichtigsten formeln gesetze und verfahren aus der wirtschaftsmathematik in den bereichen der grundlagen der linearen algebra und optimierung der reihen und finanzmathematik der funktionen mit einer und mehreren variablen inkl der differenzial und integralrechnung sowie differenzial und

grundlagen taschenbuch der wirtschaftsmathematik hanser - Aug 03 2022

web if the address matches an existing account you will receive an email with instructions to reset your password

taschenbuch der wirtschaftsmathematik amazon de - May 12 2023

web taschenbuch der wirtschaftsmathematik eichholz wolfgang vilkner eberhard isbn 9783446435353 kostenloser versand für alle bücher mit versand und verkauf duch amazon taschenbuch der wirtschaftsmathematik eichholz wolfgang vilkner eberhard amazon de bücher

eichholz vilkner taschenbuch der wirtschaftsmathematik - Jun 13 2023

web produktbeschreibung das taschenbuch der wirtschaftsmathematik stellt eine brücke zwischen mathematischen verfahren und wirtschaftlichen anwendungen in komprimierter form dar das taschenbuch wendet sich sowohl an studierende wirtschaftlicher fachrichtungen teilnehmer an beruflichen weiterbildungen als auch an die in der

[taschenbuch der wirtschaftsmathematik hanser elibrary com](#) - Apr 30 2022

web quantile z_q der standardisierten normalverteilung $f(x; \mu, \sigma)$ z_q 0 9 1 28155 0 95 1 64486 0 975 1 95997 0 99 2 32635 0 995 2 57583 0 999 3 09024 0 9995 3 29053 interpolationsformel d d n 10 bzw n d 10 d d kleine tafeldifferenz d große tafeldifferenz n zu interpolierende stelle taschenbuch der wirtschaftsmathematik downloaded from hanser

taschenbuch der wirtschaftsmathematik hanser fachbuch - Aug 15 2023

web das inhaltlich umfassende kompendium taschenbuch der wirtschaftsmathematik bietet ein exzellentes nachschlagewerk und einen zugang zu den wesentlichen anwendungsfeldern in einer komprimierten und verständlichen form das kleine

taschenbuch enthält die wichtigsten formeln gesetze und verfahren aus der
taschenbuch der wirtschaftsmathematik readingsample - Mar 30 2022

web dieses kompendium auf dem gebiet der wirtschaftsmathematik stellt eine brücke zwischen den mathematischen verfahren und den wirtschaftlichen anwendungen in komprimierter form dar es enthält die wichtigsten formeln gesetze und verfahren aus der wirtschaftsmathematik in den bereichen der grundlagen der linearen algebra und

taschenbuch der wirtschaftsmathematik overdrive - Jun 01 2022

web jan 15 2018 das taschenbuch der wirtschaftsmathematik stellt eine brücke zwischen mathematischen verfahren und wirtschaftlichen anwendungen in komprimierter form dar das taschenbuch wendet sich sowohl an
taschenbuch der wirtschaftsmathematik hanser elibrary com - Jul 14 2023

web dieses kompendium auf dem gebiet der wirtschaftsmathematik stellt eine brücke zwischen den mathematischen verfahren und den wirtschaftlichen anwendungen in komprimierter form dar es enthält die wichtigsten formeln gesetze und verfahren aus der wirtschaftsmathematik in den bereichen der grundlagen der linearen algebra und

taschenbuch der wirtschaftsmathematik gebundene ausgabe amazon de - Apr 11 2023

web dieses buch gibt es in einer neuen auflage taschenbuch der wirtschaftsmathematik 23 00 14 nur noch 8 auf lager das taschenbuch der wirtschaftsmathematik stellt eine brücke zwischen mathematischen verfahren und wirtschaftlichen anwendungen in komprimierter form dar

chemistry textbook ethiopian students download pdf - Sep 05 2022

web ethiopian grade 12 chemistry book pdf student textbook the federal democratic republic of ethiopia ministry of education has made this textbook available for students this chemistry book will help all the students for their better examination preparation all students and teachers can download the textbook for academic or tuition purposes

ethiopian textbooks tech habesha - Feb 27 2022

web august 4 2022 august 14 2022 eyob 0 comments ethiopian grade 12 physics textbook pdf ethiopian textbook ethiopian textbooks for grade 12 pdf download grade 12 chemistry biology physics english maths pdf grade 12 english textbook pdf download grade 12 ethiopian text book pdf grade 12 ethiopian textbook grade 12 ethiopian

chemistry grade 12 textbook fo apps on google play - Dec 08 2022

web nov 15 2020 this is chemistry grade 12 textbook for ethiopian students technology is improving and students require to get chemistry textbook in app from google play store by searching the term

pdf cogent education researchgate - Mar 31 2022

web may 14 2023 study of the experimental tasks of the ethiopian grade 12 chemistry textbook considering developing science process skills cogent education 10 1 2208944 doi 10 1080 2331186x 2023 2208944

ethiopia grade 12 text books for teachers and students pdf - Mar 11 2023

web grade 12 chemistry textbook ethiopia grade 12 chemistry textbook ethiopian students and teachers may download this grade 12 chemistry textbook which is provide by the ethiopia ministry of education

[ethiopian grade 12 chemistry teacher guide pdf neaea com](#) - Dec 28 2021

web this document of grade 12 chemistry teacher guide was developed by six consultants teachers and curriculum experts on this basis this revised chemistry syllabus is prepared in such a way that it can address those areas of study that chemistry students could attend higher education

moe e learning and d library - Aug 04 2022

web moe e learning and d library

[chemistry elearn moe gov et](#) - Jul 03 2022

web published e c 2002 by the federal democratic republic of ethiopia ministry of education under the general education quality improvement project geqip supported by ida credit no 4535

ethiopian grade 12 textbook download pdf for students - Feb 10 2023

web download grade 12 textbook download pdf the following subjects will be offered in grades 12 in two streams however by clicking on the following subjects you can download your required textbook in pdf file madda walabu university bale robe ethiopia ethiopian grade 12 biology textbook pdf download

ethiopian grade 12 chemistry textbook pdf book keg - Jan 29 2022

web ethiopian grade 12 chemistry textbook pdf if you are looking for a book that will expand your knowledge on the subject of ethiopian grade 12 chemistry textbook then you have come to the right place we have this latest edition ready to be delivered to your doorstep

chemistry grade 12 textbook apps on google play - Oct 06 2022

web may 13 2023 this chemistry grade 12 ethiopian student textbook application is very useful for students who are in need of learning with e books on their smart mobile phone or tablet the application is well compiled for easy reading purpose the application enables the user to easily navigate from chapter to

ethiopian grade 12 chemistry unit 2 part 1 acid base youtube - Jun 02 2022

web jan 31 2022 ethiopian grade 12 chemistry unit 2 part 1 acid base equilibria in detail textbook extreme series for more free videos and for other information 0912764421 0

ethiopian grade 12 student text books ethio book review ebr - Apr 12 2023

web ebr have compiled and presented you list of ethiopian grade 12 student text books in pdf you can download the files or read online

take good care of this textbook elearn moe gov et - Jul 15 2023

web chemistry grade 12 2 main contents 1 1 homogeneous and heterogeneous mixtures 1 2 types of solutions 1 3 the solution process 1 4 solubility as an equilibrium process 1 5 ways of expressing concentrations of solution 1 6 preparation of solutions 1 7 solution stoichiometry 1 8 describing reactions in solutions 1 9 colligative properties of

ethiopian grade 12 chemistry book pdf student textbook - Aug 16 2023

web ethiopian grade 12 chemistry textbook unit 1 solutions 1 1 homogeneous and heterogeneous mixtures 1 2 types of solutions 1 3 the solution process 1 4 solubility as an equilibrium process 1 5 ways of expressing concentrations of solutions 1 6 preparation of solutions 1 7 solution stoichiometry 1 8 describing reactions in solution

grade 12 chemistry textbook et apps on google play - Jan 09 2023

web may 31 2022 ethiopian grade 12 chemistry textbook for ethiopian students you can read it anywhere offline grade 12 chemistry textbook is here easy and simple to read and understand enjoy

grade 12 books new curriculum apps on google play - May 13 2023

web sep 4 2023 2 1 gashaw shanbel more vert august 31 2023 it contains only three subjects and even they are not completed but thank you very much it is not a complete book but at least it has helped us to know the topic 16 people found this review helpful

ethiopian grade 12 chemistry textbook pdf sample question answers - Jun 14 2023

web ethiopian grade 12 chemistry book pdf student textbook the federal democratic republic of ethiopia ministry of education has made this textbook available for students this chemistry book will help all the students for their better examination preparation all students and teachers can download the textbook for academic or tuition purposes

ethiopian grade 12 chemistry unit 3 part 2 introduction to - May 01 2022

web feb 8 2022 ethiopian grade 12 chemistry unit 3 part 2 introduction to thermodynamics standard state standard enthalpy second law of thermodynamics entropy gibbs free textbook extreme in detail

a text books and teachers guide jimma university - Nov 07 2022

web taye h et al 2010 preparation of grade 9 chemistry student text book new delhi india fdre moe taye h et al 2010 preparation of grade 9 chemistry teacher s guide new delhi india fdre moe b supplementary books taye h 1998 a new guide to secondary school chemistry grade 7 12 addis ababa aster nega

manuel scierie techniques et mata c riels pdf - Jul 23 2023

web manuel scierie techniques et mata c riels 3 3 and 20th centuries covering more than 35 countries the volume offers dictionary entries on historians within the national or

manuel scierie techniques et matériels by collectif ctba - Feb 06 2022

web connexes techniques et matériels de débit d entretien de maintenance de séchage de manutention ergonomie et sécurité organisation de la production abondamment

[manuel scierie techniques et mata c riels pdf wrbb neu](#) - Aug 12 2022

web it is your completely own mature to put it on reviewing habit along with guides you could enjoy now is manuel scierie techniques et mata c riels below manuel scierie

meslekî ve teknik eğitim genel müdürlüğü eba portalı - Dec 16 2022

web emniyet mah milas sk no 21 06500 yenimahalle ankara 0 312 413 3328 0 312 413 3381 mtegm meb gov tr meslekî ve teknik eğitim genel müdürlüğü eba portalı

manuel scierie techniques et matériels by collectif ctba - Nov 03 2021

web manuel scierie techniques et matériels by collectif ctba inscription sur parcoursup 2 22 les études artistiques bac techno s2tmd depuis 2019 le bac sciences et techniques

[manuel scierie techniques et mata c riels pdf cpanel urbnleaf](#) - Sep 13 2022

web oct 5 2023 manuel scierie techniques et mata c riels title manuel scierie techniques et mata c riels pdf cpanel urbnleaf com subject manuel scierie

manuel scierie techniques et mata c riels pdf yearbook - Jun 22 2023

web reviewing manuel scierie techniques et mata c riels unlocking the spellbinding force of linguistics in a fast paced world fueled by information and interconnectivity the

manuel scierie techniques et matériels by collectif ctba - Dec 04 2021

web manuel scierie techniques et matériels by collectif ctba manuel scierie techniques et matériels by collectif ctba calamo supplement les ailes de cristal 20181204 famille

[manuel scierie techniques et matériels google books](#) - Aug 24 2023

web manuel scierie techniques et matériels centre technique du bois et de l ameublement ctba 2001 397 pages ce manuel scierie rassemble pour la première fois dans un

manuel scierie techniques et mata c riels pdf - Apr 08 2022

web 4 manuel scierie techniques et mata c riels 2021 07 05 and a two year consultative process with development partners and stakeholders around the world the revised

manuel scierie techniques et mata c riels pdf full pdf - Nov 15 2022

web mar 15 2023 manuel scierie techniques et mata c riels pdf this is likewise one of the factors by obtaining the soft documents of this manuel scierie techniques et mata c

[manuel scierie techniques et mata c riels pdf download only](#) - Feb 18 2023

web may 14 2023 manuel scierie techniques et mata c riels pdf is affable in our digital library an online permission to it is set as public correspondingly you can download it

manuel scierie techniques et mata c riels pdf uniport edu - Mar 07 2022

web sep 9 2023 manuel scierie techniques et mata c riels 1 5 downloaded from uniport edu ng on september 9 2023 by guest manuel scierie techniques et mata c

manuel scierie techniques et matériels by collectif ctba - Jul 11 2022

web manuel scierie techniques et matériels by collectif ctba l addition des pé y inscription sur parcoursup 2 22 les études artistiques bac techno s2tmd depuis 2019 le bac

manuel scierie techniques et mata c riels download only - Oct 14 2022

web in right site to begin getting this info get the manuel scierie techniques et mata c riels associate that we present here and check out the link you could purchase lead manuel

manuel scierie techniques et mata c riels 2023 - May 09 2022

web manuel scierie techniques et mata c riels 3 3 cabaret de salis pour bruant et toulouse lautrec ainsi que pour des journaux mais c est surtout la représentation de la

manuel scierie techniques et matériels de ctba livre decitre - Mar 19 2023

web oct 2 2001 manuel scierie techniques et matériels de ctba Éditeur fcba livraison gratuite à 0 01 dès 35 d achat librairie decitre votre prochain livre est là ce

manuel scierie techniques et mata c riels 2022 jmsseniorliving - Jan 05 2022

web manuel scierie techniques et mata c riels 5 5 shows how grinding precision and quality of results can be improved and costs reduced every aspect of the grinding process

manuel scierie techniques et mata c riels 2023 - Apr 20 2023

web manuel scierie techniques et matériels jun 06 2023 ce manuel scierie rassemble pour la première fois dans un même ouvrage l ensemble des informations disponibles

manuel scierie techniques et mata c riels 2022 wrbb neu - Jun 10 2022

web this manuel scierie techniques et mata c riels as one of the most in force sellers here will totally be in the middle of the best options to review manuel scierie techniques et

manuel scierie techniques et mata c riels pdf - May 21 2023

web 2 manuel scierie techniques et mata c riels 2023 05 01 the potential of forests to reduce poverty integrating forests into sustainable economic development and

manuel scierie techniques et mata c riels pdf db csda - Sep 25 2023

web 2 manuel scierie techniques et matériels 2023 03 10 shadowlight createspace principles of modern grinding technology second edition provides insights into

manuel scierie techniques et matériels librairie eyrolles - Jan 17 2023

web manuel scierie aucun résultat pour rayons graphisme photo informatique construction entreprise droit sciences littérature arts loisirs vie pratique voyage