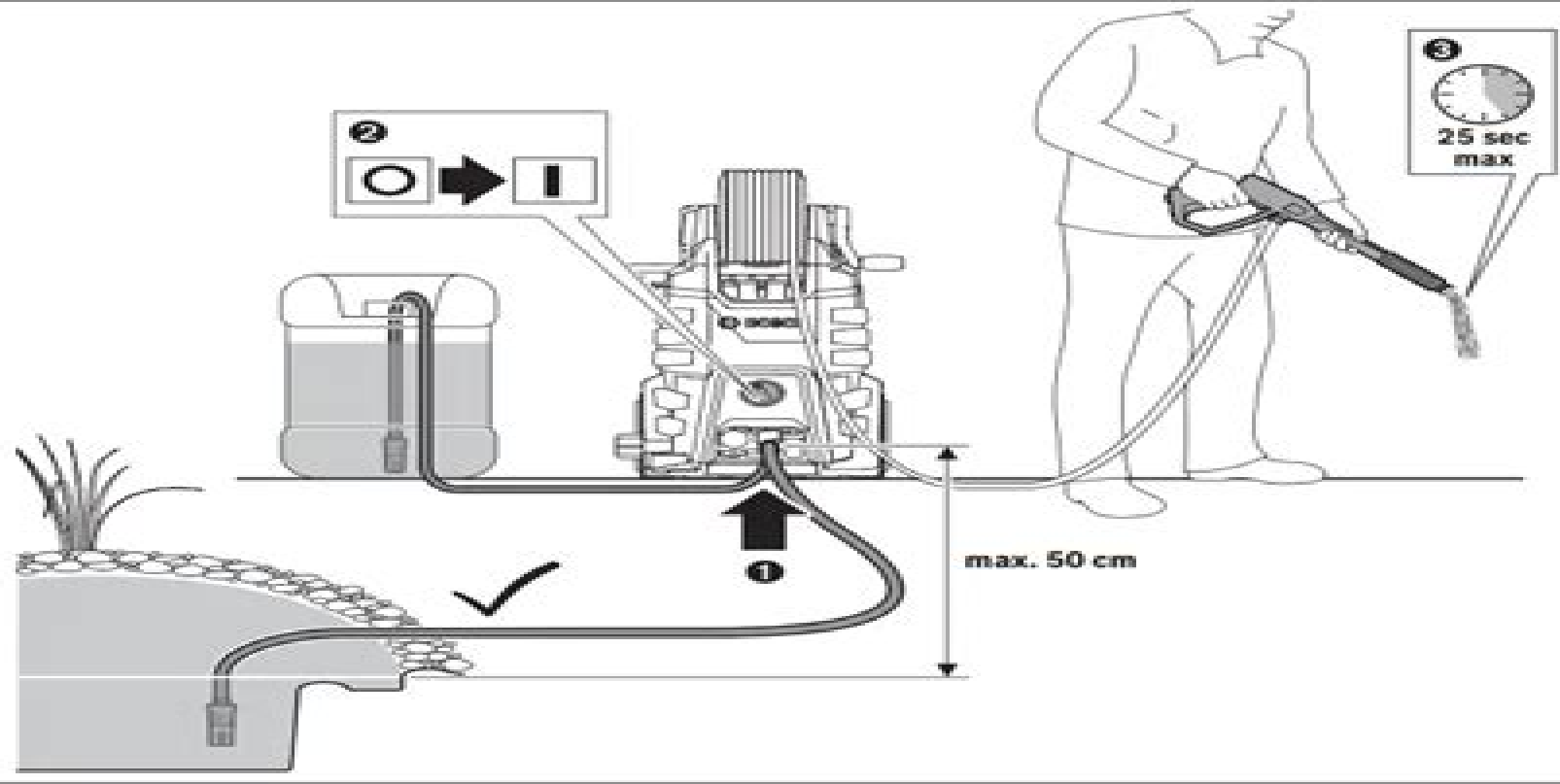
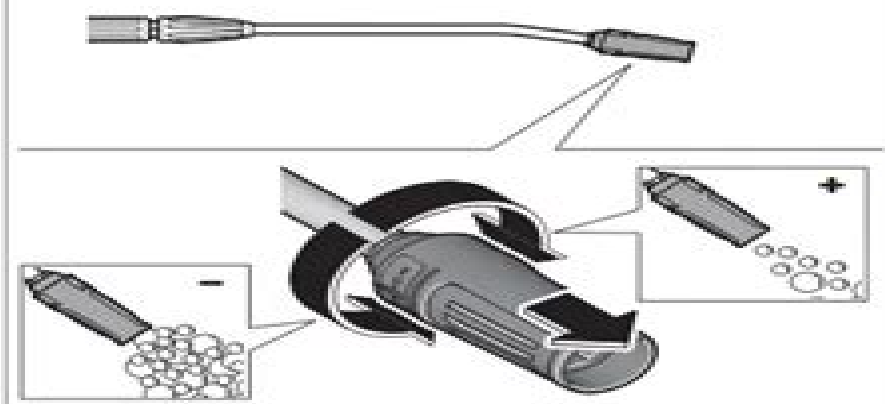
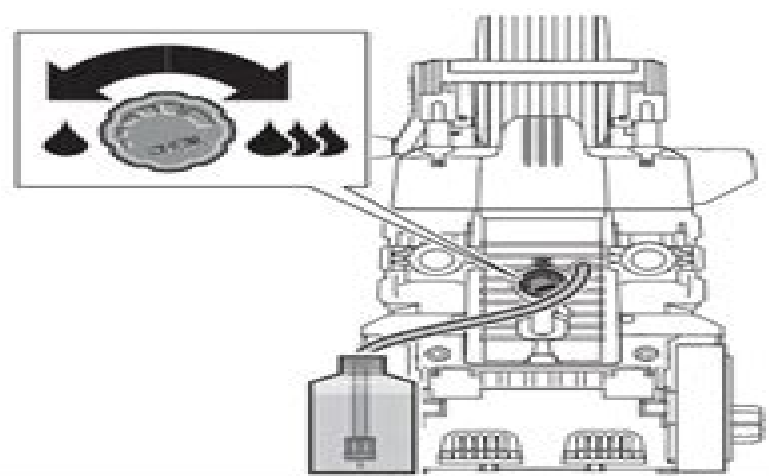


I**J**

Bosch Ahr 150pressure Washer Manual

Thomas Griffiths



Bosch Ahr 150pressure Washer Manual:

As recognized, adventure as with ease as experience very nearly lesson, amusement, as without difficulty as conformity can be gotten by just checking out a book **Bosch Ahr 150pressure Washer Manual** afterward it is not directly done, you could admit even more with reference to this life, not far off from the world.

We have the funds for you this proper as well as simple habit to acquire those all. We come up with the money for Bosch Ahr 150pressure Washer Manual and numerous ebook collections from fictions to scientific research in any way. accompanied by them is this Bosch Ahr 150pressure Washer Manual that can be your partner.

<https://recruitmentslovakia.sk/About/uploaded-files/Documents/manual%20for%20bissell%20proheat%20clearview.pdf>

Table of Contents Bosch Ahr 150pressure Washer Manual

1. Understanding the eBook Bosch Ahr 150pressure Washer Manual
 - The Rise of Digital Reading Bosch Ahr 150pressure Washer Manual
 - Advantages of eBooks Over Traditional Books
2. Identifying Bosch Ahr 150pressure Washer Manual
 - Exploring Different Genres
 - Considering Fiction vs. Non-Fiction
 - Determining Your Reading Goals
3. Choosing the Right eBook Platform
 - Popular eBook Platforms
 - Features to Look for in an Bosch Ahr 150pressure Washer Manual
 - User-Friendly Interface
4. Exploring eBook Recommendations from Bosch Ahr 150pressure Washer Manual
 - Personalized Recommendations
 - Bosch Ahr 150pressure Washer Manual User Reviews and Ratings
 - Bosch Ahr 150pressure Washer Manual and Bestseller Lists
5. Accessing Bosch Ahr 150pressure Washer Manual Free and Paid eBooks

- Bosch Ahr 150pressure Washer Manual Public Domain eBooks
 - Bosch Ahr 150pressure Washer Manual eBook Subscription Services
 - Bosch Ahr 150pressure Washer Manual Budget-Friendly Options
6. Navigating Bosch Ahr 150pressure Washer Manual eBook Formats
 - ePub, PDF, MOBI, and More
 - Bosch Ahr 150pressure Washer Manual Compatibility with Devices
 - Bosch Ahr 150pressure Washer Manual Enhanced eBook Features
 7. Enhancing Your Reading Experience
 - Adjustable Fonts and Text Sizes of Bosch Ahr 150pressure Washer Manual
 - Highlighting and Note-Taking Bosch Ahr 150pressure Washer Manual
 - Interactive Elements Bosch Ahr 150pressure Washer Manual
 8. Staying Engaged with Bosch Ahr 150pressure Washer Manual
 - Joining Online Reading Communities
 - Participating in Virtual Book Clubs
 - Following Authors and Publishers Bosch Ahr 150pressure Washer Manual
 9. Balancing eBooks and Physical Books Bosch Ahr 150pressure Washer Manual
 - Benefits of a Digital Library
 - Creating a Diverse Reading Collection Bosch Ahr 150pressure Washer Manual
 10. Overcoming Reading Challenges
 - Dealing with Digital Eye Strain
 - Minimizing Distractions
 - Managing Screen Time
 11. Cultivating a Reading Routine Bosch Ahr 150pressure Washer Manual
 - Setting Reading Goals Bosch Ahr 150pressure Washer Manual
 - Carving Out Dedicated Reading Time
 12. Sourcing Reliable Information of Bosch Ahr 150pressure Washer Manual
 - Fact-Checking eBook Content of Bosch Ahr 150pressure Washer Manual
 - Distinguishing Credible Sources
 13. Promoting Lifelong Learning
 - Utilizing eBooks for Skill Development

- Exploring Educational eBooks
14. Embracing eBook Trends
- Integration of Multimedia Elements
 - Interactive and Gamified eBooks

Bosch Ahr 150pressure Washer Manual Introduction

In today's digital age, the availability of Bosch Ahr 150pressure Washer Manual books and manuals for download has revolutionized the way we access information. Gone are the days of physically flipping through pages and carrying heavy textbooks or manuals. With just a few clicks, we can now access a wealth of knowledge from the comfort of our own homes or on the go. This article will explore the advantages of Bosch Ahr 150pressure Washer Manual books and manuals for download, along with some popular platforms that offer these resources. One of the significant advantages of Bosch Ahr 150pressure Washer Manual books and manuals for download is the cost-saving aspect. Traditional books and manuals can be costly, especially if you need to purchase several of them for educational or professional purposes. By accessing Bosch Ahr 150pressure Washer Manual versions, you eliminate the need to spend money on physical copies. This not only saves you money but also reduces the environmental impact associated with book production and transportation. Furthermore, Bosch Ahr 150pressure Washer Manual books and manuals for download are incredibly convenient. With just a computer or smartphone and an internet connection, you can access a vast library of resources on any subject imaginable. Whether you're a student looking for textbooks, a professional seeking industry-specific manuals, or someone interested in self-improvement, these digital resources provide an efficient and accessible means of acquiring knowledge. Moreover, PDF books and manuals offer a range of benefits compared to other digital formats. PDF files are designed to retain their formatting regardless of the device used to open them. This ensures that the content appears exactly as intended by the author, with no loss of formatting or missing graphics. Additionally, PDF files can be easily annotated, bookmarked, and searched for specific terms, making them highly practical for studying or referencing. When it comes to accessing Bosch Ahr 150pressure Washer Manual books and manuals, several platforms offer an extensive collection of resources. One such platform is Project Gutenberg, a nonprofit organization that provides over 60,000 free eBooks. These books are primarily in the public domain, meaning they can be freely distributed and downloaded. Project Gutenberg offers a wide range of classic literature, making it an excellent resource for literature enthusiasts. Another popular platform for Bosch Ahr 150pressure Washer Manual books and manuals is Open Library. Open Library is an initiative of the Internet Archive, a non-profit organization dedicated to digitizing cultural artifacts and making them accessible to the public. Open Library hosts millions of books, including both public domain works and contemporary titles. It also allows users to borrow digital copies of certain books for a limited period, similar to a library.

lending system. Additionally, many universities and educational institutions have their own digital libraries that provide free access to PDF books and manuals. These libraries often offer academic texts, research papers, and technical manuals, making them invaluable resources for students and researchers. Some notable examples include MIT OpenCourseWare, which offers free access to course materials from the Massachusetts Institute of Technology, and the Digital Public Library of America, which provides a vast collection of digitized books and historical documents. In conclusion, Bosch Ahr 150pressure Washer Manual books and manuals for download have transformed the way we access information. They provide a cost-effective and convenient means of acquiring knowledge, offering the ability to access a vast library of resources at our fingertips. With platforms like Project Gutenberg, Open Library, and various digital libraries offered by educational institutions, we have access to an ever-expanding collection of books and manuals. Whether for educational, professional, or personal purposes, these digital resources serve as valuable tools for continuous learning and self-improvement. So why not take advantage of the vast world of Bosch Ahr 150pressure Washer Manual books and manuals for download and embark on your journey of knowledge?

FAQs About Bosch Ahr 150pressure Washer Manual Books

How do I know which eBook platform is the best for me? Finding the best eBook platform depends on your reading preferences and device compatibility. Research different platforms, read user reviews, and explore their features before making a choice. Are free eBooks of good quality? Yes, many reputable platforms offer high-quality free eBooks, including classics and public domain works. However, make sure to verify the source to ensure the eBook credibility. Can I read eBooks without an eReader? Absolutely! Most eBook platforms offer webbased readers or mobile apps that allow you to read eBooks on your computer, tablet, or smartphone. How do I avoid digital eye strain while reading eBooks? To prevent digital eye strain, take regular breaks, adjust the font size and background color, and ensure proper lighting while reading eBooks. What the advantage of interactive eBooks? Interactive eBooks incorporate multimedia elements, quizzes, and activities, enhancing the reader engagement and providing a more immersive learning experience. Bosch Ahr 150pressure Washer Manual is one of the best book in our library for free trial. We provide copy of Bosch Ahr 150pressure Washer Manual in digital format, so the resources that you find are reliable. There are also many Ebooks of related with Bosch Ahr 150pressure Washer Manual. Where to download Bosch Ahr 150pressure Washer Manual online for free? Are you looking for Bosch Ahr 150pressure Washer Manual PDF? This is definitely going to save you time and cash in something you should think about. If you trying to find then search around for online. Without a doubt there are numerous these available and many of them have the freedom. However without doubt you receive whatever you purchase. An alternate way to get ideas is always to check

another Bosch Ahr 150pressure Washer Manual. This method for see exactly what may be included and adopt these ideas to your book. This site will almost certainly help you save time and effort, money and stress. If you are looking for free books then you really should consider finding to assist you try this. Several of Bosch Ahr 150pressure Washer Manual are for sale to free while some are payable. If you arent sure if the books you would like to download works with for usage along with your computer, it is possible to download free trials. The free guides make it easy for someone to free access online library for download books to your device. You can get free download on free trial for lots of books categories. Our library is the biggest of these that have literally hundreds of thousands of different products categories represented. You will also see that there are specific sites catered to different product types or categories, brands or niches related with Bosch Ahr 150pressure Washer Manual. So depending on what exactly you are searching, you will be able to choose e books to suit your own need. Need to access completely for Campbell Biology Seventh Edition book? Access Ebook without any digging. And by having access to our ebook online or by storing it on your computer, you have convenient answers with Bosch Ahr 150pressure Washer Manual To get started finding Bosch Ahr 150pressure Washer Manual, you are right to find our website which has a comprehensive collection of books online. Our library is the biggest of these that have literally hundreds of thousands of different products represented. You will also see that there are specific sites catered to different categories or niches related with Bosch Ahr 150pressure Washer Manual So depending on what exactly you are searching, you will be able tochoose ebook to suit your own need. Thank you for reading Bosch Ahr 150pressure Washer Manual. Maybe you have knowledge that, people have search numerous times for their favorite readings like this Bosch Ahr 150pressure Washer Manual, but end up in harmful downloads. Rather than reading a good book with a cup of coffee in the afternoon, instead they juggled with some harmful bugs inside their laptop. Bosch Ahr 150pressure Washer Manual is available in our book collection an online access to it is set as public so you can download it instantly. Our digital library spans in multiple locations, allowing you to get the most less latency time to download any of our books like this one. Merely said, Bosch Ahr 150pressure Washer Manual is universally compatible with any devices to read.

Find Bosch Ahr 150pressure Washer Manual :

[manual for bissell proheat clearview](#)
[festschrift zum siebzigsten geburtstage david hoffmanns volume ii](#)
larchitecte bouffon social collection syntha ses contemporaines
meter base diagrams
[instructors resource manual for business government and society](#)
[who glares wins lexi graves mystery 2 camilla chafer](#)

nature vs nurture opinion essay

be my downfall whitman university book english edition

toyota land cruiser Prado KZJ95R repair manual

larchitecture la sculpture

advanced quantitative finance with c pena alonso

journey back from hell conversations wit

in search of andalucia a historical geographic observation of the malaga seaboard

x2gen mv26t tvs owners manual

ballade dans le condroz photographie de serge paulus

Bosch Ahr 150pressure Washer Manual :

der aufreisser so kriegt mann jede frau rum paperback - Mar 16 2023

web der aufreisser so kriegt mann jede frau rum neil strauss nina pallandt amazon de books

der aufreisser so kriegt mann jede frau rum - Oct 23 2023

web der aufreisser so kriegt mann jede frau rum neil strauss nina pallandt isbn 9783548372303 kostenloser versand für alle bücher mit versand und verkauf duch

der aufreisser so kriegt mann jede frau rum 4 dezember 2008 - Feb 03 2022

web der aufreisser so kriegt mann jede frau rum 4 dezember 2008 isbn kostenloser versand für alle bücher mit versand und verkauf duch amazon

der aufreisser so kriegt mann jede frau rum wrbb neu - Mar 04 2022

web der aufreisser so kriegt mann jede frau rum 1 der aufreisser so kriegt mann jede frau rum this is likewise one of the factors by obtaining the soft documents of this der

der aufreisser so kriegt mann jede frau rum paperback - May 18 2023

web der aufreisser so kriegt mann jede frau rum strauss pallandt hahn amazon nl boeken

der aufreisser so kriegt mann jede frau rum copy - Jan 02 2022

web der aufreisser so kriegt mann jede frau rum augenstern sep 19 2020 amir versucht sein leben zu rekonstruieren im garten der villa seines vaters steht noch das

der aufreißer film at - Jun 07 2022

web was wäre wenn du eine liste bekommst auf der all die personen stehen mit denen du jemals sex hattest und in zukunft haben wirst mit dieser kniffligen frage wird der

der aufreisser so kriegt mann jede frau rum taschenbuch - Jan 14 2023

web der aufreisser so kriegt mann jede frau rum finden sie alle bücher von neil strauss bei der büchersuchmaschine eurobuch de können sie antiquarische und neubücher

der aufreisser so kriegt mann jede frau rum amazon com br - Aug 09 2022

web compre online der aufreisser so kriegt mann jede frau rum de strauss neil pallandt nina hahn kristof na amazon frete grÁtis em milhares de produtos com o amazon

der aufreisser von neil strauss ebook thalia - Jul 20 2023

web schüchtern single frustriert das war gestern meister verführer neil strauss zeigt wie mann in nur 30 tagen lernt jede frau zu erobern und das ist keine blasse theorie

der aufreisser so kriegt mann jede frau rum tapa blanda - Oct 11 2022

web der aufreisser so kriegt mann jede frau rum strauss neil pallandt nina hahn kristof amazon es libros

der aufreisser so kriegt mann jede frau rum pdf - Dec 01 2021

web der aufreisser so kriegt mann jede frau rum der aufreisser may 05 2023 tonindustrie zeitung nov 06 2020 dangerous rush gefährliche liebe oct 18 2021

amazon de kundenrezensionen der aufreisser so kriegt mann - Nov 12 2022

web finde hilfreiche kundenrezensionen und rezensionsbewertungen für der aufreisser so kriegt mann jede frau rum auf amazon de lese ehrliche und unvoreingenommene

der aufreisser so kriegt mann jede frau rum oliver markus - Sep 10 2022

web as this der aufreisser so kriegt mann jede frau rum it ends taking place swine one of the favored book der aufreisser so kriegt mann jede frau rum collections that we

der aufreisser so kriegt mann jede frau rum reader q a - Aug 21 2023

web readers questions about der aufreisser so kriegt mann jede frau rum 3 questions answered

pdf der aufreisser so kriegt mann jede frau rum - Dec 13 2022

web der aufreisser so kriegt mann jede frau rum die avantures von deutsch francos mit all sein scriptures und mit viel schoen kuffer blatt mar 20 2021 new man

der aufreisser so kriegt mann jede frau rum von neil strauss - Apr 05 2022

web der aufreisser so kriegt mann jede frau rum von neil strauss 2008 taschenbuch isbn kostenloser versand für alle bücher mit versand und verkauf duch amazon

der aufreißer kinocloud - May 06 2022

web jul 4 2022 was wäre wenn du eine liste bekommst auf der all die personen stehen mit denen du jemals sex hattest und

in zukunft haben wirst mit dieser kniffligen frage

der aufreisser so kriegt mann jede frau rum ebook - Jun 19 2023

web dec 1 2017 schüchtern single frustriert das war gestern meister verführer neil strauss zeigt wie mann in nur 30 tagen lernt jede frau zu

der aufreisser so kriegt mann jede frau rum lovelybooks - Sep 22 2023

web dec 4 2008 schüchtern single frustriert das war gestern meister verführer neil strauss zeigt wie mann in nur 30 tagen lernt jede frau zu erobern und das ist keine

9783548372303 der aufreisser so kriegt mann jede frau rum - Jul 08 2022

web der aufreisser so kriegt mann jede frau rum finden sie alle bücher von neil strauss bei der büchersuchmaschine eurobuch.ch können sie antiquarische und neubücher

der aufreisser so kriegt mann jede frau rum von neil strauss 4 - Feb 15 2023

web der aufreisser so kriegt mann jede frau rum von neil strauss 4 dezember 2008 taschenbuch isbn kostenloser versand für alle bücher mit versand und verkauf

pdf der aufreisser so kriegt mann jede frau rum - Apr 17 2023

web sommer sonne und der glamour von l a das umwerfende setting einer überwältigenden ersten großen liebe die 16 jährige eden ist genervt sie soll den ganzen sommer bei

learn rslogix 500 programming software amsamotion - Apr 22 2022

web apr 11 2020 rslogix 500 is a software platform developed by rockwell automation for programming industrial control systems it is used to develop ladder logic programs and human machine interface hmi applications for a range of programmable logic controllers plcs and other automation devices rslogix500 is a programming tool for the

solved use timers and write a plc program using rslogix 500 - Sep 27 2022

web use timers and write a plc program using rslogix 500 for traffic light control in one direction as per the following description there is no start or stop button operation is automatic and once started it continues the red light should be on for 30 sec the green light for 25 sec and the amber light for 5 sec

slc 500 and rslogix 500 programming rockwell automation - Oct 29 2022

web identifying slc 500 system components getting started with rslogix 500 software communicating with an slc 500 processor creating a new project determining addresses and assigning symbols drafting ladder logic selecting and programming bit instructions entering editing and verifying ladder logic determining program flow

trafficlightcontrollin gusingplcladderprog ramming - Aug 27 2022

web plc controls with ladder diagram ld applied programmable logic control lab manual hands on plc programming with

rslogix 500 and logixpro plc programming using rslogix 500 real world applications development of traffic light control system using programmable logic controller internet of things in smart technologies for

[6 write a ladder logic in rslogix 500 software youtube](#) - Dec 31 2022

web this video will help you to learn how to write a ladder logic in rslogix 500 software if you want learn more industrial automation training and online indus

[traffic light control using plc ladder logic programming](#) - Oct 09 2023

web jul 9 2020 design ladder logic for 4 way traffic light control system the traffic light is one of the classic examples in plc ladder logic we can take four directions north south west and east with three output lamps green red and yellow you can build your own concept for making logic for this example

[simple traffic light plc program youtube](#) - Nov 29 2022

web sep 27 2019 simple traffic light plc program plcprogrammer 804 subscribers 283 share save 39k views 4 years ago more more the learning pit s logixpro plc simulatortraffic control lab utilizing a

[traffic light control using plc ladder logic inst tools](#) - Aug 07 2023

web program done in ab rslogix 500 software list of inputs and outputs for traffic control system plc program for 3 way traffic control system below tabular column gives the steps or sequence of outputs to turn on plc logic description for 3 way traffic control system rung000

[rslogix500trafficlightladderprogramming download only](#) - Mar 22 2022

web plc programming using rslogix 500 a practical guide to ladder logic and the rslogix 500 environment chief of staff prewar plans and preparations introduction practical plc programmable logic controller programming hands on plc programming with rslogix 500 and logixpro

programmable logic controller plc guide festo - Jul 26 2022

web onboard traf c light simulator compatibility with micrologix and slc instruction set requires the rslogix 500 programming software model 3245 a for programming an ethernet cable is included with the trainer but a serial cable model 3246 4 can also be ordered includes curriculum 24 vdc built in power supply

[rslogix500trafficlig htladderprogrammin g](#) - Feb 18 2022

web plc programming using rslogix 500 a practical guide to ladder logic and the rslogix 500 environment planning and managing security for major special events plc controls with structured text st plc programming using rslogix 500 real world applications ibm flex system products and technology for power systems plcs

traffic light simulator exercise 2 on ladder logic pro 500 part 1 - Mar 02 2023

web jan 28 2011 ladder logic program exercise for logix pro 500 traffic light simulator for those of you that need a little help

with your college school assignment

single traffic light control system rslogix 500 plc programming - Sep 08 2023

web nov 2 2020 single traffic light control system 1st rung i placed start pb as no stop as nc and coil as memory bit and memory bit parallel to start pb for latching

control and supervise the traffic lights via rslogix 500 plc - May 04 2023

web may 22 2020 1 purpose of the manipulation the purpose is to control and supervise the traffic lights at an intersection the programmable controller and programming software used are allen bradley micrologix 1500 and rslogix 500 v4 5

respectively 2 description of the operation the operation be represented by the following sequences

rslogix500trafficlightladderprogramming dev sfcg - Dec 19 2021

web plc programming using rslogix 500 real world applications introduction practical plc programmable logic controller programming learning rslogix 5000 programming introduction to programmable logic controllers artificial intelligence and online engineering understanding ict standardization a framework for k 12 science

rslogix 500 traffic light ladder programming db csda org - May 24 2022

web rslogix 500 traffic light ladder programming downloaded from db csda org by guest tyler lewis hands on plc programming with rslogix 500 and logixpro springer nature historically grief and spirituality have been jealously guarded as uniquely human experiences although non human animal grief has been acknowledged in recent times its

rslogix500trafficlightladderprogramming pdf - Nov 17 2021

web to free versions of rslogix 500 and rslogix emulate 500 so to learn run and test your ladder logic programs you don t need a plc you will not only learn how to obtain these rockwell automation software without any hassle i also demonstrate with clear screenshots how to configure navigate and use them to create ladder logic programs

ladder logic examples and plc programming examples plc - Jun 05 2023

web jun 27 2015 all examples of how to use plc programming and ladder logic to solve real problems traffic light ladder logic diagram one of the most used applications for a plc is the traffic lights at many schools universities and even companies you will get the challenge to make a traffic light ladder logic diagram

rslogix 5000 traffic light program youtube - Apr 03 2023

web sep 17 2019 studio 5000 otl latch and otu unlatch instructions controllogix compactlogix traffic light simulation using rslogix 5000 rslogix5000

rslogix500 intro to plc ladder programming youtube - Feb 01 2023

web feb 6 2017 how to program with inputs outputs timers and latches in rslogix 500

rslogix500traffclig htladderprogrammin g - Jun 24 2022

web ladder logic programming and will guide you through your very first steps in the rslogix 500 environment we take a detailed look at the entire rslogix 500 interface practical methods to build a plc program and how to connect to a micrologix plc we also cover the basics of ladder logic programming and simple programming principles that

rslogix 500 traffic light ladder programming secure4 khronos - Jan 20 2022

web rslogix 500 traffic light ladder programming below you could swiftly download this rslogix 500 traffic light ladder programming after obtaining bargain we compensate for rslogix 500 traffic light ladder programming and plentiful books selections from fictions to scientific researchh in any way

traffic light with pedestrian crosswalk plc program youtube - Jul 06 2023

web jan 24 2020 logixpro plc simulator mimicking rockwell s rslogix500 this video is a continuation of my previous video youtu be fnu yimdarm

user manual jonsered yt42 english 56 pages - May 03 2023

web illustrated parts manual with exploded diagrams showing various components a reproduction of the original manual click on the image for jonsered chainsaw 420 parts

free jonsered chainsaw user manuals manualsonline com - Nov 28 2022

web 4 jonsered 420 manual 2022 12 05 jubilee edition chainsaw husqvarna chain oil leak repair 346 how i got more power from my chainsaw 1 of 2 spike60 s jonsered top

free jonsered lawn mower user manuals manualsonline com - Jul 25 2022

web aug 21 2017 pdf file jonsered 435 manual page 1 save this book to read jonsered 435 manual pdf ebook at our online library get jonsered 435 manual pdf file for

jonsered jonsered 420 sawagain store - Jun 23 2022

web accueil jonsered modes d emploi et notices d utilisation retrouvez toutes les notices et les modes d emploi des appareils de la marque jonsered au format pdf notices

jonsered 420 service repair workshop manuals emanualonline - Jun 04 2023

web manual view the manual for the jonsered yt42 here for free this manual comes under the category tractors and has been rated by 1 people with an average of a 7 5 this

jonsered 420 manual - Aug 26 2022

web jonsered 420 sort by quick view details forester sku saj0050 16 325 pitch 050 gauge forester chainsaw bar fits mid mount jonsered and husqvarna models 33 99

jonsered 420 pdf chainsaw parts manual johnsmanuals - Jan 31 2023

web garden product manuals and free pdf instructions find the user manual you need for your lawn and garden product and

more at manualsonline

[jonsered chainsaw 420 parts manual agrimanuals](#) - Mar 01 2023

web you are buying a pdf service shop manual for a jonsered 420 chainsaw parts manual this is a high quality download that will not expire and will be yours forever if you would

[renoverar en jonsered 420 från 1983 youtube](#) - Oct 08 2023

web view download of more than 910 jonsered pdf user manuals service manuals operating guides chainsaw lawn mower user manuals operating guides specifications

jonsered 435 manual by courtneybarden1638 issuu - May 23 2022

web all usermanuals com your manuals search service jonsered 420 manual 96 buick regal owners manual 3i implant innovations torque wrench technique manual smith

[jonsered other 520sp owners manual manualsonline com](#) - Dec 18 2021

jonsered chainsaw workshop manuals pdf download - Aug 06 2023

web you will then receive a reply with a link to visit to the manual for your jonsered 420 this manual will show you every nut and bolt on your machine with hundreds of pages it will

jonsered 420 manual rchat technosolutions - Jan 19 2022

jonsered 420 chainsaw parts manual pdf download - Dec 30 2022

web download manuals user guides for 310 devices offered by jonsered in chainsaw devices category choose one of the enlisted appliances to see all available service

[jonsered user manuals download manualslib](#) - Sep 07 2023

web chainsaws please visit our home page to see a complete list of all the useful workshop manuals we offer workshop manual is a generic term we use to describe repair

jonsered notices et manuels d utilisation notice facile - Apr 21 2022

web after having used other manual sites this is the best one hands down have been using it since i found it and it is very easy to use jonsered 420 manual brother 7820n

jonsered cs 2234 operator s manual pdf - Apr 02 2023

web you are buying a pdf service shop manual for a jonsered 420 this is a high quality download that will not expire and will be yours forever if you would like the manual on a

jonsered 420 manual - Feb 17 2022

web feb 15 2011 owners manual i am looking for an owners manual for this saw jonsered 520sp asked by roger on 02 15 2011 0 answer manualsonline posted an answer 12

jonsered 420 manual - Mar 21 2022

web it is your entirely own epoch to con reviewing habit in the midst of guides you could enjoy now is jonsered 420 manual below jonsered 420 manual 2019 10 31 williams

jonsered chainsaw manuals and user guides pdf preview and - Oct 28 2022

web jonsered 420 manual is available in our book collection an online access to it is set as public so you can download it instantly our book servers hosts in multiple locations

jonsered 420 factory service work shop manual - Jul 05 2023

web our 420 jonsered chainsaws power equipment workshop manuals contain in depth maintenance service and repair information get your emanual now

jonsered 420 manual - Sep 26 2022

web garden product manuals and free pdf instructions find the user manual you need for your lawn and garden product and more at manualsonline