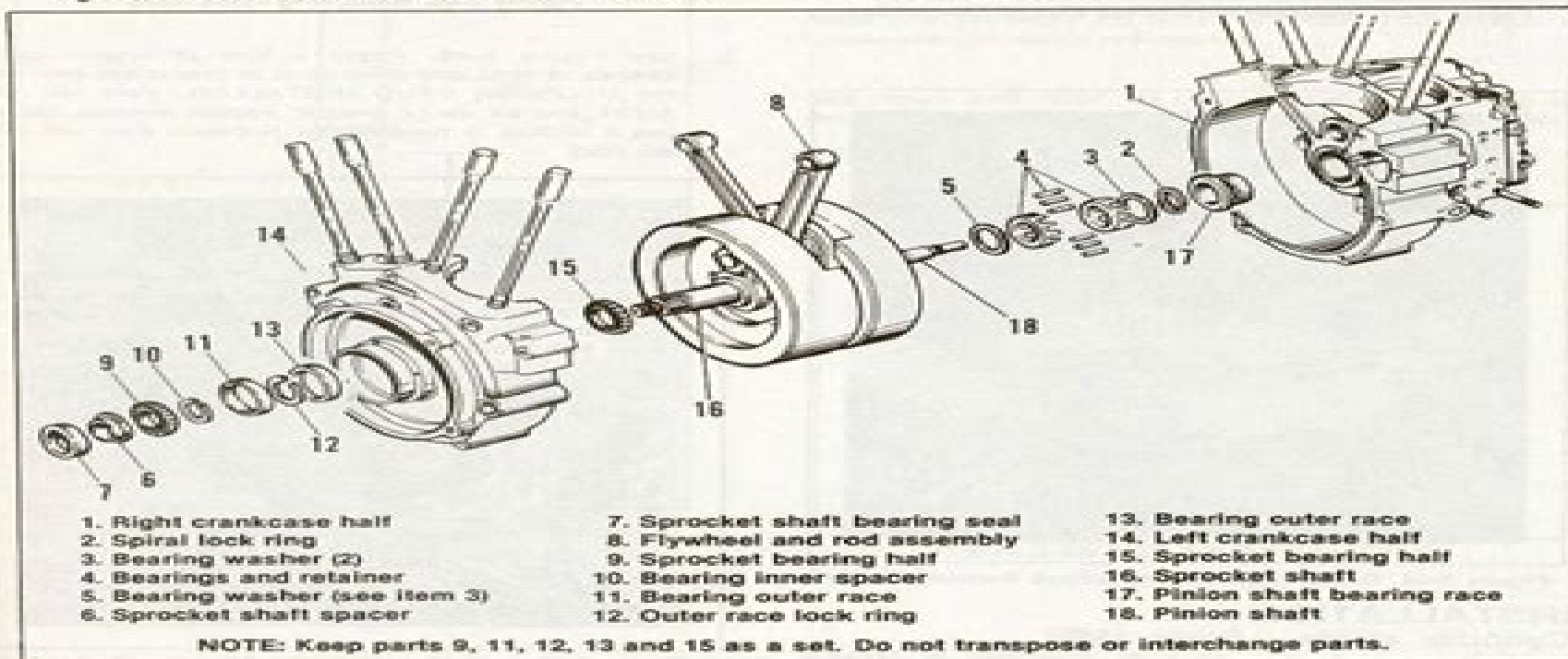


1. Crankcase stud bolt, 3/8 x 3-1/4 in. (2)
2. Crankcase stud, 5/16 x 5 in. (right center)
3. Crankcase stud, 5/16 x 6 in. (left center)
4. Crankcase stud, 5/16 x 5-7/16 in. (2) (top and top right)
5. Crankcase stud, 11/32 x 5-13/16 in. (2) (left and right bottom)

Figure 3-41. Crankcase Studs — Exploded View

5. See Figure 3-42. Position crankcase with gearcase (right) side up. Tap crankcase with soft face mallet to loosen right half. Lift right crankcase half (1) off pinion shaft main bearings (4). Remove spiral lock ring (2) from pinion shaft with tip of screwdriver. Lift bearing washers (3 and 5) with bearings and bearing retainers (4) off pinion shaft.
6. See Figure 3-43. Mount flywheel and left case assembly on press table supporting case on parallel bars and press on end of sprocket shaft with arbor press until flywheel assembly (8) drops out. Remove seal (7), freeing sprocket side bearing half (9), spacer (6) and spacer (10).
7. See Figure 3-44. If left main bearing is to be replaced, press out bearing races (11 and 13. Figure 3-42) from opposite sides of crankcase hole, using **CRANKSHAFT BEARING REMOVAL & INSTALLATION TOOL**, Part No. HD-94547-80. If bearing set is being replaced, remove lock ring (12) using a pin punch or similar tool. Rotate lock ring in groove so that one edge covers oil hole. Insert tool into oil hole with tapered end underneath lock ring. Tap on tool to force one end out of groove as shown in Figure 3-45. Starting at this free end, push ring out of bearing bore.



- |                                |                                |                               |
|--------------------------------|--------------------------------|-------------------------------|
| 1. Right crankcase half        | 7. Sprocket shaft bearing seal | 13. Bearing outer race        |
| 2. Spiral lock ring            | 8. Flywheel and rod assembly   | 14. Left crankcase half       |
| 3. Bearing washer (2)          | 9. Sprocket bearing half       | 15. Sprocket bearing half     |
| 4. Bearings and retainers      | 10. Bearing inner spacer       | 16. Sprocket shaft            |
| 5. Bearing washer (see Item 3) | 11. Bearing outer race         | 17. Pinion shaft bearing race |
| 6. Sprocket shaft spacer       | 12. Outer race lock ring       | 18. Pinion shaft              |

NOTE: Keep parts 9, 11, 12, 13 and 15 as a set. Do not transpose or interchange parts.

Figure 3-42. Crankcase - Exploded View

# 1985 Fxst Manual

**Curt Choate, Tom Schauwecker, John  
Harold Haynes**

**1985 Fxst Manual:**

## **1985 Fxst Manual** Book Review: Unveiling the Power of Words

In a world driven by information and connectivity, the energy of words has become more evident than ever. They have the capability to inspire, provoke, and ignite change. Such is the essence of the book **1985 Fxst Manual**, a literary masterpiece that delves deep into the significance of words and their impact on our lives. Published by a renowned author, this captivating work takes readers on a transformative journey, unraveling the secrets and potential behind every word. In this review, we shall explore the book's key themes, examine its writing style, and analyze its overall effect on readers.

[https://recruitmentslovakia.sk/results/scholarship/Documents/mig\\_welding\\_ador\\_manual.pdf](https://recruitmentslovakia.sk/results/scholarship/Documents/mig_welding_ador_manual.pdf)

### **Table of Contents 1985 Fxst Manual**

1. Understanding the eBook 1985 Fxst Manual
  - The Rise of Digital Reading 1985 Fxst Manual
  - Advantages of eBooks Over Traditional Books
2. Identifying 1985 Fxst Manual
  - Exploring Different Genres
  - Considering Fiction vs. Non-Fiction
  - Determining Your Reading Goals
3. Choosing the Right eBook Platform
  - Popular eBook Platforms
  - Features to Look for in an 1985 Fxst Manual
  - User-Friendly Interface
4. Exploring eBook Recommendations from 1985 Fxst Manual
  - Personalized Recommendations
  - 1985 Fxst Manual User Reviews and Ratings
  - 1985 Fxst Manual and Bestseller Lists
5. Accessing 1985 Fxst Manual Free and Paid eBooks

- 1985 Fxst Manual Public Domain eBooks
  - 1985 Fxst Manual eBook Subscription Services
  - 1985 Fxst Manual Budget-Friendly Options
6. Navigating 1985 Fxst Manual eBook Formats
- ePub, PDF, MOBI, and More
  - 1985 Fxst Manual Compatibility with Devices
  - 1985 Fxst Manual Enhanced eBook Features
7. Enhancing Your Reading Experience
- Adjustable Fonts and Text Sizes of 1985 Fxst Manual
  - Highlighting and Note-Taking 1985 Fxst Manual
  - Interactive Elements 1985 Fxst Manual
8. Staying Engaged with 1985 Fxst Manual
- Joining Online Reading Communities
  - Participating in Virtual Book Clubs
  - Following Authors and Publishers 1985 Fxst Manual
9. Balancing eBooks and Physical Books 1985 Fxst Manual
- Benefits of a Digital Library
  - Creating a Diverse Reading Collection 1985 Fxst Manual
10. Overcoming Reading Challenges
- Dealing with Digital Eye Strain
  - Minimizing Distractions
  - Managing Screen Time
11. Cultivating a Reading Routine 1985 Fxst Manual
- Setting Reading Goals 1985 Fxst Manual
  - Carving Out Dedicated Reading Time
12. Sourcing Reliable Information of 1985 Fxst Manual
- Fact-Checking eBook Content of 1985 Fxst Manual
  - Distinguishing Credible Sources
13. Promoting Lifelong Learning
- Utilizing eBooks for Skill Development

- Exploring Educational eBooks
- 14. Embracing eBook Trends
  - Integration of Multimedia Elements
  - Interactive and Gamified eBooks

### **1985 Fxst Manual Introduction**

1985 Fxst Manual Offers over 60,000 free eBooks, including many classics that are in the public domain. Open Library: Provides access to over 1 million free eBooks, including classic literature and contemporary works. 1985 Fxst Manual Offers a vast collection of books, some of which are available for free as PDF downloads, particularly older books in the public domain. 1985 Fxst Manual : This website hosts a vast collection of scientific articles, books, and textbooks. While it operates in a legal gray area due to copyright issues, its a popular resource for finding various publications. Internet Archive for 1985 Fxst Manual : Has an extensive collection of digital content, including books, articles, videos, and more. It has a massive library of free downloadable books. Free-eBooks 1985 Fxst Manual Offers a diverse range of free eBooks across various genres. 1985 Fxst Manual Focuses mainly on educational books, textbooks, and business books. It offers free PDF downloads for educational purposes. 1985 Fxst Manual Provides a large selection of free eBooks in different genres, which are available for download in various formats, including PDF. Finding specific 1985 Fxst Manual, especially related to 1985 Fxst Manual, might be challenging as theyre often artistic creations rather than practical blueprints. However, you can explore the following steps to search for or create your own Online Searches: Look for websites, forums, or blogs dedicated to 1985 Fxst Manual, Sometimes enthusiasts share their designs or concepts in PDF format. Books and Magazines Some 1985 Fxst Manual books or magazines might include. Look for these in online stores or libraries. Remember that while 1985 Fxst Manual, sharing copyrighted material without permission is not legal. Always ensure youre either creating your own or obtaining them from legitimate sources that allow sharing and downloading. Library Check if your local library offers eBook lending services. Many libraries have digital catalogs where you can borrow 1985 Fxst Manual eBooks for free, including popular titles. Online Retailers: Websites like Amazon, Google Books, or Apple Books often sell eBooks. Sometimes, authors or publishers offer promotions or free periods for certain books. Authors Website Occasionally, authors provide excerpts or short stories for free on their websites. While this might not be the 1985 Fxst Manual full book , it can give you a taste of the authors writing style. Subscription Services Platforms like Kindle Unlimited or Scribd offer subscription-based access to a wide range of 1985 Fxst Manual eBooks, including some popular titles.

---

**FAQs About 1985 Fxst Manual Books**

1. Where can I buy 1985 Fxst Manual books? Bookstores: Physical bookstores like Barnes & Noble, Waterstones, and independent local stores. Online Retailers: Amazon, Book Depository, and various online bookstores offer a wide range of books in physical and digital formats.
2. What are the different book formats available? Hardcover: Sturdy and durable, usually more expensive. Paperback: Cheaper, lighter, and more portable than hardcovers. E-books: Digital books available for e-readers like Kindle or software like Apple Books, Kindle, and Google Play Books.
3. How do I choose a 1985 Fxst Manual book to read? Genres: Consider the genre you enjoy (fiction, non-fiction, mystery, sci-fi, etc.). Recommendations: Ask friends, join book clubs, or explore online reviews and recommendations. Author: If you like a particular author, you might enjoy more of their work.
4. How do I take care of 1985 Fxst Manual books? Storage: Keep them away from direct sunlight and in a dry environment. Handling: Avoid folding pages, use bookmarks, and handle them with clean hands. Cleaning: Gently dust the covers and pages occasionally.
5. Can I borrow books without buying them? Public Libraries: Local libraries offer a wide range of books for borrowing. Book Swaps: Community book exchanges or online platforms where people exchange books.
6. How can I track my reading progress or manage my book collection? Book Tracking Apps: Goodreads, LibraryThing, and Book Catalogue are popular apps for tracking your reading progress and managing book collections. Spreadsheets: You can create your own spreadsheet to track books read, ratings, and other details.
7. What are 1985 Fxst Manual audiobooks, and where can I find them? Audiobooks: Audio recordings of books, perfect for listening while commuting or multitasking. Platforms: Audible, LibriVox, and Google Play Books offer a wide selection of audiobooks.
8. How do I support authors or the book industry? Buy Books: Purchase books from authors or independent bookstores. Reviews: Leave reviews on platforms like Goodreads or Amazon. Promotion: Share your favorite books on social media or recommend them to friends.
9. Are there book clubs or reading communities I can join? Local Clubs: Check for local book clubs in libraries or community centers. Online Communities: Platforms like Goodreads have virtual book clubs and discussion groups.
10. Can I read 1985 Fxst Manual books for free? Public Domain Books: Many classic books are available for free as they're in the public domain. Free E-books: Some websites offer free e-books legally, like Project Gutenberg or Open Library.

**Find 1985 Fxst Manual :**

[mig welding ador manual](#)

**mini cooper service nyc**

**the diary of ellen rimbauer by joyce reardon**

[12 3 inscribed angled practice answers](#)

[1992 toyota pickup manua](#)

*value of 1997 ford expedition*

**97 mitsubishi triton manual**

~~manual alfa vergina 50~~

[raise the red lantern three novellas](#)

[science review finals 8th grade](#)

[2009 audi tt cam follower manual](#)

~~00 chevy silverado 2500 repair manual~~

[meterman service manual](#)

**volvo penta stern drive manual 3 0l**

[boeing 777 systems study guide](#)

**1985 Fxst Manual :**

FREE California CDL Practice Test 2024 Each of our 50 multiple-choice questions is based on the California Commercial Drivers Handbook and applicable California laws. ... DMV Study Guide · DMV Practice ... Sample Commercial Drivers Written Test 2 Sample Commercial Drivers Written Test 2 · 1. You are about to go down a long, steep, downhill grade in a newer truck. · 2. Which of these items is checked in a ... Sample Commercial Drivers Written Test 1 Sample Commercial Drivers Written Test 1 · 1. A pre-trip inspection should be completed: \* Required · 2. What should you do when you are driving at night? · 3. Best way to study for the CDL permit test? : r/Truckers Your State should have a CDL test prep book. Also download the app "DMV Genie" and do the practice tests. If you have the 10 bucks, buy the app, ... California CDL Handbook 2024 Master your CA CDL test with our interactive study guide. Learn on the go with audio or get tailored support from our AI chat. Start your CDL prep now! CA CDL Practice Test (2023) - FREE CDL Knowledge Test Practice for your California CDL test. Real CDL general knowledge test questions, 100% free. Get your commercial driver's license, take your CA CDL practice ... California CDL Practice Test Preparation Our CA CDL test questions and answers cover everything you'll need to



be thoroughly prepared when you go and take the real exams. These tests are in Classic, ... CALIFORNIA CDL TEST PREP STUDY GUIDE CALIFORNIA CDL TEST PREP STUDY GUIDE: contains over 400 practice test questions and answers [Markbrown, Johnson .T] on Amazon.com. California DMV CDL Practice Test (CA) # 3 | Class B License Nail the Class B commercial license test with our California CDL practice test, FREE! Better than the book, DMV answers for general knowledge & air brakes! Out of the Fog: The Sinking of Andrea Doria A trace of the unsolved mystery seems to follow all ship sinkings through history. This interest is especially keen in the case of the collision between ... Out of the Fog : The Sinking of Andrea Doria A trace of the unsolved mystery seems to follow all ship sinkings through history. This interest is especially keen in the case of the collision between ... Out of the Fog, The Sinking of the Andrea Doria "Out of the Fog" describes the events leading up to the collision from the perspectives of both ships. The collision itself is covered as is the heroic and ... Out of the Fog: The Sinking of Andrea Doria - Hardcover A trace of the unsolved mystery seems to follow all ship sinkings through history. This interest is especially keen in the case of the collision between ... Andrea Doria - Media - Out Of The Fog Review Algot Mattsson's book, "Out of the Fog: The Sinking of the Andrea Doria" was first published in Sweden in 1986. Largely through the efforts of Gordon ... Out of the Fog: The Sinking of Andrea Doria - Algot Mattsson A trace of the unsolved mystery seems to follow all ship sinkings through history. This interest is especially keen in the case of the collision between ... Out of the Fog: The Sinking of Andrea Doria | Books MATTSSON Algot - Out of the Fog: The Sinking of Andrea Doria Cornell Maritime Press (2003) 168pp. 1st ed., fine in fine D/W. Author MATTSSON Algot. Out of the Fog: The Sinking of Andrea Doria by Algot. ... AS NEW IN DUST JACKET. Oversized hardcover. First American edition and first edition in English translation from the Swedish. 168 pp. with index. Illustrated. Out of the Fog: The Sinking of the Andrea Doria Based on: Mattsson Algot; trans. Fisher Richard E. (English translation edited by Paulsen Gordon W. and Paulsen Bruce G.), Out of the Fog: The Sinking of ... Solution Manual for Exercises for Weather and Climate Solution Manual for Exercises for Weather and Climate. 8th Edition by Carbone. ISBN 0321769651 9780321769657. Full link download Solution Manual: 8th Std - Social - Weather and Climate | Book Back Exercise Weather and Climate Science Unit Test Key DIRECTIONS: FOR EACH QUESTION, CIRCLE THE BEST ANSWER AMONG THE FOUR CHOICES ... Climate and weather are not different. b. Weather is the accumulation of climate ... 8th grade - Weather and Climate | 274 plays 8th grade - Weather and Climate quiz for 3rd grade students. Find other quizzes for and more on Quizizz for free! Atmosphere, Weather and Climate by RG Barry · Cited by 2686 — This revised and expanded eighth edition of Atmosphere, Weather and Climate will prove invaluable to all those studying the earth's ... Weather vs. Climate Many people believe that weather and climate are interchangeable words for the same definition. They actually have very different meanings! Solutions for Exercises for Weather & Climate (9th Edition) Exercises for Weather & Climate encourages readers to review important ideas and concepts of meteorology through problem solving, simulations, and guided ... Weather and Climate | Science Color By Number Engage your students

in a review of the differences between weather and climate with this 12 question color by numbers activity. Weather -  
bearkatsonline.com | ... Weather and Climate. Unauthorized usage should be reported to the copyright holder below. Eighth  
Edition 2017. The START Group. Copyright 2017 by The START ...