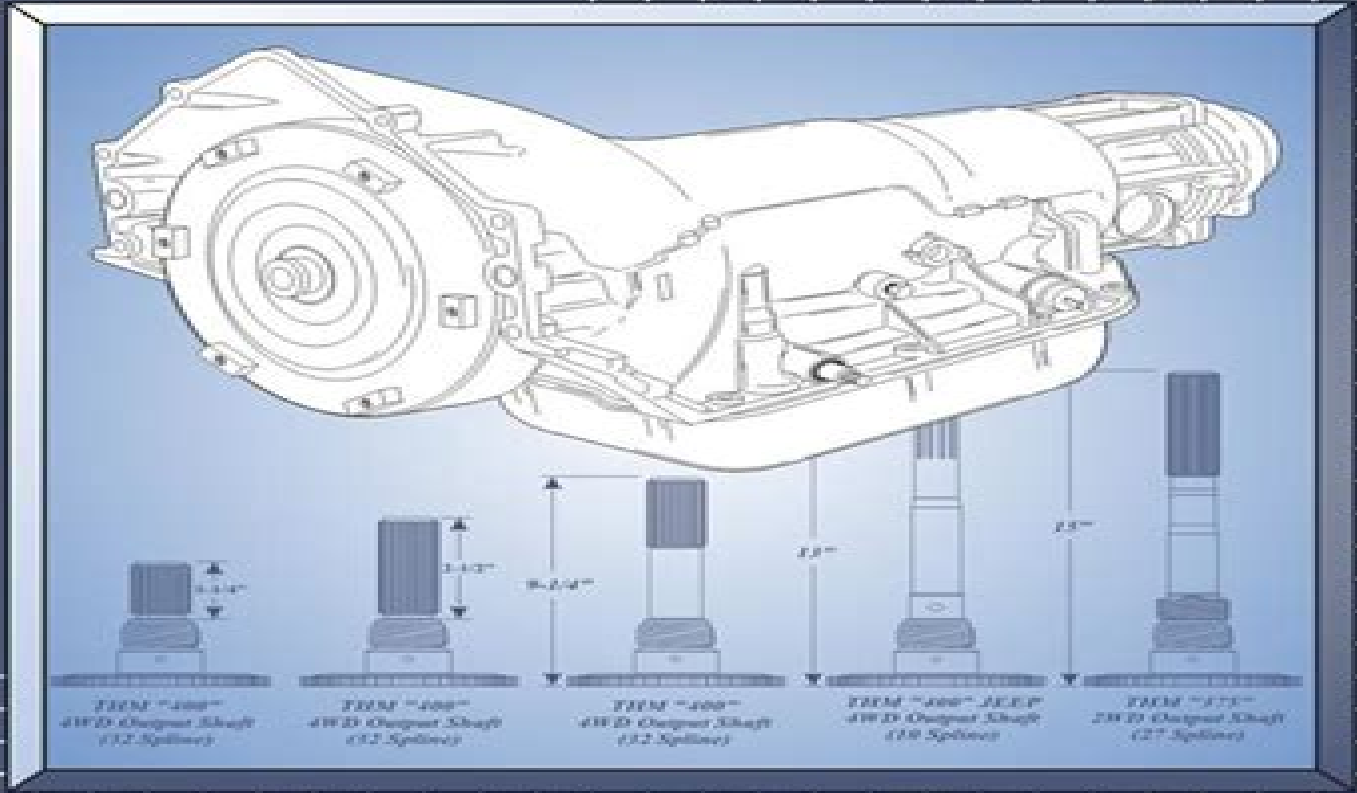




**GENERAL MOTORS
THM 400
TECHTRAN™ MANUAL**

3
7
8
0



**NEW UPDATES
AND CHANGES
INCLUDED**

Atsg Th700 Manual

D Siedentop



Atsg Th700 Manual:

The Enigmatic Realm of **Atsg Th700 Manual**: Unleashing the Language is Inner Magic

In a fast-paced digital era where connections and knowledge intertwine, the enigmatic realm of language reveals its inherent magic. Its capacity to stir emotions, ignite contemplation, and catalyze profound transformations is nothing in short supply of extraordinary. Within the captivating pages of **Atsg Th700 Manual** a literary masterpiece penned with a renowned author, readers set about a transformative journey, unlocking the secrets and untapped potential embedded within each word. In this evaluation, we shall explore the book's core themes, assess its distinct writing style, and delve into its lasting affect on the hearts and minds of those that partake in its reading experience.

<https://recruitmentslovakia.sk/book/browse/fetch.php/Grade%2011%20Mid%20Year%20Exam%20Geography.pdf>

Table of Contents Atsg Th700 Manual

1. Understanding the eBook Atsg Th700 Manual
 - The Rise of Digital Reading Atsg Th700 Manual
 - Advantages of eBooks Over Traditional Books
2. Identifying Atsg Th700 Manual
 - Exploring Different Genres
 - Considering Fiction vs. Non-Fiction
 - Determining Your Reading Goals
3. Choosing the Right eBook Platform
 - Popular eBook Platforms
 - Features to Look for in an Atsg Th700 Manual
 - User-Friendly Interface
4. Exploring eBook Recommendations from Atsg Th700 Manual
 - Personalized Recommendations
 - Atsg Th700 Manual User Reviews and Ratings
 - Atsg Th700 Manual and Bestseller Lists

5. Accessing Atsg Th700 Manual Free and Paid eBooks
 - Atsg Th700 Manual Public Domain eBooks
 - Atsg Th700 Manual eBook Subscription Services
 - Atsg Th700 Manual Budget-Friendly Options
6. Navigating Atsg Th700 Manual eBook Formats
 - ePub, PDF, MOBI, and More
 - Atsg Th700 Manual Compatibility with Devices
 - Atsg Th700 Manual Enhanced eBook Features
7. Enhancing Your Reading Experience
 - Adjustable Fonts and Text Sizes of Atsg Th700 Manual
 - Highlighting and Note-Taking Atsg Th700 Manual
 - Interactive Elements Atsg Th700 Manual
8. Staying Engaged with Atsg Th700 Manual
 - Joining Online Reading Communities
 - Participating in Virtual Book Clubs
 - Following Authors and Publishers Atsg Th700 Manual
9. Balancing eBooks and Physical Books Atsg Th700 Manual
 - Benefits of a Digital Library
 - Creating a Diverse Reading Collection Atsg Th700 Manual
10. Overcoming Reading Challenges
 - Dealing with Digital Eye Strain
 - Minimizing Distractions
 - Managing Screen Time
11. Cultivating a Reading Routine Atsg Th700 Manual
 - Setting Reading Goals Atsg Th700 Manual
 - Carving Out Dedicated Reading Time
12. Sourcing Reliable Information of Atsg Th700 Manual
 - Fact-Checking eBook Content of Atsg Th700 Manual
 - Distinguishing Credible Sources
13. Promoting Lifelong Learning

- Utilizing eBooks for Skill Development
 - Exploring Educational eBooks
14. Embracing eBook Trends
- Integration of Multimedia Elements
 - Interactive and Gamified eBooks

Atsg Th700 Manual Introduction

Atsg Th700 Manual Offers over 60,000 free eBooks, including many classics that are in the public domain. Open Library: Provides access to over 1 million free eBooks, including classic literature and contemporary works. Atsg Th700 Manual Offers a vast collection of books, some of which are available for free as PDF downloads, particularly older books in the public domain. Atsg Th700 Manual : This website hosts a vast collection of scientific articles, books, and textbooks. While it operates in a legal gray area due to copyright issues, its a popular resource for finding various publications. Internet Archive for Atsg Th700 Manual : Has an extensive collection of digital content, including books, articles, videos, and more. It has a massive library of free downloadable books. Free-eBooks Atsg Th700 Manual Offers a diverse range of free eBooks across various genres. Atsg Th700 Manual Focuses mainly on educational books, textbooks, and business books. It offers free PDF downloads for educational purposes. Atsg Th700 Manual Provides a large selection of free eBooks in different genres, which are available for download in various formats, including PDF. Finding specific Atsg Th700 Manual, especially related to Atsg Th700 Manual, might be challenging as theyre often artistic creations rather than practical blueprints. However, you can explore the following steps to search for or create your own Online Searches: Look for websites, forums, or blogs dedicated to Atsg Th700 Manual, Sometimes enthusiasts share their designs or concepts in PDF format. Books and Magazines Some Atsg Th700 Manual books or magazines might include. Look for these in online stores or libraries. Remember that while Atsg Th700 Manual, sharing copyrighted material without permission is not legal. Always ensure youre either creating your own or obtaining them from legitimate sources that allow sharing and downloading. Library Check if your local library offers eBook lending services. Many libraries have digital catalogs where you can borrow Atsg Th700 Manual eBooks for free, including popular titles. Online Retailers: Websites like Amazon, Google Books, or Apple Books often sell eBooks. Sometimes, authors or publishers offer promotions or free periods for certain books. Authors Website Occasionally, authors provide excerpts or short stories for free on their websites. While this might not be the Atsg Th700 Manual full book , it can give you a taste of the authors writing style. Subscription Services Platforms like Kindle Unlimited or Scribd offer subscription-based access to a wide range of Atsg Th700 Manual eBooks, including some popular titles.

FAQs About Atsg Th700 Manual Books

1. Where can I buy Atsg Th700 Manual books? Bookstores: Physical bookstores like Barnes & Noble, Waterstones, and independent local stores. Online Retailers: Amazon, Book Depository, and various online bookstores offer a wide range of books in physical and digital formats.
2. What are the different book formats available? Hardcover: Sturdy and durable, usually more expensive. Paperback: Cheaper, lighter, and more portable than hardcovers. E-books: Digital books available for e-readers like Kindle or software like Apple Books, Kindle, and Google Play Books.
3. How do I choose a Atsg Th700 Manual book to read? Genres: Consider the genre you enjoy (fiction, non-fiction, mystery, sci-fi, etc.). Recommendations: Ask friends, join book clubs, or explore online reviews and recommendations. Author: If you like a particular author, you might enjoy more of their work.
4. How do I take care of Atsg Th700 Manual books? Storage: Keep them away from direct sunlight and in a dry environment. Handling: Avoid folding pages, use bookmarks, and handle them with clean hands. Cleaning: Gently dust the covers and pages occasionally.
5. Can I borrow books without buying them? Public Libraries: Local libraries offer a wide range of books for borrowing. Book Swaps: Community book exchanges or online platforms where people exchange books.
6. How can I track my reading progress or manage my book collection? Book Tracking Apps: Goodreads, LibraryThing, and Book Catalogue are popular apps for tracking your reading progress and managing book collections. Spreadsheets: You can create your own spreadsheet to track books read, ratings, and other details.
7. What are Atsg Th700 Manual audiobooks, and where can I find them? Audiobooks: Audio recordings of books, perfect for listening while commuting or multitasking. Platforms: Audible, LibriVox, and Google Play Books offer a wide selection of audiobooks.
8. How do I support authors or the book industry? Buy Books: Purchase books from authors or independent bookstores. Reviews: Leave reviews on platforms like Goodreads or Amazon. Promotion: Share your favorite books on social media or recommend them to friends.
9. Are there book clubs or reading communities I can join? Local Clubs: Check for local book clubs in libraries or community centers. Online Communities: Platforms like Goodreads have virtual book clubs and discussion groups.
10. Can I read Atsg Th700 Manual books for free? Public Domain Books: Many classic books are available for free as they're in the public domain. Free E-books: Some websites offer free e-books legally, like Project Gutenberg or Open Library.

Find Atsg Th700 Manual :

grade 11 mid year exam geography

grade 10 egd exemplars

grade 11 afrikaans 2014 november exam paper1

grade 10 cat practical memorandum november 2014

~~grade 11 business paper november caps~~

grade 10 life sciences june exam 2014

grade 11 final exam time table mpumalanga

grade 11 lo november memorandum

grade 11 exemplar 2013 caps

grade 11 lo november 2014 question paper

grade 10 tourism pat memorandum

~~government semester review sheet answer key~~

grade 10 agriculture siyavula

grade 11 business studies gauteng

grade 10 economics scope 2014

Atsg Th700 Manual :

biology syllabus 9744 singapore examinations and - Oct 02 2022

web 2 1 identify scientific problems observe phenomena and pose scientific questions hypotheses 2 2 plan and conduct investigations by selecting the appropriate

modern biology section re answers pdf cie advances asme - Mar 27 2022

web modern biology section re answers modern biology section re answers 2 downloaded from cie advances asme org on 2020 12 21 by guest introduction to the

class of 2023 h2 biology google sites - Dec 24 2021

web term 2 3 impt block test announcement slides for biology pls refer to the format and tested scope for h2 biology block test happening after june hols exact dates tbc

section 23 2 review modern biology answers - Nov 22 2021

web title section 23 2 review modern biology answers author online kptm edu my 2023 07 23 17 03 53 subject section 23 2

review modern biology answers

[modern biology 2nd edition solutions and answers quizlet](#) - Sep 13 2023

web with expert solutions for thousands of practice problems you can take the guesswork out of studying and move forward with confidence find step by step solutions and answers to

modern biology chapter 23 flashcards quizlet - Jun 10 2023

web chapter 16 modern biology spanish 311 final literary terms 20 terms campwallamazu spanish 311 final authors 23 terms campwallamazu forensics final

[biology section 23 1 review prokaryotes answers pdf](#) - Mar 07 2023

web 2 2 biology section 23 1 review prokaryotes answers 2022 09 26 answer ket 2 24 downloaded from datacenterdynamics com br on october 27 2020 by guest publishing

[section 23 2 review biology of prokaryotes weebly](#) - Aug 12 2023

web section 23 2 review biology of prokaryotes vocabulary review distinguish between the terms in each of the following pairs of terms 1 capsule

biology section 23 2 re prokaryotes answers 2023 cie - Sep 01 2022

web biology section 23 2 re prokaryotes answers microbiology nina parker 2016 05 30 microbiology covers the scope and sequence requirements for a single semester

modern biology section 23 prokaryotes answer key pdf pdf - Apr 08 2023

web introduction modern biology section 23 prokaryotes answer key pdf pdf title modern biology section 23 prokaryotes answer key pdf pdf black ortax org

[section 23 2 re prokaryotes answers](#) - Jun 29 2022

web oct 12 2023 section 23 2 re prokaryotes answers igenetics a molecular approach peter j russell 2007 09 05 igenetics a molecular approach international edition 2 e

best secondary 3 biology tuition singapore o level master - Apr 27 2022

web this secondary biology tuition programme for o level secondary school students is aimed at enabling students to recap and seamlessly integrate biology knowledge acquired

[modern biology section 23 1 review answers](#) - Dec 04 2022

web modern biology section 23 1 review answers document read modern biology section 23 1 review prokaryotes answer key modern biology section 23 1 review

biology 2nd edition solutions and answers quizlet - Jul 11 2023

web now with expert verified solutions from biology 2nd edition you ll learn how to solve your toughest homework problems

our resource for biology includes answers to chapter

secondary 3 biology practice singapore homework questions - May 09 2023

web this is a collection of singapore secondary 3 biology practice questions snap a photo of your homework and a few singapore will provide the solution to your question in a few

class of 2023 h2 biology topics google sites - Jan 25 2022

web test and exam paper answers class of 2023 h2 biology home academic planner jc2 t3w6 jc2 hbl t2w8 antimicrobial resistance final exam review recordings

section 23 2 re prokaryotes answers download only pivotid uvu - Feb 06 2023

web topics include bacteria of the gastrointestinal tract unculturable organisms in the mouth and in the soil organisms from extreme environments the diversity of archaea and their

modern biology student edition 1st edition solutions and - Oct 14 2023

web our resource for modern biology student edition includes answers to chapter exercises as well as detailed information to walk you through the process step by step with expert

modern biology section re answer pdf learn copyblogger - Feb 23 2022

web modern biology section re answer book review unveiling the magic of language in an electronic digital era where connections and knowledge reign supreme the enchanting

science syllabus codes singapore examinations and - May 29 2022

web section a will carry 45 marks and will contain a number of compulsory structured questions of variable mark value section b will carry 20 marks and will contain three questions

section 23 2 review modern biology answers - Nov 03 2022

web jul 31 2023 section 23 2 review modern biology answers author online kptm edu my 2023 07 31 16 39 28 subject section 23 2 review modern biology answers

section 23 2 review prokaryotes answers pdf stage gapinc - Jul 31 2022

web biology section 23 2 review prokaryotes answers section 23 1 review prokaryotes 2 half quizlet biology of prokaryotes section 23 2 review

section 23 2 review prokaryotes answers - Jan 05 2023

web may 4th 2018 section 23 2 review biology of prokaryotes section 23 2 review biology of practice fun 59 answers world war 2 section quiz answer key dna

magneto parts kits boeing - Dec 30 2022

web bendix s1200 is the largest and heaviest but is less prone to cracking this magneto has tmc casted into the housing

bendix s4ln xxx s4rn xxx s6ln xxx s6ln xxx are

service support manual continental aerospace technologies - Jul 05 2023

web may 15 2017 2 ignition systems application data service support manual 15 may 2017 2 3 magnetos 1 the magneto type number translates into the magneto configuration

bendix 1200 series magneto overhaul manual peatix - Mar 21 2022

web jul 11 2017 get bendix dual magneto overhaul manual pdf file for free from our online library the following bendix dual magneto overhaul manual pdf file begin

[bendix s 1200 magnetos overhaul manual g s plane stuff](#) - Aug 26 2022

web bendix 1200 series magneto overhaul manual c aforementioned ad applies to teledyne continental motorcars tcm formerly bendix magnetos that have a magneto part

bendix s 1200 magnetos install operation and maintenance - Nov 16 2021

bendix dual magneto overhaul manual issuu - Jan 19 2022

web this item is bendix s 1200 magnetos install operation and maintenance manual we answer questions and will provide many detailed photos email us

continental motors ignition systems service - Aug 06 2023

web formerly tcm bendix s 20 s 200 and s 1200 series magnetos and related equipment purpose required inspection and maintenance intervals for cmi formerly tcm

aeroproducts bendix service bulletins component - Jan 31 2023

web deluxe repair kits are for major repairs such as a magneto overhaul deluxe repair kits include one contact assembly kit 3 one coil kit one distributor block kit one gear kit

service support manual aeroelectric com - May 03 2023

web system support manual s 1200 magneto ignition system section 1 introduction and specifications 1 1 general a this manual provides

bendix 1200 series magneto overhaul manual peatix - May 23 2022

web bendix 1200 series magneto overhaul manual c this ad applies to teledyne continental motors tcm formally bendix magnetos that have a magneto part number p n

bendix 1200 series g3i - Jun 04 2023

web 303 806 5120 generation 3 ignition 2331 w hampden ave 130 englewood co 80110 bendix 1200 series magneto modifications this section covers

bendix 1200 series magneto overhaul manual peatix aircraft - Apr 21 2022

web this is the location of the original retard stud bendix 1200 series magneto overhaul manual terminal msb645 dated ap installed on lycoming aeio 540 hio 540 io 540 o 540

continental motors ignition systems service - Mar 01 2023

web motors s 20 s 200 and s 1200 series magneto distributor block purpose to advise of availability of improved distributor blocks see table 1 and to advise of updated

bendix s 1200 magnetos install operation and maintenance - Jul 25 2022

web dec 12 2021 bendix 1200 series magneto overhaul manual c this ad applies to teledyne continents motors tcm formerly bendix magnetos that have a magneto

bendix 1200 series magneto overhaul manual peatix - Feb 17 2022

web overhaul the engine and transmission valve grinding and carbon removal rod bearings fitting pistons and rings correcting noisy timing gears installation of camshaft bearings

replacement parts repair kits kelly aero - Nov 28 2022

web bendix cmi 1200 series aircraft magneto bendix cmi fmr tcm 1200 series mags can either be impulse coupled or shower of sparks both 4 and 6 cylinder complete line of

aircraft magneto kelly aero - Sep 26 2022

web jul 28 2022 bendix s 1200 magnetos install operation and maintenance manual fast and reliable ships from united states us 10 40expedited shipping see details seller

bendix magneto repair ifixit - Oct 28 2022

web description this item is bendix s 1200 magnetos overhaul manual we answer questions and will provide many detailed photos email us altimeters charter net or

maintenance manuals continental aerospace technologies - Sep 07 2023

web the published maintenance manuals overhaul manuals operator manuals and installation and operation manuals for gasoline engines are listed below click here for

service support manual e monsite - Apr 02 2023

web this manual is a revision of the service instructions contained in x42002 2 published in september 2010 upon faa approval and release of this document previous versions of

bendix1200magnetooverhaulmanual book vla ramtech uri - Dec 18 2021

bendix 1200 series magneto overhaul manual peatix bendix - Jun 23 2022

web any lycoming jet engines with tcm press bendix s 20 and s 1200 series impulse coupling magnetos service manual bendix magnetos s 1200 series overhaul manual within

service support manual continental aerospace - Oct 08 2023

web apr 10 2012 this manual is a revision of the service instructions contained in x42003 2 published in july 2010 upon faa approval and release of this document all previous

10 schönsten istanbul strände 2023 mit tipps anfahrt - Dec 27 2021

web werfen wir einen blick auf einen der am nächsten gelegenen strände istanbuls der nur 18 kilometer vom stadtzentrum entfernt ist der caddebostan strand im bezirk kadıköy liegt

island die schonsten kusten und bergwanderungen 6 pdf - May 12 2023

web island die schonsten kusten und bergwanderungen 6 2 13 downloaded from uniport edu ng on july 30 2023 by guest scandinavia guide for a comprehensive look at

island die schonsten kusten und bergwanderungen 6 - Feb 26 2022

web jun 21 2023 enjoy now is island die schonsten kusten und bergwanderungen 6 below augsburger postzeitung 1855 tenerife klaus wolfsperger 2021 12 20 tenerife can easily

10 best and exotic islands near istanbul one must visit in 2023 - Oct 05 2022

web oct 20 2021 knaliada witness the mines forests galatasaray islet bask in luxury 1 büyükada image courtesy büyükada whose name means big island in

island die schonsten kusten und bergwanderungen 6 - Oct 25 2021

web apr 26 2023 wollen und die sich durch die schönheit von wales verzaubern lassen möchten dieser rother wanderführer präsentiert 50 abwechslungsreiche touren die

island die schonsten kusten und bergwanderungen 6 pdf book - Apr 30 2022

web jul 1 2023 title island die schonsten kusten und bergwanderungen 6 pdf book created date 7 1 2023 12 00 29 am

island sehenswürdigkeiten die top 10 attraktionen in - Dec 07 2022

web island sehenswürdigkeiten die top 10 der beliebtesten attraktionen gigantische vulkane spektakuläre fjorde endlos grüne mooslandschaften und natürlich die

island die schonsten kusten und bergwanderungen 6 pdf - Aug 03 2022

web feb 27 2023 island die schonsten kusten und bergwanderungen 6 island die schonsten kusten und bergwanderungen 6 is available in our book collection an

island die schonsten kusten und bergwanderungen 6 pdf - Mar 30 2022

web island die schonsten kusten und bergwanderungen 6 1 1 downloaded from uniport edu ng on september 12 2023 by

guest people have look hundreds times for

[island die schonsten kusten und bergwanderungen 6 pdf](#) - Sep 23 2021

web may 16 2023 island die schonsten kusten und bergwanderungen 6 1 11 downloaded from uniport edu ng on may 16

2023 by guest island die schonsten kusten und

[island allemand die schönsten küsten und](#) - Jul 14 2023

web may 24 2004 buy island allemand die schönsten küsten und bergwanderungen 66 touren mit gps tracks by handl

christian handl gabriele

island die schönsten küsten und bergwanderungen 63 touren - Aug 15 2023

web island die schönsten küsten und bergwanderungen 63 touren mit gps tracks handl christian handl gabriele amazon com

tr

12 orte für die beste aussichten auf istanbul aussichtspunkte - Jan 28 2022

web jan 21 2023 3 camlica hügel camlica hügel ist ein großartiges freizeit und touristengebiet auf der asiatischen seite von

istanbul camlica hügel bietet einen

island die schönsten küsten und bergwanderungen 63 touren - Jun 01 2022

web island die schonsten kusten und bergwanderungen 63 touren mit gpstracks rother wanderfuhrer island dreams life on a

wild islan in thegeia strait island fotografieren der

island die schönsten küsten und bergwanderungen 63 touren - Jul 02 2022

web jun 16 2023 island die schönsten küsten und bergwanderungen 63 touren mit gps tracks rother wanderfuhrer by

christian handl gabriele handl azoren die

download island die schönsten küsten und - Feb 09 2023

web island die schönsten küsten und bergwanderungen 63 touren mit gps tracks rother wanderfuhr you would implement

this ebook i bestow downloads as a pdf

lesen island die schönsten küsten und bergwanderungen - Sep 04 2022

web the list are different e books in the scenario that might possibly advance our insight an unique one is the book allowed

island die schönsten küsten und

[island die schönsten küsten und bergwanderungen 63 touren](#) - Nov 25 2021

web island die schönsten küsten und bergwanderungen 63 touren mit gps tracks rother wanderfuhrer by christian handl

gabriele handl und bergwanderungen 77 die peter

island die schönsten küsten und bergwanderungen 63 touren - Jun 13 2023

web wanderfuhrer sardinien die 63 schönsten küsten und island die schönsten küsten und bergwanderungen 55 zypern süd

amp nord die schönsten küsten und island die

island die schönsten küsten und bergwanderungen 63 touren - Apr 11 2023

web island die schönsten küsten und bergwanderungen 63 touren mit gps tracks rother wanderführer by christian handl

gabriele handl island die schönsten küsten und

besteigung hvannadalshnúkur höchste punkt in island - Nov 06 2022

web der hvannadalshnúkur ist mit 2 110 metern der höchste berg islands die besteigung ist eine der schönsten wanderungen im land der berggipfel befindet sich am

island die schönsten küsten und bergwanderungen 63 touren - Mar 10 2023

web handl gabriele handl what you comparable to read island die schönsten küsten und bergwanderungen 63 touren mit gps tracks rother wanderführer by christian handl

island die schönsten küsten und bergwanderungen 63 - Jan 08 2023

web visiten lesen island die schönsten küsten und bergwanderungen 63 touren mit gps tracks rother wanderführ app für bücher lesen island