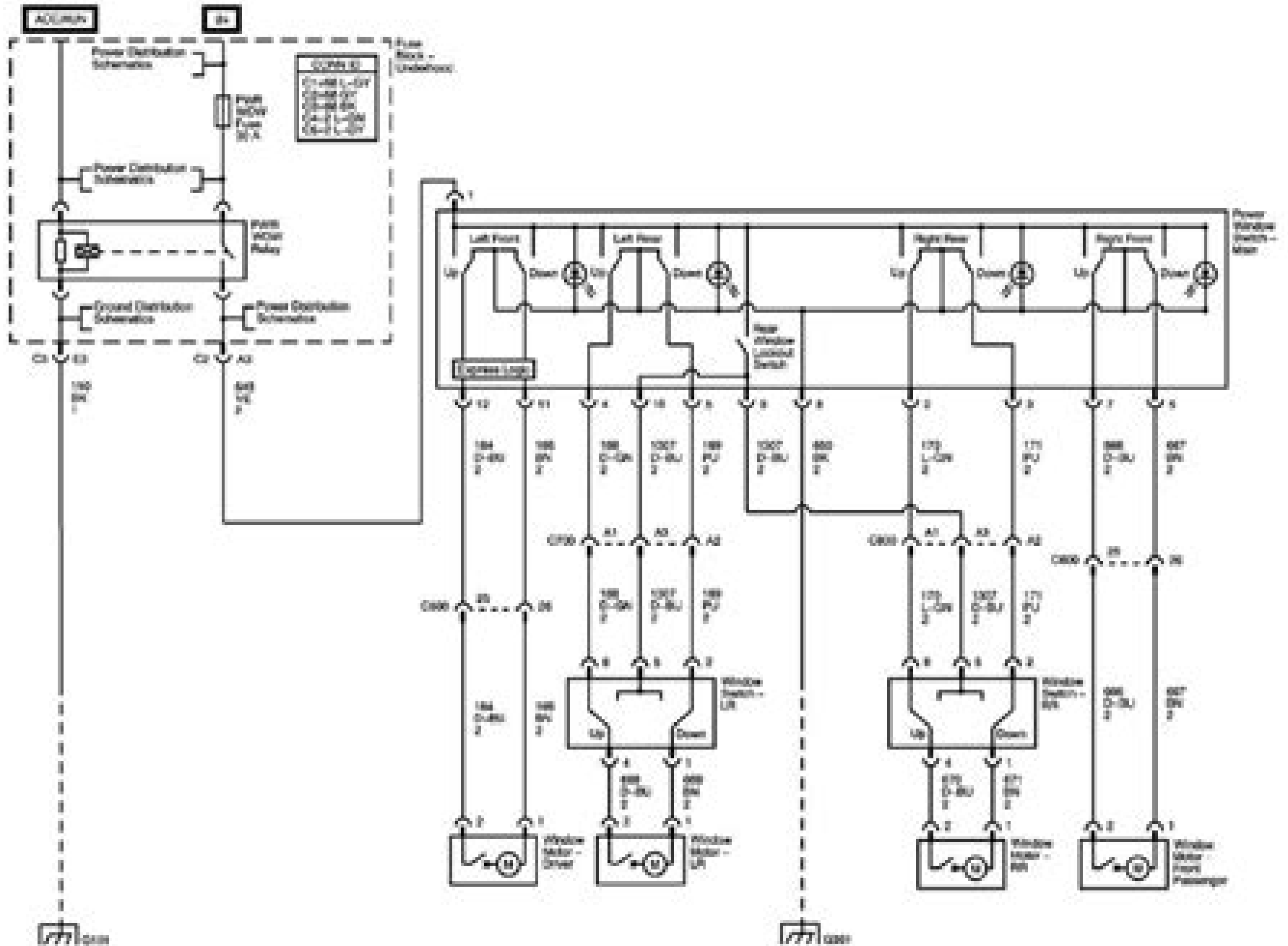


Power Window Schematics



00 Chevy Express Ignition Wiring Diagram

Rosina Ehmann



00 Chevy Express Ignition Wiring Diagram:

Decoding **00 Chevy Express Ignition Wiring Diagram**: Revealing the Captivating Potential of Verbal Expression

In an era characterized by interconnectedness and an insatiable thirst for knowledge, the captivating potential of verbal expression has emerged as a formidable force. Its ability to evoke sentiments, stimulate introspection, and incite profound transformations is genuinely awe-inspiring. Within the pages of "**00 Chevy Express Ignition Wiring Diagram**," a mesmerizing literary creation penned by way of a celebrated wordsmith, readers set about an enlightening odyssey, unraveling the intricate significance of language and its enduring affect our lives. In this appraisal, we shall explore the book is central themes, evaluate its distinctive writing style, and gauge its pervasive influence on the hearts and minds of its readership.

https://recruitmentslovakia.sk/public/detail/Download_PDFS/Daily%20Geography%20Grade%206%20Week%203%20Answers.pdf

Table of Contents 00 Chevy Express Ignition Wiring Diagram

1. Understanding the eBook 00 Chevy Express Ignition Wiring Diagram
 - The Rise of Digital Reading 00 Chevy Express Ignition Wiring Diagram
 - Advantages of eBooks Over Traditional Books
2. Identifying 00 Chevy Express Ignition Wiring Diagram
 - Exploring Different Genres
 - Considering Fiction vs. Non-Fiction
 - Determining Your Reading Goals
3. Choosing the Right eBook Platform
 - Popular eBook Platforms
 - Features to Look for in an 00 Chevy Express Ignition Wiring Diagram
 - User-Friendly Interface
4. Exploring eBook Recommendations from 00 Chevy Express Ignition Wiring Diagram
 - Personalized Recommendations

- 00 Chevy Express Ignition Wiring Diagram User Reviews and Ratings
- 00 Chevy Express Ignition Wiring Diagram and Bestseller Lists
- 5. Accessing 00 Chevy Express Ignition Wiring Diagram Free and Paid eBooks
 - 00 Chevy Express Ignition Wiring Diagram Public Domain eBooks
 - 00 Chevy Express Ignition Wiring Diagram eBook Subscription Services
 - 00 Chevy Express Ignition Wiring Diagram Budget-Friendly Options
- 6. Navigating 00 Chevy Express Ignition Wiring Diagram eBook Formats
 - ePub, PDF, MOBI, and More
 - 00 Chevy Express Ignition Wiring Diagram Compatibility with Devices
 - 00 Chevy Express Ignition Wiring Diagram Enhanced eBook Features
- 7. Enhancing Your Reading Experience
 - Adjustable Fonts and Text Sizes of 00 Chevy Express Ignition Wiring Diagram
 - Highlighting and Note-Taking 00 Chevy Express Ignition Wiring Diagram
 - Interactive Elements 00 Chevy Express Ignition Wiring Diagram
- 8. Staying Engaged with 00 Chevy Express Ignition Wiring Diagram
 - Joining Online Reading Communities
 - Participating in Virtual Book Clubs
 - Following Authors and Publishers 00 Chevy Express Ignition Wiring Diagram
- 9. Balancing eBooks and Physical Books 00 Chevy Express Ignition Wiring Diagram
 - Benefits of a Digital Library
 - Creating a Diverse Reading Collection 00 Chevy Express Ignition Wiring Diagram
- 10. Overcoming Reading Challenges
 - Dealing with Digital Eye Strain
 - Minimizing Distractions
 - Managing Screen Time
- 11. Cultivating a Reading Routine 00 Chevy Express Ignition Wiring Diagram
 - Setting Reading Goals 00 Chevy Express Ignition Wiring Diagram
 - Carving Out Dedicated Reading Time
- 12. Sourcing Reliable Information of 00 Chevy Express Ignition Wiring Diagram
 - Fact-Checking eBook Content of 00 Chevy Express Ignition Wiring Diagram

- Distinguishing Credible Sources
- 13. Promoting Lifelong Learning
 - Utilizing eBooks for Skill Development
 - Exploring Educational eBooks
- 14. Embracing eBook Trends
 - Integration of Multimedia Elements
 - Interactive and Gamified eBooks

00 Chevy Express Ignition Wiring Diagram Introduction

In the digital age, access to information has become easier than ever before. The ability to download 00 Chevy Express Ignition Wiring Diagram has revolutionized the way we consume written content. Whether you are a student looking for course material, an avid reader searching for your next favorite book, or a professional seeking research papers, the option to download 00 Chevy Express Ignition Wiring Diagram has opened up a world of possibilities. Downloading 00 Chevy Express Ignition Wiring Diagram provides numerous advantages over physical copies of books and documents. Firstly, it is incredibly convenient. Gone are the days of carrying around heavy textbooks or bulky folders filled with papers. With the click of a button, you can gain immediate access to valuable resources on any device. This convenience allows for efficient studying, researching, and reading on the go. Moreover, the cost-effective nature of downloading 00 Chevy Express Ignition Wiring Diagram has democratized knowledge. Traditional books and academic journals can be expensive, making it difficult for individuals with limited financial resources to access information. By offering free PDF downloads, publishers and authors are enabling a wider audience to benefit from their work. This inclusivity promotes equal opportunities for learning and personal growth. There are numerous websites and platforms where individuals can download 00 Chevy Express Ignition Wiring Diagram. These websites range from academic databases offering research papers and journals to online libraries with an expansive collection of books from various genres. Many authors and publishers also upload their work to specific websites, granting readers access to their content without any charge. These platforms not only provide access to existing literature but also serve as an excellent platform for undiscovered authors to share their work with the world. However, it is essential to be cautious while downloading 00 Chevy Express Ignition Wiring Diagram. Some websites may offer pirated or illegally obtained copies of copyrighted material. Engaging in such activities not only violates copyright laws but also undermines the efforts of authors, publishers, and researchers. To ensure ethical downloading, it is advisable to utilize reputable websites that prioritize the legal distribution of content. When downloading 00 Chevy Express Ignition Wiring Diagram, users should also consider the potential security risks associated with online platforms. Malicious actors may

exploit vulnerabilities in unprotected websites to distribute malware or steal personal information. To protect themselves, individuals should ensure their devices have reliable antivirus software installed and validate the legitimacy of the websites they are downloading from. In conclusion, the ability to download 00 Chevy Express Ignition Wiring Diagram has transformed the way we access information. With the convenience, cost-effectiveness, and accessibility it offers, free PDF downloads have become a popular choice for students, researchers, and book lovers worldwide. However, it is crucial to engage in ethical downloading practices and prioritize personal security when utilizing online platforms. By doing so, individuals can make the most of the vast array of free PDF resources available and embark on a journey of continuous learning and intellectual growth.

FAQs About 00 Chevy Express Ignition Wiring Diagram Books

What is a 00 Chevy Express Ignition Wiring Diagram PDF? A PDF (Portable Document Format) is a file format developed by Adobe that preserves the layout and formatting of a document, regardless of the software, hardware, or operating system used to view or print it. **How do I create a 00 Chevy Express Ignition Wiring Diagram PDF?** There are several ways to create a PDF: Use software like Adobe Acrobat, Microsoft Word, or Google Docs, which often have built-in PDF creation tools. Print to PDF: Many applications and operating systems have a "Print to PDF" option that allows you to save a document as a PDF file instead of printing it on paper. Online converters: There are various online tools that can convert different file types to PDF. **How do I edit a 00 Chevy Express Ignition Wiring Diagram PDF?** Editing a PDF can be done with software like Adobe Acrobat, which allows direct editing of text, images, and other elements within the PDF. Some free tools, like PDFescape or Smallpdf, also offer basic editing capabilities. **How do I convert a 00 Chevy Express Ignition Wiring Diagram PDF to another file format?** There are multiple ways to convert a PDF to another format: Use online converters like Smallpdf, Zamzar, or Adobe Acrobats export feature to convert PDFs to formats like Word, Excel, JPEG, etc. Software like Adobe Acrobat, Microsoft Word, or other PDF editors may have options to export or save PDFs in different formats. **How do I password-protect a 00 Chevy Express Ignition Wiring Diagram PDF?** Most PDF editing software allows you to add password protection. In Adobe Acrobat, for instance, you can go to "File" -> "Properties" -> "Security" to set a password to restrict access or editing capabilities. Are there any free alternatives to Adobe Acrobat for working with PDFs? Yes, there are many free alternatives for working with PDFs, such as: LibreOffice: Offers PDF editing features. PDFsam: Allows splitting, merging, and editing PDFs. Foxit Reader: Provides basic PDF viewing and editing capabilities. How do I compress a PDF file? You can use online tools like Smallpdf, ILovePDF, or desktop software like Adobe Acrobat to compress PDF files without significant quality loss. Compression reduces the file size, making it easier to share

and download. Can I fill out forms in a PDF file? Yes, most PDF viewers/editors like Adobe Acrobat, Preview (on Mac), or various online tools allow you to fill out forms in PDF files by selecting text fields and entering information. Are there any restrictions when working with PDFs? Some PDFs might have restrictions set by their creator, such as password protection, editing restrictions, or print restrictions. Breaking these restrictions might require specific software or tools, which may or may not be legal depending on the circumstances and local laws.

Find 00 Chevy Express Ignition Wiring Diagram :

[daily geography grade 6 week 3 answers](#)

cumulative review course 3chapter 3

damelin matric wre writes 2015

~~cumulative test career planning~~

cp physics semester two final

cut and paste word sorts digraphs

covalent bond chemthink

~~craig 7th edition answer key~~

[covalent bonding worksheet answers chapter 8](#)

cute candy cane sayings

date for joint exam ss2

[cut and pastte the pictures in order](#)

~~dbq 14 the industrial revolution responses walch~~

cursive practice paragraph

~~criticall test questions~~

00 Chevy Express Ignition Wiring Diagram :

Prentice Hall Mathematics Texas Geometry Teacher's ... Book details · Print length. 836 pages · Language. English · Publisher. Prentice Hall · Publication date. January 1, 2008 · ISBN-10. 0131340131 · ISBN-13. 978- ... Prentice Hall Mathematics: Texas Geometry Book details ; Print length. 0 pages ; Language. English ; Publisher. Prentice Hall. Inc. ; Publication date. January 1, 2008 ; ISBN-10. 0131340220. Prentice Hall Mathematics Geometry Teachers by Bass Prentice Hall Mathematics Texas Geometry Teacher's Edition by Laurie E. Bass et al and a great selection of related books, art and

collectibles available ... Prentice Hall Mathematics Texas Geometry Teacher's Edition Prentice Hall Mathematics Texas Geometry Teacher's Edition by Laurie E. Bass Et Al - ISBN 10: 0131340131 - ISBN 13: 9780131340138 - Prentice Hall - 2008 ... texas geometry book by bass, charles, hall, johnson Prentice Hall Mathmatics: Texas Geometry. by bass, charles, hall, johnson. \$10.09 ... Prentice Hall Mathematics: Algebra 2. Allan E. Bellman, Sadie Chavis Bragg ... Prentice Hall Mathmatics: Texas Geometry Rent textbook Prentice Hall Mathmatics: Texas Geometry by Unknown - 9780131340220. Price: \$24.54. Prentice Hall Mathematics Texas Geometry Teachers Edition Prentice Hall Mathematics Texas Geometry Teachers Edition - Hardcover - GOOD ; Item Number. 266344212522 ; Brand. Unbranded ; Language. English ; Book Title. Texas Geometry (Prentice Hall Mathmatics) by Bass ... Texas Geometry (Prentice Hall Mathmatics) by Bass (Hardcover) · All listings for this product · About this product · Ratings and Reviews · Best Selling in Books. Laurie E Bass | Get Textbooks Prentice Hall Mathematics Texas Geometry Teacher's Edition by Laurie E. Bass, Randall I. Charles, Basia Hall, Art Johnson, Dan Kennedy Hardcover, 874 Pages ... Christ in Concrete - Wikipedia Christ in Concrete is a 1939 novel by Pietro Di Donato about Italian-American construction workers. The book, which made Di Donato famous overnight, ... Christ in Concrete - Books - Amazon.com This book takes place in the 1920s. Although it is written as a fictional story, it is based on events that happened to the author as a boy. The main character ... Christ in Concrete - Audio Editions Written in sonorous prose that recalls the speaker's Italian origins, Pietro di Donato's Christ in Concrete is at once a powerful social document and a deeply ... Christ in Concrete Summary | GradeSaver Mar 30, 2021 — The book is based on the story of Paul, an Italian American young man, struggling to provide for his mother, Annunziata, and his siblings ... Christ in concrete : a novel - Audiobook - Learning Ally An uncompromising yet beautiful portrait of the life of Italian immigrants on the Lower East Side of Manhattan in the 1920s, Christ in Concrete is the story ... Christ in Concrete by Pietro Di Donato | Goodreads It follows an (almost) autobiographical story, heartbreaking and heartwarming, heavy on the soul and spirit. Unbelievably tragic and a beautiful book about the ... Christ in Concrete and the Failure of Catholicism Pietro DiDonato's Christ in Concrete is a powerful narrative of the struggles and culture of New York's Italian immigrant laborers in the early twentieth ... Christ in Concrete Summary and Study Guide - SuperSummary Christ in Concrete is a novel based on the real life of author Pietro di Donato, which he expanded from a short story that he placed in the magazine Esquire ... Christ in concrete : [manuscript copy of the short story and first ... 1 knew it----you have not done with me. Torture away! I can not believe you, God and Country, no longer!" His body was fast breaking under the concrete's ... Christ in Concrete - The Atlantic In his Christ in Concrete, di Donato has written an autobiographical account of his childhood amidst the immigrant laboring class. He tells of births, deaths, ... The Handbook of Global User Research The book collects insight from UX professionals from nine countries and, following a typical project timeline, presents practical insights into the preparation, ... Handbook of Global User Research This chapter is a practical guide for user researchers, user experience professionals, market researchers, product designers, and others who

conduct user ... The Handbook of Global User Research (Kobo eBook) Sep 29, 2009 — Presents the definitive collection of hard won lessons from user research professionals around the world · Includes real-world examples of global ... The Handbook of Global User Research - 1st Edition The book collects insight from UX professionals from nine countries and, following a typical project timeline, presents practical insights into the preparation, ... The Handbook of Global User Research The book collects insight from UX professionals from nine countries and, following a typical project timeline, presents practical insights into the preparation, ... The Handbook of Global User Research: | Guide books Oct 29, 2009 — Presents the definitive collection of hard won lessons from user research professionals around the world*Includes real-world examples of global ... The Handbook of Global User Research [Book] The book collects insight from UX professionals from nine countries and, following a typical project timeline, presents practical insights into the preparation, ... The Handbook of Global User Research The Handbook of Global User Research. By Robert Schumacher. About this book · Morgan Kaufmann. Pages displayed by permission of Morgan Kaufmann. Copyright. The Handbook of Global User Research by Robert ... The book collects insight from UX professionals from nine countries and, following a typical project timeline, presents practical insights into the preparation, ... The Handbook of Global User Research ... The Handbook of Global User Research is the first book to focus on global user research. The book collects insight from UX professionals from nine countries ...