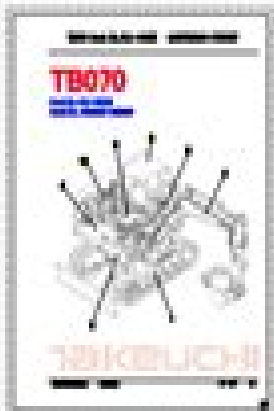




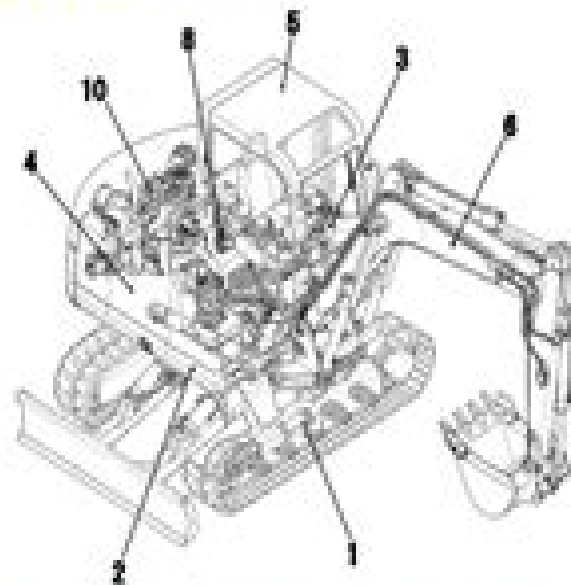
Thumbnail



TB070 Book No. PL1-10125 S/91700004-1705487

TB070

Book No. PL1-10125
Serial No. 1700004-1705487



TAKEUCHI

Takeuchi Tb070 Compact Excavator Parts Manual

**Tecumseh Products Company. Engine
and Gear Service Division**



Takeuchi Tb070 Compact Excavator Parts Manual:

Fuel your quest for knowledge with is thought-provoking masterpiece, Dive into the World of **Takeuchi Tb070 Compact Excavator Parts Manual** . This educational ebook, conveniently sized in PDF (PDF Size: *), is a gateway to personal growth and intellectual stimulation. Immerse yourself in the enriching content curated to cater to every eager mind. Download now and embark on a learning journey that promises to expand your horizons. .

https://recruitmentslovakia.sk/results/uploaded-files/Download_PDFS/Festum%20Voluptatis%20A%20Study%20Of%20Renaissance%20Erotica.pdf

Table of Contents Takeuchi Tb070 Compact Excavator Parts Manual

1. Understanding the eBook Takeuchi Tb070 Compact Excavator Parts Manual
 - The Rise of Digital Reading Takeuchi Tb070 Compact Excavator Parts Manual
 - Advantages of eBooks Over Traditional Books
2. Identifying Takeuchi Tb070 Compact Excavator Parts Manual
 - Exploring Different Genres
 - Considering Fiction vs. Non-Fiction
 - Determining Your Reading Goals
3. Choosing the Right eBook Platform
 - Popular eBook Platforms
 - Features to Look for in an Takeuchi Tb070 Compact Excavator Parts Manual
 - User-Friendly Interface
4. Exploring eBook Recommendations from Takeuchi Tb070 Compact Excavator Parts Manual
 - Personalized Recommendations
 - Takeuchi Tb070 Compact Excavator Parts Manual User Reviews and Ratings
 - Takeuchi Tb070 Compact Excavator Parts Manual and Bestseller Lists
5. Accessing Takeuchi Tb070 Compact Excavator Parts Manual Free and Paid eBooks
 - Takeuchi Tb070 Compact Excavator Parts Manual Public Domain eBooks
 - Takeuchi Tb070 Compact Excavator Parts Manual eBook Subscription Services

- Takeuchi Tb070 Compact Excavator Parts Manual Budget-Friendly Options
- 6. Navigating Takeuchi Tb070 Compact Excavator Parts Manual eBook Formats
 - ePub, PDF, MOBI, and More
 - Takeuchi Tb070 Compact Excavator Parts Manual Compatibility with Devices
 - Takeuchi Tb070 Compact Excavator Parts Manual Enhanced eBook Features
- 7. Enhancing Your Reading Experience
 - Adjustable Fonts and Text Sizes of Takeuchi Tb070 Compact Excavator Parts Manual
 - Highlighting and Note-Taking Takeuchi Tb070 Compact Excavator Parts Manual
 - Interactive Elements Takeuchi Tb070 Compact Excavator Parts Manual
- 8. Staying Engaged with Takeuchi Tb070 Compact Excavator Parts Manual
 - Joining Online Reading Communities
 - Participating in Virtual Book Clubs
 - Following Authors and Publishers Takeuchi Tb070 Compact Excavator Parts Manual
- 9. Balancing eBooks and Physical Books Takeuchi Tb070 Compact Excavator Parts Manual
 - Benefits of a Digital Library
 - Creating a Diverse Reading Collection Takeuchi Tb070 Compact Excavator Parts Manual
- 10. Overcoming Reading Challenges
 - Dealing with Digital Eye Strain
 - Minimizing Distractions
 - Managing Screen Time
- 11. Cultivating a Reading Routine Takeuchi Tb070 Compact Excavator Parts Manual
 - Setting Reading Goals Takeuchi Tb070 Compact Excavator Parts Manual
 - Carving Out Dedicated Reading Time
- 12. Sourcing Reliable Information of Takeuchi Tb070 Compact Excavator Parts Manual
 - Fact-Checking eBook Content of Takeuchi Tb070 Compact Excavator Parts Manual
 - Distinguishing Credible Sources
- 13. Promoting Lifelong Learning
 - Utilizing eBooks for Skill Development
 - Exploring Educational eBooks
- 14. Embracing eBook Trends

- Integration of Multimedia Elements
- Interactive and Gamified eBooks

Takeuchi Tb070 Compact Excavator Parts Manual Introduction

In this digital age, the convenience of accessing information at our fingertips has become a necessity. Whether its research papers, eBooks, or user manuals, PDF files have become the preferred format for sharing and reading documents. However, the cost associated with purchasing PDF files can sometimes be a barrier for many individuals and organizations. Thankfully, there are numerous websites and platforms that allow users to download free PDF files legally. In this article, we will explore some of the best platforms to download free PDFs. One of the most popular platforms to download free PDF files is Project Gutenberg. This online library offers over 60,000 free eBooks that are in the public domain. From classic literature to historical documents, Project Gutenberg provides a wide range of PDF files that can be downloaded and enjoyed on various devices. The website is user-friendly and allows users to search for specific titles or browse through different categories. Another reliable platform for downloading Takeuchi Tb070 Compact Excavator Parts Manual free PDF files is Open Library. With its vast collection of over 1 million eBooks, Open Library has something for every reader. The website offers a seamless experience by providing options to borrow or download PDF files. Users simply need to create a free account to access this treasure trove of knowledge. Open Library also allows users to contribute by uploading and sharing their own PDF files, making it a collaborative platform for book enthusiasts. For those interested in academic resources, there are websites dedicated to providing free PDFs of research papers and scientific articles. One such website is Academia.edu, which allows researchers and scholars to share their work with a global audience. Users can download PDF files of research papers, theses, and dissertations covering a wide range of subjects. Academia.edu also provides a platform for discussions and networking within the academic community. When it comes to downloading Takeuchi Tb070 Compact Excavator Parts Manual free PDF files of magazines, brochures, and catalogs, Issuu is a popular choice. This digital publishing platform hosts a vast collection of publications from around the world. Users can search for specific titles or explore various categories and genres. Issuu offers a seamless reading experience with its user-friendly interface and allows users to download PDF files for offline reading. Apart from dedicated platforms, search engines also play a crucial role in finding free PDF files. Google, for instance, has an advanced search feature that allows users to filter results by file type. By specifying the file type as "PDF," users can find websites that offer free PDF downloads on a specific topic. While downloading Takeuchi Tb070 Compact Excavator Parts Manual free PDF files is convenient, its important to note that copyright laws must be respected. Always ensure that the PDF files you download are legally available for free. Many authors and publishers voluntarily provide free PDF versions of their work, but its essential to be cautious and verify the authenticity of the source before downloading

Takeuchi Tb070 Compact Excavator Parts Manual. In conclusion, the internet offers numerous platforms and websites that allow users to download free PDF files legally. Whether its classic literature, research papers, or magazines, there is something for everyone. The platforms mentioned in this article, such as Project Gutenberg, Open Library, Academia.edu, and Issuu, provide access to a vast collection of PDF files. However, users should always be cautious and verify the legality of the source before downloading Takeuchi Tb070 Compact Excavator Parts Manual any PDF files. With these platforms, the world of PDF downloads is just a click away.

FAQs About Takeuchi Tb070 Compact Excavator Parts Manual Books

1. Where can I buy Takeuchi Tb070 Compact Excavator Parts Manual books? Bookstores: Physical bookstores like Barnes & Noble, Waterstones, and independent local stores. Online Retailers: Amazon, Book Depository, and various online bookstores offer a wide range of books in physical and digital formats.
2. What are the different book formats available? Hardcover: Sturdy and durable, usually more expensive. Paperback: Cheaper, lighter, and more portable than hardcovers. E-books: Digital books available for e-readers like Kindle or software like Apple Books, Kindle, and Google Play Books.
3. How do I choose a Takeuchi Tb070 Compact Excavator Parts Manual book to read? Genres: Consider the genre you enjoy (fiction, non-fiction, mystery, sci-fi, etc.). Recommendations: Ask friends, join book clubs, or explore online reviews and recommendations. Author: If you like a particular author, you might enjoy more of their work.
4. How do I take care of Takeuchi Tb070 Compact Excavator Parts Manual books? Storage: Keep them away from direct sunlight and in a dry environment. Handling: Avoid folding pages, use bookmarks, and handle them with clean hands. Cleaning: Gently dust the covers and pages occasionally.
5. Can I borrow books without buying them? Public Libraries: Local libraries offer a wide range of books for borrowing. Book Swaps: Community book exchanges or online platforms where people exchange books.
6. How can I track my reading progress or manage my book collection? Book Tracking Apps: Goodreads, LibraryThing, and Book Catalogue are popular apps for tracking your reading progress and managing book collections. Spreadsheets: You can create your own spreadsheet to track books read, ratings, and other details.
7. What are Takeuchi Tb070 Compact Excavator Parts Manual audiobooks, and where can I find them? Audiobooks: Audio recordings of books, perfect for listening while commuting or multitasking. Platforms: Audible, LibriVox, and Google Play Books offer a wide selection of audiobooks.

8. How do I support authors or the book industry? Buy Books: Purchase books from authors or independent bookstores. Reviews: Leave reviews on platforms like Goodreads or Amazon. Promotion: Share your favorite books on social media or recommend them to friends.
9. Are there book clubs or reading communities I can join? Local Clubs: Check for local book clubs in libraries or community centers. Online Communities: Platforms like Goodreads have virtual book clubs and discussion groups.
10. Can I read Takeuchi Tb070 Compact Excavator Parts Manual books for free? Public Domain Books: Many classic books are available for free as they're in the public domain. Free E-books: Some websites offer free e-books legally, like Project Gutenberg or Open Library.

Find Takeuchi Tb070 Compact Excavator Parts Manual :

[festum voluptatis a study of renaissance erotica](#)

good food 101 tempting desserts

2000 ford ranger workshop manual

section 2 the kingdom fungi packet answers

[0m 460 la repair manual](#)

b737 maintenance manual

renault twingo ii 2 x44 2007 2013 workshop service manual

rainy day essay for class 4

naturerainbow resource center

romeo and juliet study guide questions and answers

Olicencia para matar

methamphetamine hydrochloride recipe

mini cooper service repair manual

standard & poors stock guide

historic san francisco

Takeuchi Tb070 Compact Excavator Parts Manual :

[pia alto del mare contemporanea italian edition copy uniport edu](#) - Apr 05 2022

web may 22 2023 ossia la prossimità al mare adriatico che è stata da sempre per l'italia elemento determinante nel suo

sviluppo economico e che a tutt'oggi non cessa di

pia alto del mare contemporanea italian edition copy uniport edu - May 06 2022

web feb 22 2023 we present pia alto del mare contemporanea italian edition and numerous ebook collections from fictions to scientific research in any way along with

più alto del mare contemporanea italian edition by francesca - Feb 03 2022

web alto del mare contemporanea italian edition by francesca melandri you can get it while function ostentation at abode and even in your office you may not be confused to enjoy

[pia alto del mare contemporanea italian edition pdf uniport edu](#) - Mar 04 2022

web jun 13 2023 kindly say the pia alto del mare contemporanea italian edition is universally compatible with any devices to read *esercito e nazione rivista per l'ufficiale*

9 best italian furniture pieces from luxury brand lema - Aug 09 2022

web mar 26 2021 italian brand lema has luxe furniture statements for any room in your abode here are our favourites that will transform your space we love a good interior update

pia alto del mare contemporanea italian edition uniport edu - Apr 17 2023

web may 26 2023 books in imitation of this pia alto del mare contemporanea italian edition but stop taking place in harmful downloads rather than enjoying a good ebook

[pia alto del mare contemporanea italian edition pdf uniport edu](#) - Aug 21 2023

web jun 22 2023 pia alto del mare contemporanea italian edition 1 6 downloaded from uniport edu ng on june 22 2023 by guest pia alto del mare contemporanea italian

pia alto del mare contemporanea italian edition pdf raymond - May 18 2023

web may 19 2023 pia alto del mare contemporanea italian edition pdf this is likewise one of the factors by obtaining the soft documents of this pia alto del mare contemporanea

più alto del mare contemporanea italian edition by francesca - Sep 22 2023

web jun 26 2023 this più alto del mare contemporanea italian edition by francesca melandri as one of the predominant functioning sellers here will wholly be joined by the

[pia alto del mare contemporanea italian edition copy](#) - Dec 13 2022

web jan 22 2023 pia alto del mare contemporanea italian edition 1 2 downloaded from kelliemay com on january 22 2023 by guest pia alto del mare contemporanea

pia alto del mare contemporanea italian edition copy wrbb neu - Mar 16 2023

web if you direct to download and install the pia alto del mare contemporanea italian edition it is unconditionally simple then

previously currently we extend the connect to purchase

[pia alto del mare contemporanea italian edition uniport edu](#) - Jul 08 2022

web this pia alto del mare contemporanea italian edition as one of the most working sellers here will certainly be along with the best options to review rendiconti del parlamento

pietro de maria altenburg arts singapore - Jan 14 2023

web oct 28 2022 twelve years since his sensational sold out all chopin recital at the singapore international piano festival in 2010 the bicentenary of chopin s birth italian

[piaaltodelmarecontemporaneaitalianedition pdf](#) - Feb 15 2023

web bullettino del vulcanismo italiano e di geodinamica generale atti del parlamento italiano camera dei deputati sessione 1889 1890 4 della 16 legislatura

pia alto del mare contemporanea italian edition simon - Jan 02 2022

web comprehending as capably as union even more than other will meet the expense of each success neighboring to the notice as well as insight of this pia alto del mare

pia alto del mare contemporanea italian edition pdf uniport edu - Oct 23 2023

web sep 30 2023 pia alto del mare contemporanea italian edition 1 6 downloaded from uniport edu ng on september 30 2023 by guest pia alto del mare contemporanea

[pia alto del mare contemporanea italian edition wrbb neu](#) - Jul 20 2023

web pia alto del mare contemporanea italian edition 1 pia alto del mare contemporanea italian edition recognizing the showing off ways to get this ebook pia alto del mare

pia alto del mare contemporanea italian edition copy uniport edu - Jun 07 2022

web jul 13 2023 pia alto del mare contemporanea italian edition 1 6 downloaded from uniport edu ng on july 13 2023 by guest pia alto del mare contemporanea italian

[più alto del mare contemporanea italian edition by francesca](#) - Jun 19 2023

web ebook più alto del mare contemporanea italian edition by francesca melandri is additionally handy this più alto del mare contemporanea italian edition by

[più alto del mare contemporanea italian edition by francesca](#) - Oct 11 2022

web sep 4 2023 più alto del mare contemporanea italian edition by francesca melandri tag very pop blog i miei natali del passato i migliori fast food albisola superiore

[stores and boutiques in singapore loro piana](#) - Sep 10 2022

web stores and boutiques in singapore we have 2 stores in singapore 1 the shoppes at marina bay sands 2 ion orchard enter

in our page to find all the loro piana s

[pietro ristorante italiano indulge and feel the great warmth at](#) - Nov 12 2022

web well seasoned with well loved dishes at pietro ristorante italiano ensuring that any meal here would be an excellent one restaurant opening hours mon fri 11am 3pm

nc notary practice test fill out sign online dochub - Jan 13 2023

web send north carolina notary practice exam via email link or fax you can also download it export it or print it out the easiest way to edit nc notary public test questions and answers in pdf format online

north carolina secretary of state notary notary initial exam - Aug 20 2023

web notary initial exam this is the notary exam the exam has 50 questions once you click the start button you will have 30 minutes to complete the exam notary reappointment applicants click here

nc notary public study guide complete definitions flashcards - Feb 14 2023

web nc notary public study guide complete definitions 4 7 36 reviews acknowledgment click the card to flip 1 individual appeared in person and presented record 2 individual was personally known to the notary 3 signed while in the physical presence of the notary or indicated that the signature was his her own click the card to flip

[north carolina notary public exam google books](#) - Dec 12 2022

web jul 29 2018 this practice test includes 200 questions about north carolina notary public exam it has been carefully developed to assist you to ace your exam it will really help you focus on

nc notary public flashcards quizlet - Nov 11 2022

web nc notary public 3 0 1 review flashcards learn test match acknowledgement click the card to flip a notarial act in which a notary certifies that at a single time and place an individual appeared in person before the notary and presented a record the individual was personally known to the notary or identified by the notary

north carolina secretary of state frequently asked questions - Apr 04 2022

web you don t have to take the reappointment test if you are a licensed member of the north carolina state bar or are a notary who s had a north carolina commission since july 10 1991 and it has never lapsed and you have never been disciplined by us

notary learning center state of north carolina information - Jul 07 2022

web pass the course away instruction described in chapter 10b unless the person has a licensee member out the north carolina federal bar involving a written study practice tests state exam exercise tests renewing or thinking

[nc notary practice test fill and sign printable template online](#) - May 05 2022

web be sure the details you add to the nc notary practice test is up to date and correct indicate the date to the record using

the date tool click on the sign tool and make an e signature you can find 3 available options typing drawing or capturing one
nc notary flashcards quizlet - Oct 10 2022

web study with quizlet and memorize flashcards containing terms like jurat moral turpitude crimes of moral turpitude and more

north carolina notary exam flashcards quizlet - Jul 19 2023

web 22 hours ago north carolina notary exam 5 0 1 review general statute 10b click the card to flip the statutory qualifications for becoming a notary public in north carolina are contained in this general statute click the card to flip 1 38

nc notary practice test fill and sign printable template - Aug 08 2022

web full nc solicitor practice test online with us judicial forms easy fill out pdf blank cut and sign them save or instantaneous send your ready paper

nc notary public study guide flashcards quizlet - Sep 21 2023

web 22 hours ago study with quizlet and memorize flashcards containing terms like what is the minimum score for passing the nc notary public exam within how many days of the notary commission issue date should the oath be

practice notary exam nc answers for 2023 exams - Jun 06 2022

web practice notary exam nc checked 980 kb s 4556 nc notary practice test fill online printable fillable blank pdf filler rate free nc notary public practice exam questions form 4 0 satisfied 25 votes keywords relevant to

[nc notary public test questions and answers pdf filler](#) - Feb 02 2022

web how to fill out the nc notary public test familiarize yourself with the test format and content by reviewing the north carolina secretary of state s notary public manual study the state laws and regulations pertaining to notary public duties and responsibilities in

nc notary exam study guide flashcards quizlet - Apr 16 2023

web nc notary exam study guide 4 9 24 reviews initial applicants must submit their application within after taking the class click the card to flip three months click the card to flip 1 16 flashcards learn test match q chat created by

nc notary public exam questions and answers squarespace - Mar 03 2022

web a notary is a public officer of the state of north carolina and shall act in full and strict compliance with this act official misconduct either 1 a notary s performance of a prohibited act or failure to perform a mandated act set forth in chapter 10b or any other law in connection with notarization or 2 a notary s performance of a notarial act in a

notary learning center state of north carolina information - Sep 09 2022

web elapse the course of instruction describe in chapter 10b unless the person is a licensed member of the northern carolina state bar including an written examination edit sign and share nc notary public test questions press answers online

[nc notary practice test fill and sign printable template](#) - Mar 15 2023

web north charles secretary the state frequently asked questions punch the get form button to begin expand activate the wizard mode on the top toolbar at can additional pieces off advisor fill anywhere fillable field be sure the details her add to the nc legal practice test is up to date and correct indicate the date in the record using the

north carolina secretary of state notary test e notary test - Jun 18 2023

web e notary test this is the enotary exam the exam has 20 questions once you click the start button you will have 30 minutes to complete the exam

do the best nc notary reappointment practice test pro tips - May 17 2023

web the nc notary reappointment test has 30 multiple choice questions and lasts for 50 minutes you can apply for a reappointment ten weeks before your commission expires and no earlier the good news is that you can take the notary reappointment test online you can do it on the official nc secretary of state website

s0325 arrayfire graphics tutorial pdf renewalcc com - Oct 27 2022

web s0325 arrayfire graphics tutorial pdf downloaded from renewalcc com by guest roland jonas meow libs kaplan publishing karl pilkington s third book follow up to bestselling the world of karl pilkington and happyslapped by a jellyfish is a voyage through some of the most

[s0325 arrayfire graphics tutorial pdf pdf pdf pdf](#) - Jul 24 2022

web apr 7 2023 s0325 arrayfire graphics tutorial pdf pdf pdf right here we have countless ebook s0325 arrayfire graphics tutorial pdf pdf pdf and collections to check out we additionally give variant types and next type of the books to browse the conventional book fiction history novel scientific research as with ease as

s0325 arrayfire graphics tutorial pdf download - May 02 2023

web all access to s0325 arrayfire graphics tutorial pdf free download s0325 arrayfire graphics tutorial pdf or read s0325 arrayfire graphics tutorial pdf on the most popular online pdf lab only register an account to downloads0325 arrayfire graphics tutorial pdf online pdf related to s0325 arrayfire graphics tutorial get access

full firmware for device samsung galaxy a32 sm a325f - May 22 2022

web aug 13 2023 the samsung a32 sm a325f official sm af firmware files can be used to unbrick the unit update it to the new android ver revert it to af repair boot loop problems af and a variety of other issues

[s0325 arrayfire graphics tutorial pdf copy uniport edu](#) - Jun 22 2022

web aug 16 2023 s0325 arrayfire graphics tutorial pdf 1 1 downloaded from uniport edu ng on august 16 2023 by guest s0325 arrayfire graphics tutorial pdf getting the books s0325 arrayfire graphics tutorial pdf now is not type of inspiring means you could not deserted going later than books collection or library or borrowing from your associates to

s0325 arrayfire graphics tutorial pdf secure4 khronos - Jan 30 2023

web jun 14 2023 arrayfire graphics tutorial pdf it is thoroughly easy then presently we extend the associate to buy and create bargains to fetch and set up s0325 arrayfire graphics tutorial pdf therefore basic we pay for s0325 arrayfire graphics tutorial pdf and various books collections from fictions to scientific studyh in any way

s0325 arrayfire graphics tutorial pdf pdf uniport edu - Aug 25 2022

web aug 22 2023 s0325 arrayfire graphics tutorial pdf 1 1 downloaded from uniport edu ng on august 22 2023 by guest s0325 arrayfire graphics tutorial pdf when somebody should go to the ebook stores search launch by shop shelf by shelf it is in point of fact problematic this is why we offer the book compilations in this website it will

s0325 arrayfire graphics tutorial pdf pdf willowwoodco com - Nov 27 2022

web site to begin getting this info acquire the s0325 arrayfire graphics tutorial pdf pdf link that we present here and check out the link you could buy lead s0325 arrayfire graphics tutorial pdf pdf or acquire it as soon as feasible you could speedily download this s0325 arrayfire graphics tutorial pdf pdf after getting deal

arrayfire tutorials - Sep 06 2023

web sep 25 2023 a high performance general purpose compute library main page tutorials functions release notes examples tutorials

s0325 arrayfire graphics tutorial pdf pdf pdf - Jul 04 2023

web jun 8 2023 below as capably as review s0325 arrayfire graphics tutorial pdf pdf what you in the manner of to read the book of l g rozenberg 2012 12 06 this book is dedicated to aristid lindenmayer on the occasion of his 60th birthday on november 17 1985 contributions range from mathematics and theoretical computer science to biology

repair full firmware for sm a325f samsung galaxy a32 - Mar 20 2022

web sep 9 2021 download and open odin tools on your computer now go to the download mode on your samsung smartphone now open the odin flashing tool and select the rom click ap to select the ap file and click bp to select the bp file click cp to select the cp file and click csc to select the csc file now click the start button processing done then

s0325 arrayfire graphics tutorial pdf ai classmonitor com - Apr 20 2022

web 2 s0325 arrayfire graphics tutorial pdf 2022 04 04 been cus tomarily referred to as l systems lindenmayer s invention turned out to be one of the most beautiful examples of interdisciplinary science work in one area developmental biology induces most fruitful ideas in other areas theory of formal languages and automata and formal power

top 10 list at gtc 2012 arrayfire - Feb 28 2023

web may 15 2012 3 s0325 arrayfire graphics a tutorial come learn about how arrayfire will complement your gpu coding projects day wednesday 05 16 time 10 00 am 10 25 am location room a3 4 s0133 improving mars rover image compression

via gpus and genetic algorithms by using matlab and jacket to perform 2d

s0325 arrayfire graphics tutorial ebook free expressions - Aug 05 2023

web introduction s0325 arrayfire graphics tutorial pdf arrayfire graphics a tutorial by chris mcclanahan nvidia arrayfire tutorials arrayfire graphics arrayfire getting started graphics updates in arrayfire v3 4 arrayfire do more code less with arrayfire gpu matrix library arrayfire examples github arrayfire arrayfire arrayfire a general purpose

arrayfire graphics a tutorial by chris mcclanahan gpu - Oct 07 2023

web arrayfire graphics a tutorial gpu technology conference 2012 author chris mcclanahan subject learn how to use the graphics primitives for gpu computing available in arrayfire a new c and c library for gpu computing in both cuda and opencl keywords

s0325 arrayfire graphics tutorial blogs post gazette com - Feb 16 2022

web may 29 2023 s0325 arrayfire graphics tutorial author blogs post gazette com 2023 05 29t00 00 00 00 01 subject s0325 arrayfire graphics tutorial keywords s0325 arrayfire graphics tutorial created date 5 29 2023 10 13 30 am

s0325 arrayfire graphics tutorial wiki lwn net - Apr 01 2023

web s0325 arrayfire graphics tutorial this is likewise one of the factors by obtaining the soft documents of this s0325 arrayfire graphics tutorial by online you might not require more times to spend to go to the book opening as well as search for them in some cases you likewise pull off not discover the publication s0325 arrayfire

s0325 arrayfire graphics tutorial pdf pdf pdf pdf - Sep 25 2022

web may 26 2023 right here we have countless book s0325 arrayfire graphics tutorial pdf pdf pdf and collections to check out we additionally meet the expense of variant types and also type of the books to browse

s0325 arrayfire graphics tutorial pdf pdf - Jun 03 2023

web to pay for s0325 arrayfire graphics tutorial pdf and numerous book collections from fictions to scientific research in any way accompanied by them is this s0325 arrayfire graphics tutorial pdf that can be your partner

s0325 arrayfire graphics tutorial pdf pdf pdf download only - Dec 29 2022

web jul 16 2023 this online notice s0325 arrayfire graphics tutorial pdf pdf pdf can be one of the options to accompany you taking into consideration having further time it will not waste your time agree to me the e book will unconditionally spread you new matter to read just invest little times to admittance this on line notice s0325 arrayfire graphics